



*Catalog 2300 Series*

9000

EP-RP

EW

EW-EP

EK

K400

EY

G400

TWIN WHEEL  
CASTERS

100-500

400-7700

1400-3400

H1400-3400

HX1200-HX3200

HX1400-HX3400

HX2400

**Creating solutions for  
all your mobility needs!**

HX400-HX700

HX1000-KP3300

KPHX1400-  
KPHX3400

KP1500-KP3500





As one of the world's premiere caster manufacturers, Faultless provides casters and wheels for nearly every mobility purpose—more than 10,000 different high-quality caster combinations. Our mission at Faultless, Faultless-Nutting, and Rhombus continues to be a driving force:

“To design, manufacture, and market casters and other mobility product at acceptable quality levels that solve problems and add high value to our customer's products.”

Faultless Caster has been specializing in its field since 1889, when Bernard H. Noelting founded it at his retail hardware store in Nebraska City, Nebraska. After perfecting a “faultless” caster, Noelting moved his growing business to Evansville, Indiana in 1913, to be close to what was then one of the world's leading centers for furniture production.

Perfecting a “faultless” caster was only the beginning. The product design engineering staff began developing new and modifying existing casters to achieve improved performance, cost savings, or both. Over the years, the product line has expanded to include industrial casters, non-powered material handling trucks, air cargo, business machines, medical and institutional, and sanitary maintenance. Faultless currently has the strongest and broadest product line in the industry.

The breadth of Faultless' product line and our commitment to quality has enabled us to remain successful for over 110 years. Our engineers, backed with over 100 years of experience in caster design and testing, utilize the latest technologies, including Auto Cad (over 10,000 prints) and Pro-E, which include 3-D modeling of parts and assemblies, Finite Element Analysis (FEA) of models, and a Stereo Lithographic Apparatus (SLA). The SLA machine is capable of laser curing a functional model in a thermo-set resin to within +/- .005” tolerance in only a few hours. Once a caster has completed the design phase, our state-of-the-art test lab is used for both static and dynamic testing of casters and components. This complete testing facility tests up to a 20,000-lb. load capacity.

Faultless—where technology and experience solve your mobility needs!



# TABLE OF CONTENTS

Faultless History	2	Caster Information	12-13
Visual Caster Guide	4-5	Caster Mounting Application	14
Accessories	6-9	How to Select the Right Caster	15
Caster Application	10-11		

## Caster Series

Caster Numbering System	16, 30	800-8700 Series	37
9000 Series	17	S800-S8700 Stainless Series	38
EP-RP Series	18-19	1400-3400 Series/Stainless Steel	39-43
Plastic Caster Series	20	H1400-H3400	44-45
EW Series	21	HX1200-HX3200	46-47
EW-EP-EY Dual/Wide Wheel Series	22	HX1300-HX3300	48-49
EK Series	23	HX1400-HX3400	50-51
K400 Series	23	HX1500-HX3500	52-53
EY Series	24	HX1600-HX3600	54-55
G400 Series	24	KPL1400-KPL3400	56-57
Twin Wheel Casters	25, 26	KP1400-KP3400	58-59
Special Socket	27	KP1300-KP3300	60-61
Sockets	28-29	KPHX1400-KPHX3400	62-63
100-500 Series	32-33	KP1500-KP3500	64-65
400-7700 Series	34-36		

## Wheels

Wheel Selection Guide	66-67	Drop Forged Wheel	77
RT Wheels	68-69	Sintered Iron	77
Dyna-Tred II TPR	69	Polyflex	78
Dyna-Tred TPR	70	Duraflex	79
Dyna-Tred PU	71	Pneumatic	79
Super K	72	Soft Rubber	80
K Wheel	73	Hard Rubber	81
Duro-Tred Vulcanized	74	Phenolic	82
Vulcanized Rubber Tread	75	Wheel Bearings Selection	83
Cast Iron	76		

## Specialty Casters

Pneumatic Air Faultless Casters	84	Shock Absorbing Casters	89-90
Scaffold Casters	85	Floor Truck Locks	91
Airline Conveyor/Air Cargo	86-87	Mover's Dollies	92
Business Machine Casters	88	Nutting	93-95

## Faultless/Rhombus (Blue Section)

Directional & Total Lock Casters	96-116
----------------------------------	--------

# VISUAL CASTER GUIDE



Caster  
Accessories  
Page 6-9



Furniture Casters  
70 - 150 Lbs.  
Page 17-21



Institutional Casters  
70 - 325 Lbs.  
Page 22-24



Twin Wheel Casters  
50 - 140 Lbs.  
Page 25-26



Sockets &  
Brackets  
Page 27-29



General Duty  
100/500  
90 - 450 Lbs.  
Page 32-33



Light-Medium Duty  
400/7700  
100 - 400 Lbs.  
Page 34-36



Light-Medium Duty  
Series 800-8700  
Total Brake  
Pages 37



Light-Medium Duty  
Stainless Steel  
Series S800-S8700  
Total Brake  
Pages 38



Medium-Heavy  
Duty/Stainless Steel  
1400/3400  
275 - 1,050 Lbs.  
Page 39-43



Heavy Duty  
H1400/H3400  
420 - 1,800 Lbs.  
Page 44-45



Forged Trailer Duty  
HX1200/HX3200  
350 - 2,000 Lbs.  
Page 46-47



Forged Trailer Duty  
HX1300/HX3300  
600 - 2,500 Lbs.  
Page 48-49



X-Heavy Forged  
Trailer Duty  
HX1400/HX3400  
600 - 3,500 Lbs.  
Page 50-51



Super Heavy Forged  
Trailer Duty  
HX1500/HX3500  
2,000 - 10,000 Lbs.  
Page 52-53



Super Heavy  
Forged Trailer Duty  
HX1600/HX3600  
2,000 - 15,000 Lbs.  
Page 54-55



Medium-Heavy Duty  
KPL1400/KPL3400  
350 - 1,500 Lbs.  
Page 56-57



Medium Heavy Duty  
KP1400/KP3400  
350 - 2,000 Lbs.  
Page 58-59



Forged Trailer Duty  
KP1300/KP3300  
600 - 3,500 Lbs.  
Page 60-61



X- Heavy  
Trailer Duty  
KPHX1400/KPHX3400  
1,600 - 6,000 Lbs.  
Page 62-63



Super Heavy  
Forged Trailer Duty  
KP1500/KP3500  
2,000 - 10,000 Lbs.  
Page 64-65



Industrial Wheel  
Choices  
Pages 68-82



Bearing  
Selection  
Page 83



Air Faultless Casters  
300 - 450 Lbs.  
Page 84



Scaffold Casters  
500 - 750 Lbs.  
Page 85



Airline Conveyor  
Casters  
270 - 375 Lbs.  
Page 86-87



Low Profile Business  
Machine Casters  
200 - 1,200 Lbs.  
Page 88



Shock Absorbing  
Casters Low Profile  
350 - 1,600 Lbs.  
Page 89



HS/SH Industrial  
Spring Action  
900 - 1,200 Lbs.  
Page 92



Floor Truck Locks  
For Platform  
Trucks & Dollies  
Page 91



Furniture Dollies  
800 - 1,000 Lbs.  
Page 92



Nutting Non-powered Material Handling  
Pages 93-95



Rhombus Casters  
Pages 96-116

## Grease Seal Kits

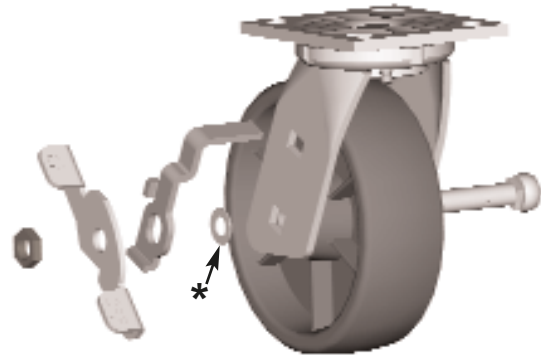
Grease seal holds in lubricant, reduces friction for free swiveling in contaminated environments. Field mountable.



Desc.	Order No.
Series 1400	32279
Series S1400	32293

## Rollock Brake Kits

Effective gripping action across the tread keeps wheel from rolling. Field mountable. For use with Series E, 400, 1400.



\* Washer has been eliminated from use in 400 Series.

Desc.	Order No.	Stainless Order No.
20 RB Kit	32272	-
21 RB Kit	32273	-
22 RB Kit	32274	-
400-3RB Kit	32286	-
400-3½ RB Kit	32284	-
400-4 RB Kit	32275	-
400-5 RB Kit	32276	-
1400-4 RB Kit	32280	32294
1400-5 RB Kit	32277	32295
1400-6 RB Kit	32278	32296
1400-8 RB Kit	32281	32297

## Side Friction Brake Kits

Cam style compression brake for use in E-Series Casters.

Desc.	Order No.
21-22 E Brake Kit	32271



NOTE: Refer to page 29 for Rubber Expansion Sockets

## Wheel Face/Total Lock Brake Kits

Series 400, 1400

Top activated brake kits for use with Series 400 or 1400. Field mountable or factory installed.

Desc.	Wheel Face Brake Order No.	Total Lock Order No.
300-3 Kit	43397	
400-3½ Kit	42672	
400-4 Kit	42673	
400-5 Kit	42674	
400-6 Kit	42675	32387
1400-4 Kit		32388
1400-5 Kit		32389
1400-6 Kit		32390
1400-8 Kit		



## Cam-Style Brake Kit

Series 1400, H1400

Cam-Style compression brake for use on 1400 and H1400 Series Casters.

Desc.	Wheel Width	Order No.
1400, H	All Sizes	32285
H1400	2½"	32268

NOTE: 4" Cam Not Available.



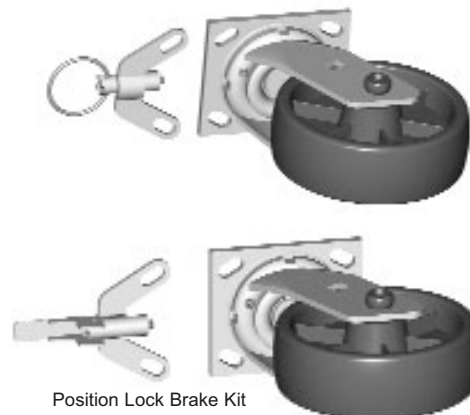
## Four Position Swivel Locks

Detachable four position lock instantly converts swivel casters to rigid. Field mountable.

Applies To:	Order No.
1400	46130
1400 - Foot Operated	46129
H1400	46117
HX1400/KPHX1400	45744*
HX1200/HX1300/KP1300	45743
KP1400 - Foot Operated	45742
HX1500/KP1500	45745**
HX1600	45746**

NOTE: \*New HX1400 Series Design Only.

\*\*Rigs not machined as standard. Consult factory for availability.



Position Lock Brake Kit

## Heavy-Duty Brake Kits

### Wheel Face Brakes

The wheel face type brake on the KPL1400-3400 and KP1400-3400 series are similar to our regular 1400 series WFB except they are constructed with heavier and stronger components along with a hefty foot pedal. These kits can be mounted on either side of the swivel and rigid heavy-duty caster series.

#### Features

- Field Mountable
- Rigid Mounting Frames
- Requires no welding
- Foot Operated
- No Maintenance Required



Desc.	Order No.
KP1400-4 WFB Kit	45834
KP1400-5 WFB Kit	45835
KP1400-6 WFB Kit	45836
KP1400-8 WFB Kit	45837

Note: Same part numbers used on KP3400, KPL1400 & KPL3400

### ALL BRAKES WORK ON BOTH SWIVEL & RIGID CASTERS.

Please note that some of our regular 1400 series brakes will function on our KPL1400-3400 and KP1400-3400 series. Cam style 1400 series brakes will function on the KPL1400-3400 and KP1400-3400 series. 1400 series Rollock Brakes function on the KPL3400 and KP3400 rigid horns only (will not work on swivels) and 1400 series WFB works on KPL1400-3400, KP1400-3400 series 6" and 8" sizes only.



## Heavy-Duty Brake Kits

### Wheel Face Contact Brakes

Wheel Face Contact Brakes consist of sturdy side frame members that bolt on with a longer axle bolt and conform to the caster leg profile for increased rigidity. No welding is required and these kits can be mounted on either side of swivel caster and also on all heavy-duty rigid series casters.



#### Features

- Field Mountable
- Rigid Mounting Frames
- Requires no welding
- Foot Operated
- No Maintenance Required

Desc.	Order No.
KP1300-6 WFCB Kit	45830
KP1300-8 WFCB Kit	45831
KP1300-10 WFCB Kit	45832
KP1300-12 WFCB Kit	45833
Note: Same part numbers used on KP3300, HX1300-3300	
KPHX1400-6 WFCB Kit	45747
KPHX1400-8 WFCB Kit	45748
KPHX1400-10 WFCB Kit	45749
KPHX1400-12 WFCB Kit	45750
Note: Same part numbers used on KPHX3400, HX1400-3400	
KP1500-6 WFCB Kit	45751
KP1500-8 WFCB Kit	45752
KP1500-10 WFCB Kit	45753
KP1500-12 WFCB Kit	45754
Note: Same part numbers used on KP3500, HX1500-3500	

Desc.	Order No.
HX1200-4 WFCB Kit	45755
HX1200-5 WFCB Kit	45756
HX1200-6 WFCB Kit	45757
HX1200-8 WFCB Kit	45758
Note: Same part numbers used on HX3200	
HX1600-6 WFCB Kit	45759
HX1600-8 WFCB Kit	45760
HX1600-10 WFCB Kit	45761
HX1600-12 WFCB Kit	45762
Note: Same part numbers used on HX3600	
HXD1600-6 WFCB Kit	45812
HXD1600-8 WFCB Kit	45813
HXD1600-10 WFCB Kit	45814
HXD1600-12 WFCB Kit	45815
Note: Same part numbers used on HXD3600	



Caster Series	Cap./Lbs	Page	Caster Series	Cap./Lbs	Page
9000 Series	70-90	17	1400-3400/Stainless Series	300-1050	39-43
EP-RP Series	90-150	18-19	H1400/3400	420-1800	44-45
Plastic Caster Series	115-125	20	HX1200/3200	350-2000	46-47
EW Series	80-125	21	HX1300/3300	600-2500	48-49
EW-EP-EY Dual Whl Series	160-300	22	HX1400/3400	600-3500	50-51
EK Series	115-125	23	HX1500/3500	2000-10,000	52-53
K400 Series	200-300	23	HX1600/3600	2000-15,000	54-55
EY Series	80-135	24	KPL1400/3400	350-1500	56-57
G400 Series	175-325	24	KP1400/3400	350-2000	58-59
Twin Wheel	50-100	25, 26	KP1300/3300	600-3500	60-61
100-500 Series	90-450	32-33	KPHX1400/3400	1600-6000	62-63
400-7700 Series	100-400	34-36	KP1500/3500	2000-10,000	64-65
800-8700 Series	180-325	37			
S800-S8700 Stainless Series	180-325	38			

## Airlines

Cargo Carriers			Portable Stairways	50, 51
(Inverted Casters)	86, 87		Serving Carts	102
Dollies	40, 44		Trailers (All Purpose)	52, 54, 64
Engine Stands	52, 54, 64			

## Automotive

Creepers	24		Jacks	24, 39, 50
Diagnostic Equipment	20, 34, 37-38, 84		Tire Racks	24, 34, 37
Drum Dollies	18, 24, 34		Tool Stands & Chests	24, 34, 37

## Bakeries

Bowl Trucks	39, 40		Ingredient Bins	18, 19
Bread Trucks	39, 40		Platform Trucks	39, 44
Dish Trucks	38, 50		Refuse Containers	39, 44
Drum Dollies	39		Transport Dollies	39, 44

## Dept./Grocery/Chain Stores/Furniture

Display Racks & Bins	17, 18, 19, 21-23, 24, 26, 32, 38-40		Office Chairs	21, 25, 26
Floor Cleaning Equipment	18, 19, 34, 37		Office Equipment Stands	17-19, 23-25
Furniture Dollies	18, 19, 32, 34		Sorting Tables	17-19, 24, 32, 38, 40
Furniture Handling Trucks	18, 19, 34, 39, 44, 50		Stock Trucks	18, 19, 24, 34, 38, 40
Garment Racks	18, 19, 21, 24		Trash Containers	39, 44, 48 50
Maintenance Trucks	34, 37, 39			

## Entertainment Industry

Camera Dollies	18, 19, 21-23, 37		Packing Cases	32, 34, 37, 102, 106
Lamps	17, 18, 19, 21-23, 25, 26		Platform Trucks	34, 37, 39

## Freight Terminals

Dollies	32, 34		Tool Stands & Chests	34, 37, 39, 40, 44, 56, 58, 89
Platform Trucks	38, 40, 44, 45, 56, 58, 62, 64, 93		Tow Line Trailers	39, 46, 52, 54, 60, 64
Portable Conveyors	18, 19, 21-23			

## Hospital/Nursing Home/Laboratories

Beds	111-116		Lab Equipment	18, 19, 22, 34, 37, 38
Cages (animal)	37, 43		Laundry Carts	34-45
Carts (food, medicine)	16-21, 32-39		Overbed Tables	24, 25, 26
House Keeping Carts	37, 39, 84		Supply Carts	18, 19, 34, 37
Instrument Stands & Carts	18, 19, 24, 34		Trash Carts	34, 39, 50
IV Stands	24, 25, 26			



**Hotel/Motel/Resorts**

Audio Visual Carts	18, 19, 34	Laundry Carts	34, 37, 39, 84
Floor Cleaning Equipment	38, 42	Luggage Carts	39, 84
House Keeping Carts	34, 39, 50	Maintenance Carts	34, 37, 39

**Laundries/Cleaners**

Baskets	32, 34	Laundry Bins	34, 39
Garment Racks	18, 19, 24, 34		

**Manufacturing Plants**

Battery Racks	50, 52	Picker Carts	18, 19, 34, 37
Die & Fixture Trucks	39, 44, 50, 64	Platform Trucks	39, 44
Distribution Cages & Carts	18, 19, 34	Scaffolds	85
Drum Dollies	18, 24, 34	Tool Boxes	18, 19, 34, 38, 39, 89
Lubrication Equipment	18, 19, 24, 37	Towline or Pulled Trailers	39, 44, 50
Parts Carts	18, 19, 34, 37	Welding Machines	24, 34, 37, 39

**Marine Industry**

Boat Dollies	62, 64	Engine Stands	52, 54, 62, 64
Dry Dock Equipment	52, 54		

**Offices/Schools/Libraries/Churches/Banks**

Audio Visual Carts	18, 19, 34	Money Trucks	39, 50
Book Carts & Racks	18, 19, 34, 37, 39	Mop Buckets	21, 24, 25, 26
Chair & Table Racks	22, 32, 34, 37, 39	Office Chairs	21, 24, 25, 26
Computer/Copier Stands	24, 25, 26	Pianos	22
Floor Cleaning Equipment	38, 42	Portable Files	18, 22, 24
Janitorial Equipment	18, 19, 20, 24	Refuse Carts & Bins	34, 39
Laundry Carts	34, 37, 39, 84		

**Processing Plants**

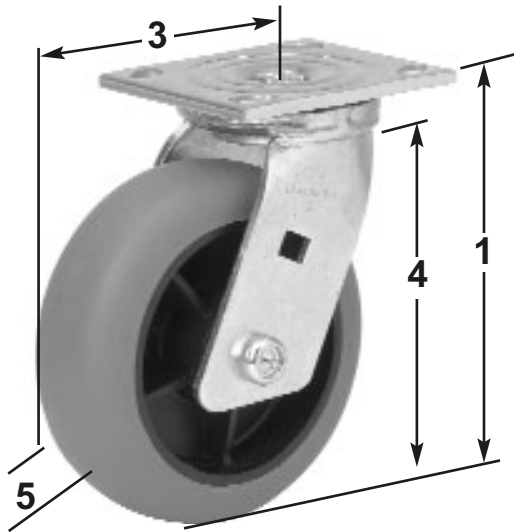
Case Dollies	38-65	Platform Trucks	40-65
Curing Racks	38-65	Production Equipment	38-65
Dollies	38-65	Sausage Trucks	38-65
Heavy Trucks	40-65	Tool Boxes	38-65, 91
Ice Trucks	40-65	Towline Trucks	40-65
Mixers	40-65	Vats	40-65
Packing Stands	38-65	Waste Bins	40-65

**Restaurants**

Bun Racks	18, 19, 32, 34	Floor Cleaning Equipment	38, 42
Bus Carts	18, 19, 24	Milk Case Dollies	39
Chairs	21, 24, 25, 26	Portable Bars	34, 39
Dish Trucks	18, 19, 34, 37	Tool Carts	18, 19, 34, 38, 39, 89

**Warehouses**

Dollies	32, 34	Platform Trucks	39, 44
Pick Carts	18, 19, 34, 37	Trailers	50-65



- 1. Overall Height** - The vertical distance between the floor and the mounting plane of the equipment.
- 2. Offset** - The horizontal distance between vertical center lines through the kingpin and the wheel center. (Not shown in diagram.)
- 3. Swivel Radius** - The horizontal distance from the vertical center line of the kingpin to the outside edge of the wheel tread. This dimension specifies the minimum distance required for the caster to swivel 360° when mounted.
- 4. Wheel Diameter**
- 5. Tread Width**

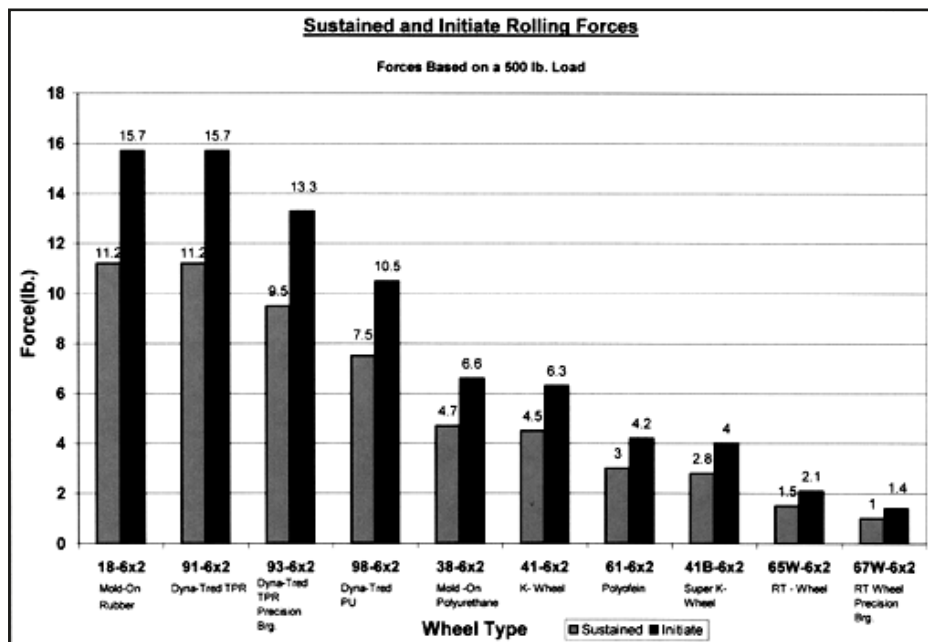
**Steering** - Steering is affected by the type of wheel, tread, and swivel. Swivel offset is a factor in ease of steering. Too short a lead will increase steering effort, but too much lead can reduce load capacity and may cause wobble.

**Dynamic or Rolling Load** - The load imposed upon a caster or wheel while in motion.

**Static Load** - The load imposed upon a caster while it is stationary.

**Impact Load** - A momentary load imposed upon a caster or wheel when a load is dropped on the equipment or it strikes an obstruction or experiences vibration.

**Rollability** - Rollability is the ease with which a wheel or caster can be rolled. Rollability is affected by wheel size, type of tread and bearings. The larger the wheel, the easier it will roll. A hard, narrow crowned tread rolls easier than a flat, soft tread on a smooth floor, but may be hard on floors. Soft treads protect floors and pass over floor obstructions more easily.



Reprinted 7/15/94 with the written permission of The Institute of Caster Manufacturers from "A Guide To Understanding And Specifying Industrial Casters And Industrial Wheels"

**Top Plate** - A horizontal plate for attaching a caster to equipment.

**Kingpin** (staked kingpin or nut & bolt assembly) - A threaded nut & bolt or staked assembly which holds the swivel assembly together. The kingpin may also be an integral part of the top plate. Threaded kingpins can be adjusted to compensate for wear in the swivel assembly.

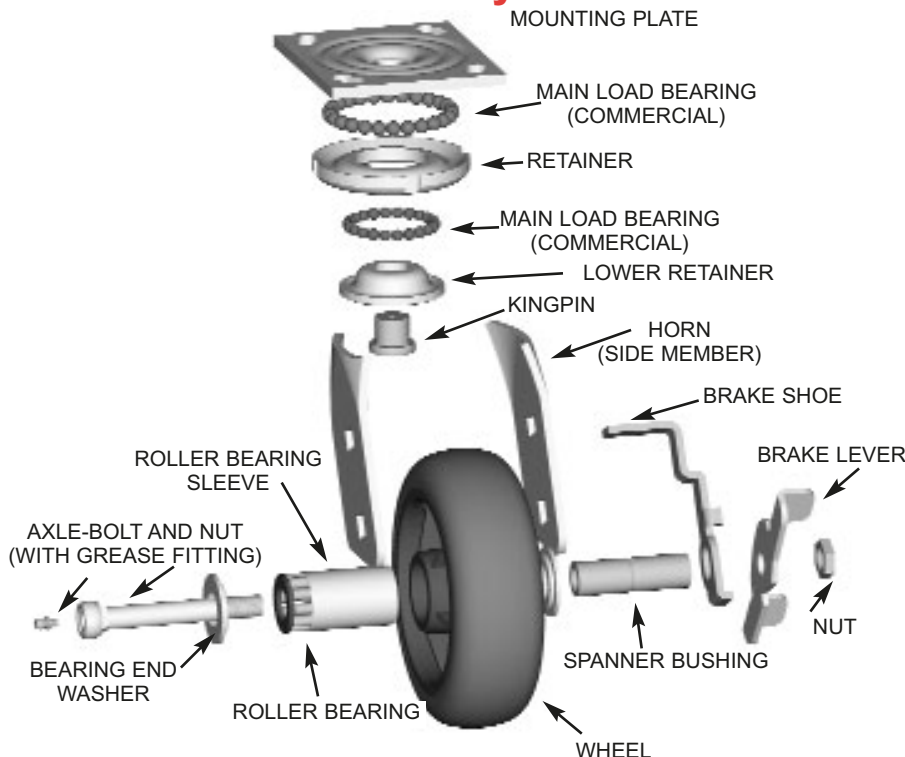
**Swivel Horn Assembly** - Consists of a swivel bearing unit. It does not include wheel, wheel bearings, washers, or spanner bushing components. The spanner bushing is a non-rotating sleeve of seamless steel that fits over the axle and provides an inner raceway for wheel bearings. It strengthens the caster by allowing the legs to be tightened against it.

**Rigid Horn Assembly** - Consists of a rigid or stationary horn unit. It does not include the wheel, wheel bearings, washers, or spanner bushing components.

**Swivel Bearings** - Swivel horn assemblies may be supplied with several styles of swivel bearings. For example:

1. **Single Level Ball Race** - A single row of balls in a large diameter ball raceway. (Faultless 100 Series)
2. **Double Ball Race** - Two rows of balls moving independently through two levels of ball races. (All Faultless except 100 Series)
3. **Ball Bearing Upper Race and Tapered Roller Thrust** - A single row of balls in the upper race coupled with a precision tapered roller bearing in the lower race.
4. **Precision Upper Race and Lower Race Bearings** - A self-contained precision load bearing for the upper race coupled with a precision tapered roller bearing in the lower race.

## Caster Assembly Breakdown



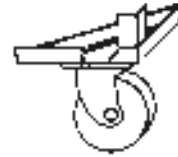
# CASTER MOUNTING APPLICATION



Swivel plate bolts or welds to cross support and floor truck.



Swivel plate bolts to wood to inverted channel iron cross support and floor truck.



Swivel plate bolts or welds to angle iron frame and corner brace.



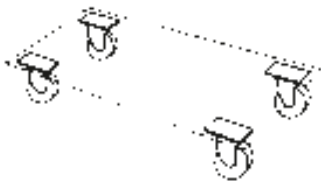
Swivel plate bolts or welds to angle iron frame and inverted cross supports.



Swivel plate bolts or welds to U-beams used as cross supports.



Stem caster with combination swivel and wheel brake protects workmen on scaffolds.



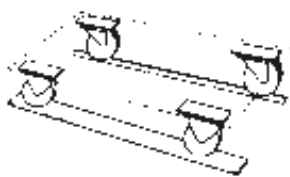
Four swivel casters respond instantly to directional change, making parking easy in limited space. Recommended for short distances, crowded conditions.



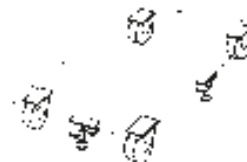
Two rigid casters at sides, two swivel casters at ends make a highly maneuverable truck that turns in its own length.



Two rigid, one swivel caster make a maneuverable triangle dolly for light loads.



Two V-grooved casters on angle-iron track and two plain rigid casters rolling on metal plate make an ideal production line carrier.



Two swivel and rigid casters provide easy steering over long distances. Floor truck lock holds securely for loading or unloading, sets and releases with a simple step-down.

## When Specifying or Replacing Casters, Answer These Seven Important Questions:

1. What is the average load and the maximum load?
2. What wheel type is needed for floor protection?
3. What wheel diameter will give the necessary mobility?
4. In what type of environment will the casters or wheels operate (water, oils, acids, corrosive materials, or excessive temperatures)?
5. Will the unit be hand-pushed or powered?
6. How many swivel and how many rigid casters are needed?
7. How are the casters to be mounted? i.e. Top Plate, Stem, Hollow Kingpin, etc.

Load + weight of truck ÷ number of casters = lbs. per caster  
For example: 2000 lbs. ÷ 4 casters = 500 lbs. per caster



Divide combined weight of load and truck to get weight-per-caster.  
***Faultless load ratings include a substantial safety factor.*** If a load is dropped onto a truck without regard for breakage, then specify the next higher load rating. Generally, select casters with extra load capacity rather than “just enough to get the job done.”

# CASTER NUMBERING SYSTEM



## Institutional/Furniture Casters

E	W	9	5	11	R	TG
Series	Mounting Options	Wheel Material*	Finish	Size	Suffix	Suffix

E - Double Ball Bearing (wide variety of mountings)	W - Wide Friction Band - Short (7/16" x 1-3/8")	1 - Dyna-Tred II TPR (Gray Thermoplastic Tread)	1 - Antique	8 - 1-5/8"	R - Riveted Axle	TG - Thread Guard
9000 - Double Ball Bearing (light duty plate mounting)	R - Wide Friction Band - Long (7/16" x 2-1/32")	3 - Plastic	2 - Black Oxidized	9 - 2"	M - White Wheel	B&N - Bolt & Nut
IT - Twin Wheel Casters (Twin Wheel Mounting Options include H, W, Y, and P)	K - Institutional Stem (multiple sizes available)	4 - Rubber	3 - Nickel	11 - 2-1/2"	W - Black Wheel	B - Brake (Twin Wheels)
R - Rigid Caster	Y - Threaded Stem	6 - Polypropylene	4 - Brass	20 - 3"		TB - Total Brake
	P - Plate (multiple sizes available)	7 - Hard Rubber	5 - Zinc	21 - 4"		SB - Side Brake
		9 - Dyna-Tred II PU		22 - 5"		RB - Rollock Brake



**EW9511RTG**





# FURNITURE CASTERS

## Series 9000 Plate Casters

Load Capacity 70-90 Lbs. Each Caster



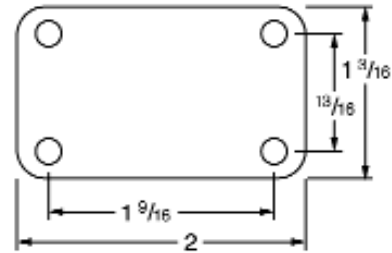
Double ball bearing swivel makes this a quality plate caster for flat-base furniture such as chests, cabinets, and lighter school and hospital equipment.

Wheel Dia. (In.)	Tread Width (In.)	Wheel Material	Load Rating (Lbs.)	Overall Height (In.)	Finish	Caster Desc.	Order No.
1 5/8	47/64	Soft Rubber	70	2 9/32	Zinc	9458R	28472
2	7/8	Soft Rubber	80	2 5/8	Zinc	9459BR	28474
		Dyna-Tred II TPR	80	2 5/8	Zinc	9159R	28470
3	1 3/16	Soft Rubber	90	3 19/32	Zinc	94520R	28486
		Dyna-Tred II TPR	90	3 19/32	Zinc	91520R	28488

Hard Rubber or Polypropylene wheels available on 2" and 3" sizes

Mounting Bolt Diameter — 3/16"

3" wheel has a top plate size of 2 1/8" x 1 1/8" and like mounting hole spacing

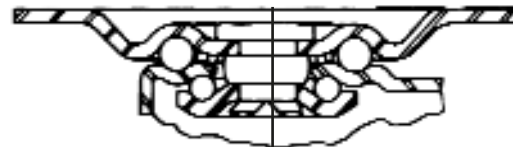


CASTERS

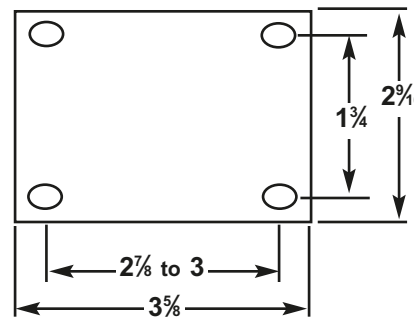
## Series EP-RP

Load Capacity 90-150 Lbs. Each Caster

Recommended for light assembly dollies and trucks, bakery racks, portable files, tool boxes, display racks, and many other uses.



NOTE: Double Ball Raceway



CASTERS

- **TB** — Dual brake available on 5" diameter caster. Locking of wheel and swivel for extra safety and stability
- **Swivel Casters** — Full-drawn horn provides both upper and lower raceways. Deep-drawn, corrugated top plate also forms main load raceway
- **Load Bearing** — Two full, independent rows of hardened ball bearings roll in separate raceways for superior swiveling
- **Kingpin** — Fully annealed kingpin holds raceways precisely in alignment
- **Wheel Bearings** — Self-lubricating and plain bearings are available
- **Finish** — Corrosion-resistant zinc

## Wheel Options



Soft Rubber



Hard Rubber



Polypropylene



Dyna-Tred II  
TPR

Wheel Dia. (In.)	Tread Width (In.)	Wheel Material	Wheel Bearing	Load Rating (Lbs.)	Swivel Caster Desc.	Order No.	Rigid Caster Desc.	Order No.
3	1 <sup>3</sup> / <sub>16</sub>	Soft Rubber	Plain	90	EP4520	29906	RP4520	31232
		Soft Rubber	Plain	90	EP4520RB	29909	-	-
		Polypropylene	Plain	110	EP6520	29814	RP6520	25126
		Hard Rubber	Plain	100	EP7520	29922	RP7520	31249
		Hard Rubber	Plain	100	EP7520SB	29936	-	-
		Dyna-Tred II TPR	Plain	90	EP1520	29821	RP1520	31221
4	1 <sup>5</sup> / <sub>16</sub>	Soft Rubber	Plain	115	EP4521	29918	RP4521	31239
		Soft Rubber	Plain	115	EP4521RB	29920	-	-
		Polypropylene	Plain	140	EP6521	29815	RP6521	25133
		Hard Rubber	Plain	140	EP7521	29955	RP7521	31260
		Hard Rubber	Plain	140	EP7521SB	29956	-	-
		Dyna-Tred II TPR	Plain	115	EP1521	29823	RP1521	31223
5	1 <sup>5</sup> / <sub>16</sub>	Soft Rubber	Plain	125	EP4522	29933	RP4522	31247
		Soft Rubber	Plain	125	EP4522RB	29935	-	-
		Polypropylene	Plain	150	EP6522	29831	RP6522	25138
		Hard Rubber	Plain	150	EP7522	29952	-	-
		Dyna-Tred II TPR	Plain	125	EP1522	29825	RP1522	31225
		Dyna-Tred II TPR	Plain	125	EP1522TB*	29817	-	-

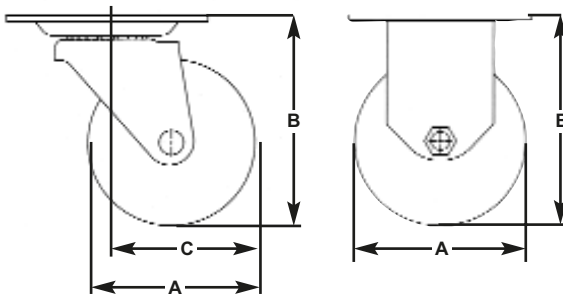
Wheel Diameter (A)	3"	4"	5"
Overall Height (B)	3 <sup>3</sup> / <sub>4</sub> "	4 <sup>13</sup> / <sub>16</sub> "	5 <sup>13</sup> / <sub>16</sub> "
Swivel Radius (C)	2 <sup>3</sup> / <sub>4</sub> "	3 <sup>5</sup> / <sub>16</sub> "	3 <sup>15</sup> / <sub>16</sub> "
Axle Size	1/4"	5/16"	5/16"

OPTIONS:

1. RB for Rollock Brake
2. SB for Side Brake
3. TG for Thread Guard
4. TB for Total Lock Brake — 5" only
5. B & N — Bolt & Nut Axle standard
6. R — Riveted axle optional

\*Total Lock Brake overall height is 6<sup>1</sup>/<sub>2</sub>"

Mounting Bolt Diameter — 5/16"



CASTERS

## Options



Total Lock Brake



Side Brake



Rollock Brake



Thread Guards



## 4" & 5" All Plastic Casters

Load Capacity 115-125 Lbs. Each Caster

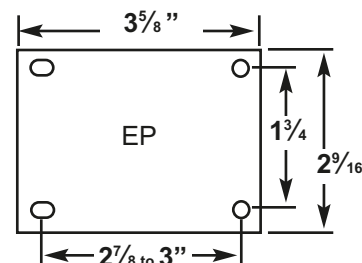
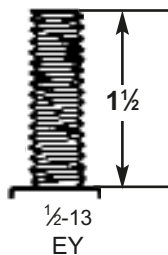
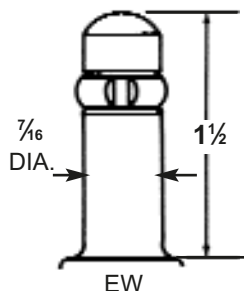
Faultless Caster is proud to introduce, exclusively, the ALL PLASTIC CASTER. This caster is another innovative product designed to suit your most specific needs. The ALL PLASTIC CASTER is available in 4" and 5" sizes and are molded in your favorite colors to compliment the unique quality of your product or surroundings. Applications are endless as the molded casters are available in both stem or plate mounting. The patented strength of Faultless Caster is present in these uniquely designed casters with load capacities of up to 125 lbs. Let us help you compliment your design creations.



CASTERS

Wheel Dia. (In.)	Tread Width (In.)	Wheel Material	Wheel Bearing	Load Rating (Lbs.)	Overall Height (In.)	Swivel Caster Desc.	Order No.	Rigid Caster Desc.	Order No.
4	15/16	Dyna-Tred TPR	Plain	115	5 3/8	EWRT1221	29755	—	—
		Dyna-Tred TPR	Plain	115	5 3/8	EWRT1221WFB	29760	—	—
		Dyna-Tred TPR	Plain	115	5 3/8	EYRT1221	29753	—	—
		Dyna-Tred TPR	Plain	115	5 3/8	EYRT1221WFB	29759	—	—
		Dyna-Tred TPR	Plain	115	5 1/2	EPRT1221	29750	RPRT1221	29758
		Dyna-Tred TPR	Plain	115	5 1/2	EPRT1221TB	29761	RPRT1221WFB	29765
5	15/16	Dyna-Tred TPR	Plain	125	6 7/16	EWRT1222	29754	—	—
		Dyna-Tred TPR	Plain	125	6 7/16	EWRT1222WFB	29763	—	—
		Dyna-Tred TPR	Plain	125	6 7/16	EYRT1222	29756	—	—
		Dyna-Tred TPR	Plain	125	6 7/16	EYRT1222WFB	29762	—	—
		Dyna-Tred TPR	Plain	125	6 1/2	EPRT1222	29751	RPRT1222	29757
		Dyna-Tred TPR	Plain	125	6 1/2	EPRT1222TB	29752	RPRT1222WFB	29764

\* Custom colors available - contact factory for minimums. Standard color is black.





## Series EW Stem Casters

Load Capacity 80-125 Lbs. Each Caster



Double ball bearing construction assures easy swiveling for heavy furniture, appliances, equipment, or point-of-purchase displays. Friction-grip stem can fit directly into cast aluminum, molded plastic, or pressed-steel chair bases. Also used with EW brackets for angle-iron legs and steel, plastic, and RT sockets for tubular metal legs.

Wheel Dia. (In.)	Tread Width (In.)	Wheel Material	Load Rating (Lbs.)	Overall Height (In.)	Finish	Swivel Caster Desc.	Order No.
2	7/8	Soft Rubber	80	2 17/32	Nickel	EW439BR*	30247
		Soft Rubber	80	2 17/32	Zinc	EW459BR*	30301
	3/4	Dyna-Tred II TPR	80	2 17/32	Zinc	EW159R*	30159
2 1/2	1 3/16	Soft Rubber	80	3 1/32	Zinc	EW4511R*	30180
		Soft Rubber	80	3 1/32	Nickel	EW4311R*	30191
		Dyna-Tred II TPR	80	3 1/32	Zinc	EW1511R*	30186
3	1 3/16	Soft Rubber	90	3 1/2	Nickel	EW4320*	30317
		Soft Rubber	90	3 1/2	Zinc	EW4520*	30333
		Dyna-Tred II TPR	90	3 1/2	Zinc	EW1520*	30324
4	1 5/16	Soft Rubber	115	4 5/8	Nickel	EW4321**	30372
		Soft Rubber	115	4 5/8	Zinc	EW4521B&N**	30345
		Dyna-Tred II TPR	115	4 5/8	Zinc	EW1521B&N**	30392
5	1 5/16	Soft Rubber	125	5 5/8	Zinc	EW4522**	30357
		Dyna-Tred II TPR	125	5 5/8	Zinc	EW1522**	30201

CASTERS

\*Standard Stem: 7/16" diameter, 1 3/8" long (Specify 5567-6)

\*\*Standard Stem: 7/16" diameter, 1 17/32" long (Specify 5567-4)

Alternate Stem: 7/16" diameter, 1" long (Specify 5567-1)

See page 28-29 for EW Sockets

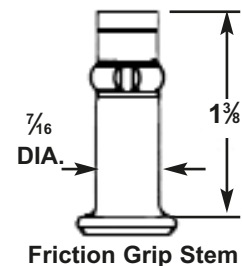
Hard Rubber and Polypropylene wheels available

Friction Brake available (Suffix SB) (2", 2 1/2", 3", 4", 5")

Rollock Brake available (Suffix RB) (3", 4", 5")

Bore dimensions: 29/64" dia., 1/16" depth.

Stem can be used with EW tube sockets or brackets.



## Series EW-EP Dual Wheel Casters

Load Capacity 160-275 Lbs. Each Caster

Ideal for pianos and equipment. Combines high load capacity with excellent mobility and floor protection. Full double ball bearing construction provides easy swiveling and long service life.



CASTERS

Wheel Diameter (In.)	Tread Width (In.)	Wheel Material	Load Rating (Lbs.)	Overall Height (In.)	Finish	Caster Desc.	Order No.
2	7/8	Soft Rubber	160	2 <sup>23</sup> / <sub>32</sub>	Copper Oxide	EW479-2*	30373
		Soft Rubber	160	2 <sup>27</sup> / <sub>32</sub>	Copper Oxide	EP479-2**	29941
		Hard Rubber	275	2 <sup>27</sup> / <sub>32</sub>	Zinc	EP759-2**	29960
		Hard Rubber	275	2 <sup>23</sup> / <sub>32</sub>	Zinc	EW759-2*	30475

Friction Grip Stem: 7/16" x 1-17/32"

Bore dimensions: 29/64" dia., 1-9/16" depth. Stem can be used with EW tube sockets or brackets.

\*Use with W98 Socket

\*\*Top Plate: 2-9/16" x 3-5/8"  
Bolt Holes: 1-3/4" x 2-7/8" to 3"

NOTE: Side Brake Available

## Series EY-EW-EP Single Wide Wheel Casters

Load Capacity 220-300 Lbs. Each Caster

Ideal for point of purchases displays and low profile computer equipment. These casters combine high load capacity with excellent mobility and floor protection. Full double ball bearing construction provides easy swiveling and long service life.



Wheel Diameter (In.)	Tread Width (In.)	Wheel Material	Load Rating (Lbs.)	Overall Height (In.)	Finish	Caster Desc.	Order No.
1 <sup>5</sup> / <sub>8</sub>	1 <sup>11</sup> / <sub>16</sub>	Polypropylene	220	2 <sup>7</sup> / <sub>32</sub>	Zinc	HXEP658R*	31157
		Polypropylene	220	2 <sup>1</sup> / <sub>8</sub>	Zinc	HXEY658R**	25836
2	1 <sup>11</sup> / <sub>16</sub>	Polypropylene	300	2 <sup>27</sup> / <sub>32</sub>	Zinc	HXEP659R*	31154
		Polypropylene	300	2 <sup>3</sup> / <sub>4</sub>	Zinc	HXEY659R**	25843
		Polypropylene	300	2 <sup>3</sup> / <sub>4</sub>	Zinc	HXEY659R***	31149

\*Top Plate: 2-9/16" x 3-5/8" Bolt Hole: 1-3/4"x2-15/16"; \*\*Thread Stem: 1/2" x 13 x 1-1/2"; \*\*\*Friction Grip Sem: 7/16" x 1-17/32"  
Contact factory for brake options.

## Piano Sockets

For EW Series Dual Wheel Piano Casters. Socket bore 9/16" x 1 1/2" depth. 2 1/8" diameter trackplate.



Socket No.	EDP No.
W98	38353



# INSTITUTIONAL CASTERS

## Series EK Stem Casters

Load Capacity 115-125 Lbs. Each Caster



These stem-type, light-duty casters are specifically engineered and made for institutional truck applications. Double ball bearing swivel delivers maximum maneuverability at minimum cost. Brake kit is available for easy field installation. Corrosion-resistant zinc finish.

Wheel Dia. (In.)	Tread Width (In.)	Wheel Dia. (In.)	Wheel Bearing	Axle Size (In.)	Load Rating (Lbs.)	Overall Height (In.)	Swivel Caster Desc.	Order No.
4	15/16	Soft Rubber	Plain	5/16	115	4 11/16	EK4521*	29885
		Soft Rubber	Plain	5/16	115	4 11/16	EK4521***	29886
		Dyna-Tred II TPR	Plain	5/16	115	4 11/16	EK1521*	29850
		Dyna-Tred II TPR	Plain	5/16	115	4 11/16	EK1521**	29854
		Dyna-Tred II TPR	Plain	5/16	115	4 11/16	EK1521***	29852
5	15/16	Soft Rubber	Plain	5/16	125	5 23/32	EK4522**	29876
		Soft Rubber	Plain	5/16	125	5 23/32	EK4522***	29865
		Dyna-Tred II TPR	Plain	5/16	125	5 23/32	EK1522*	29868
		Dyna-Tred II TPR	Plain	5/16	125	5 23/32	EK1522***	29872

\*Round stem 1 3/4" long, 7/8" diameter. Two holes, 5/16" diameter drilled 3/4" & 1 1/4" up from top of retainer

\*\*Round stem 2" long, 1" diameter banded 1/2" down from top of stem

\*\*\*Round stem 2 1/4" long, 1" diameter banded 1/2" down from top of stem

NOTE: Hard Rubber or Polypropylene wheels optional.

OPTIONS: SB, RB, TB



## Series K400

Load Capacity 200-300 Lbs. Each Caster

Wheel Dia. (In.)	Tread Width (In.)	Wheel Mat.	Wheel Bearing	Axle Size (In.)	Load Rating (Lbs.)	Overall Height (In.)	Swivel Caster Desc.	Order No.
5	1 1/4	Soft Rubber	Plain	3/8	200	6	K421-5RB-21	25634
		K-Wheel	Plain	3/8	300	6	K442-5-21	25003
		Dyna-Tred TPR	Precision	3/8	300	6	K493-5-21	24999
		Dyna-Tred TPR	Precision	3/8	300	6	K493-5RB-21	25000
		Dyna-Tred TPR	Delrin	3/8	300	6	K490-5-21	25001

No. 21 Stem — 1" diameter 2 3/4" long, rings 19/32" up from bottom and 1 1/2" down from top.  
Brake Options available, see 400 Series.

CASTERS

## Series EY Casters

Load Capacity 80-135 Lbs. Each Caster

Double ball bearing design makes the easy-swiveling Series EY ideal for metal furniture, carts, racks, appliances and more. Machine-threaded stems are available in made-to-order custom sizes.



Wheel Dia. (In.)	Tread Width (In.)	Wheel Material	Wheel Bearing	Axle Size (In.)	Load Rating (Lbs.)	Overall Height (In.)	Swivel Caster Desc.	Order No.
2	7/8	Soft Rubber	Plain	1/4	80	2 17/32	EY459R*	30648
	3/4	Dyna-Tred II TPR	Plain	1/4	80	2 17/32	EY159R*	30539
3	1 3/16	Soft Rubber	Plain	1/4	90	3 1/2	EY4520*	30719
		Dyna-Tred II TPR	Plain	1/4	90	3 1/2	EY1520*	30738
4	1 5/16	Soft Rubber	Plain	5/16	115	4 1/16	EY4521**	30764
		Hard Rubber	Plain	5/16	125	4 1/16	EY7521**	30843
		Dyna-Tred II TPR	Plain	5/16	115	4 1/16	EY1521**	30771
5	1 5/16	Soft Rubber	Plain	5/16	125	5 23/32	EY4522**	30797
		Hard Rubber	Plain	5/16	135	5 23/32	EY7522**	30842
		Dyna-Tred II TPR	Plain	5/16	125	5 23/32	EY1522**	30807

Note: R — Riveted Axle Brake Options available on most items. \*Stem Size 3/8 - 16x1 1/2" \*\*Stem Size 1/2 - 13x1 1/2" Hard Rubber and Polypropylene wheels available.

## Series G400 (Threaded Stem Casters)

Load Capacity 175-325 Lbs. Each Caster

This Faultless caster offers the smooth, quiet swiveling made possible by double ball bearing construction. Threaded stem attaches to wire grocery trucks, brackets, plugs, legs, etc. Corrosion-resistant zinc finish.



Wheel Dia. (In.)	Tread Width (In.)	Wheel Material	Wheel Bearing	Axle Size (In.)	Load Rating (Lbs.)	Overall Height (In.)	Swivel Caster Desc.	Order No.
3	1 1/4	Soft Rubber	Plain	3/8	175	3 3/4	G421-3	25565
		Soft Rubber	Plain	3/8	200	4 7/8	G421-4	25590
4	1 1/4	Soft Rubber	Plain	3/8	200	4 7/8	G421-4RB	25478
		Dyna-Tred TPR	Delrin	3/8	225	4 7/8	G490-4	24980
		Dyna-Tred TPR	Delrin	3/8	225	4 7/8	G490-4RB	24981
		Dyna-Tred TPR	Precision	3/8	225	4 7/8	G493-4TG	25200
		Dyna-Tred TPR	Precision	3/8	225	4 7/8	G493-4RBTG	25201
		Dyna-Tred PU	Precision	3/8	275	4 7/8	G499-4TG	24927
		Dyna-Tred PU	Precision	3/8	275	4 7/8	G499-4RBTG	24928
		RT Wheel	Delrin	3/8	300	4 7/8	G464W-4	24892
	1 1/2	RT Wheel	Delrin	3/8	300	4 7/8	G464W-4RB	24893
		RT Wheel	Roller	3/8	300	4 7/8	G465W-4	24895
RT Wheel		Roller	3/8	300	4 7/8	G465W-4RB	24896	
5		1 1/4	Soft Rubber	Plain	3/8	200	6	G421-5
	Soft Rubber		Plain	3/8	200	6	G421-5RB	25560
	Dyna-Tred TPR		Delrin	3/8	250	6	G490-5	24982
	Dyna-Tred TPR		Delrin	3/8	250	6	G490-5RB	24983
	Dyna-Tred TPR		Precision	3/8	250	6	G493-5TG	26012
	Dyna-Tred TPR		Precision	3/8	250	6	G493-5RBTG	26013
	Dyna-Tred PU		Precision	3/8	300	6	G499-5TG	25202
	Dyna-Tred PU		Precision	3/8	300	6	G499-5RBTG	25203
	1 1/2	RT Wheel	Delrin	3/8	325	6	G464W-5	24898
		RT Wheel	Delrin	3/8	325	6	G464W-5RB	24899
RT Wheel		Roller	3/8	325	6	G465W-5	24901	
RT Wheel		Roller	3/8	325	6	G465W-5RB	24902	

Stem Dimensions: 1/2 - 13x1 1/2" standard. Other stem dimensions available. High Temperature version available. Contact factory. (RB- Rollock Brake) (WFB - Wheel Face Brake)



## Stem & Body Program

Load Capacity 90-100 Lbs. Each Caster



Twin Wheel Casters by Faultless are available in a variety of stem and body combinations to provide you with flexibility of choice and ease of installation.

- **Body** — 100% hooded nylon
- **Sizes** — Available in 50mm & 60mm
- **Toggle Brakes** — Available on 50 mm & 60mm Black styles
- **BIFMA** — Meets or exceeds BIFMA specifications

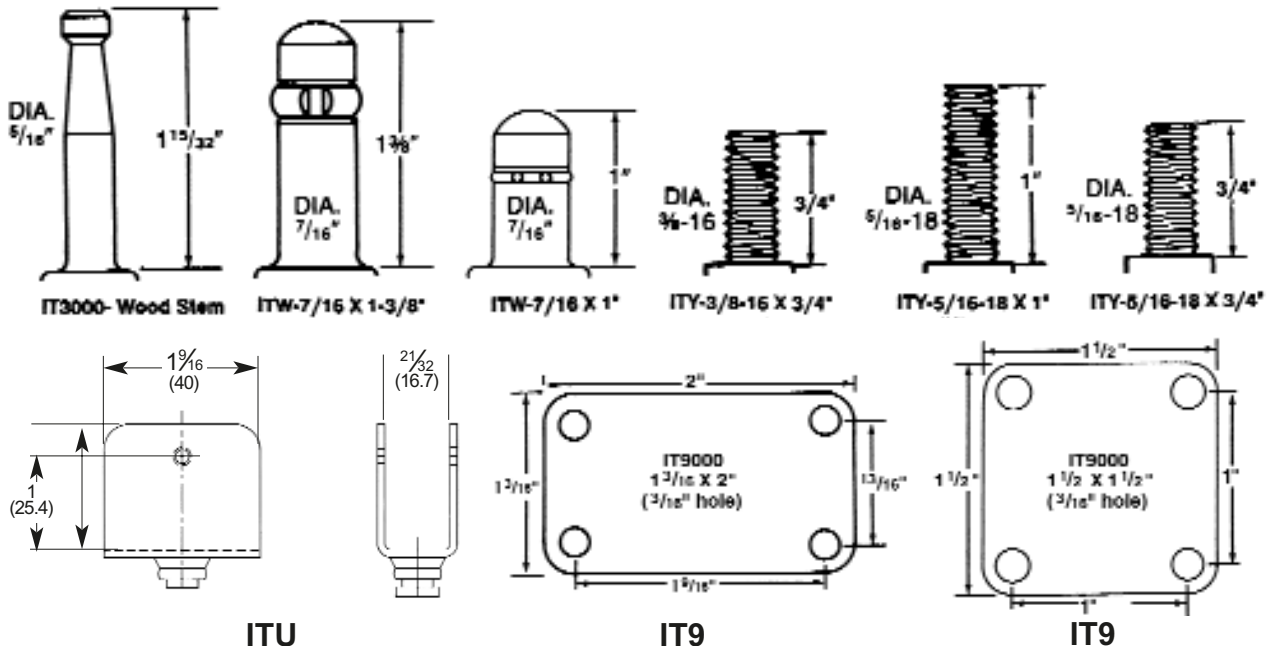
Stem Desc.	Order No.
ITY- $\frac{3}{8}$ -16 X $\frac{3}{4}$	43613
ITY- $\frac{5}{16}$ -18 X $\frac{3}{4}$	43615
ITY- $\frac{5}{16}$ -18 X 1	44111
ITW- $\frac{7}{16}$ X $\frac{7}{8}$	44188
ITW- $\frac{7}{16}$ X 1	44113
ITW- $\frac{7}{16}$ X 1 $\frac{3}{8}$	44103
IT9000-1- $\frac{1}{2}$ X 1 $\frac{1}{2}$	43228
IT9000-1- $\frac{3}{16}$ X 2	43620
IT3000 Wood Stem*	43611
ITU Bracket $\frac{3}{4}$	46272
ITU Bracket $\frac{5}{8}$	46271
ITH- $\frac{3}{8}$ X 1	43610

\*Socket not included

Body Desc.	Color	Order No.
IT032HN-50	Black	45486
IT032HN-50B	Black	46228
IT03SSH-50	Chrome	45488
IT034HN-50	Brass	46229
IT031HN-50	Antique	46230
IT032HN-50 Soft*	Black	46076
IT032HN-60	Black	46232
IT032HN-60B	Black	46231
IT03SSH-60	Chrome	45476
IT034HN-60	Brass	46233
IT031HN-60	Antique	46234

\*Soft tread

NOTE: Please consult page 26 for pre-assembled twin wheel selection.



# CASTERS

## Twin Wheel Casters

Load Capacity 50-100 Lbs. Each Caster

Nylon hooded caster offers designer styling combined with economy. Independent wheel rotation adds to its already high controlled mobility from deep pile carpeting to slick tile. Meets or exceeds BIFMA Standards.



A



B



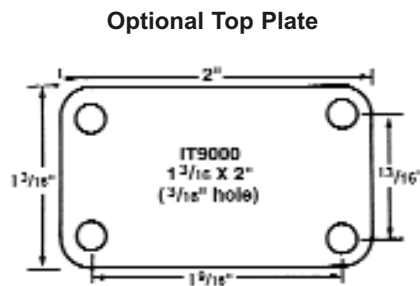
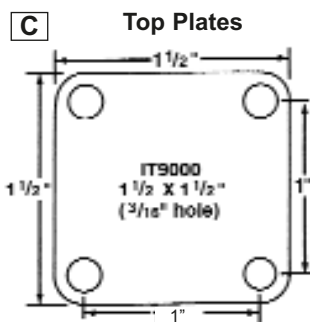
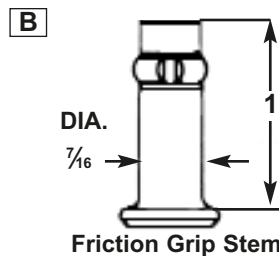
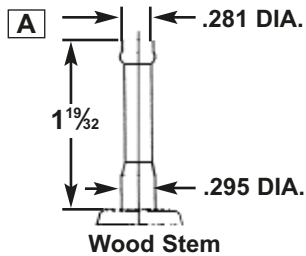
C



D

Dia. (mm)	Load Rating (Lbs.)	Overall Height (In.)	Horn Finish	Caster Desc.	Order No.
<b>Stem Caster for Wood Furniture (A)</b>					
40	50	2 <sup>5</sup> / <sub>32</sub>	Black	IT332HN-40	48104
50	90	2 <sup>1</sup> / <sub>2</sub>	Black	IT332HN-50	48425
50	90	2 <sup>1</sup> / <sub>2</sub>	Brass	IT334HN-50	48046
50	90	2 <sup>1</sup> / <sub>2</sub>	Antique	IT331HN-50	48421
50	90	2 <sup>1</sup> / <sub>2</sub>	Chrome	IT33SSHN-50	48050
<b>Friction Grip Stem (B)</b>					
50	90	2 <sup>1</sup> / <sub>2</sub>	Black	ITW32HN-50	46180
50	90	2 <sup>1</sup> / <sub>2</sub>	Brass	ITW34HN-50	48044
50	90	2 <sup>1</sup> / <sub>2</sub>	Chrome	ITW3SSHN-50	46044
60	100	2 <sup>3</sup> / <sub>4</sub>	Black	ITW32HN-60	45450
60	100	2 <sup>3</sup> / <sub>4</sub>	Chrome	ITW3SSHN-60	45457
<b>Standard Top Plate (C)</b>					
40	50	2 <sup>7</sup> / <sub>32</sub>	Black	IT932HN-40	48106
50	90	2 <sup>11</sup> / <sub>16</sub>	Black	IT932HN-50	48039
50	90	2 <sup>1</sup> / <sub>16</sub>	Brass	IT934HN-50	48041
50	90	2 <sup>1</sup> / <sub>16</sub>	Chrome	IT93SSHN-50	48043
60	100	2 <sup>1</sup> / <sub>16</sub>	Black	IT932HN-60	48414
<b>38mm Barrel, Friction Grip Stem (D)</b>					
50	90	2 <sup>1</sup> / <sub>2</sub>	Black	ITW32EHN-50	46260

CASTERS





## Spring Steel Grip Neck Sleeve

Designed for wood applications, these steel sockets hold grip neck stem casters securely.

Hole Diameter (In.)	Depth (In.)	Description	Caster Series	Socket Desc.	Order No.
$\frac{3}{8}$	$1\frac{5}{8}$	$\frac{3}{4}$ " Toothed Trackplate	Wood Stem	505GN	38372

## Pipe-Thread Socket

Use with EW stem caster.



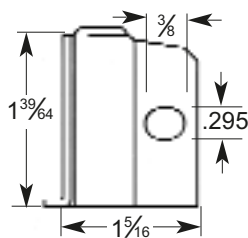
Dia. (In.)	Base (In.)	Socket Desc.	Order No.
$\frac{3}{4}$	1	W44	39549

## Steel Brackets for EW Series Casters

Bolted on or welded, Faultless steel brackets adapt EW Series casters to a wide variety of channel or angle-iron legs.



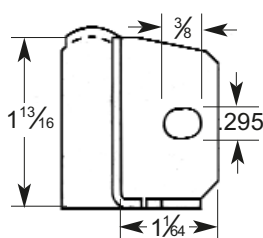
Order No. 39555



No. 49 Bolted For Inside Angle Iron



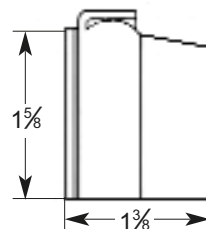
Order No. 39554



No. 48 Bolted For Outside Angle Iron



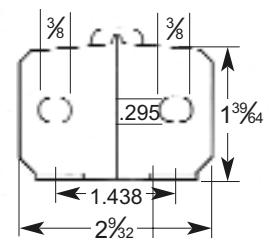
Order No. 42264



No. 52 Welded For Inside Angle Iron



Order No. 39568

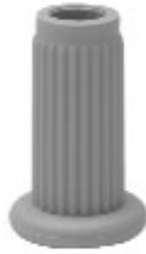


No. 81 Flat Bracket

## Round Tubular



RT



P120



53



54

SOCKETS

Gage	Tube		Caster Series	Minimum Hole		Material	Socket Desc.	Order No.
	ID (In.)	OD (In.)		Depth (In.)				
17	0.571	0.6875	ER	2.25		Steel	53R	42248
17	0.571	0.687	EW	2.25		Steel	54	38393
11	0.578	0.687	X, EX	1.625		P/E	X701	43481
16	0.62	0.75	EW	2.25		Steel	79	39564
18	0.777	0.875	ER, EW	1.812		P/E	P120	43441
18	0.777	0.875	ER, EW	2.125		RT	RT120RD	43400
13	.872	1.062	ER, EW	1.25		P/E	P123	43446
12	0.844	1.062	ER, EW	1.25		P/E	P124	43447
13	0.872	1.062	ER, EW	2.125		RT	RT123RD	43401
18	0.902	1	ER, EW	1.812		P/E	P125	43486
18	0.902	1	ER, EW	2.125		RT	RT125RD	43403
11	1.072	1.312	ER, EW	2.125		RT	RT126RD	43404
16	1.12	1.25	ER, EW	2.125		RT	RT127RD	43405
13	1.31	1.5	ER, EW	2.125		RT	RT1310RD	43515
16	1.37	1.5	ER, EW	2.125		RT	RT1370RD	43409
16	1.495	1.625	ER, EW	2.125		RT	RT1495RD	43520

P/E — Polyethylene  
P/P — Polypropylene  
RT — Reinforced Thermoplastic



# SPECIAL SOCKETS

## Square Tubular



RT



EW4689

Gage	Tube		Caster Series	Minimum Hole	Material	Socket Desc.	Order No.
	ID (In.)	OD (In.)		Depth (In.)			
16	0.62	0.75	ER, EW	2.125	RT	RT620SQ	43531
18	0.652	0.75	ER, EW	2.125	RT	RT650SQ	43530
16	0.87	1	EW	1.312	P/E	EW4689SQ	43484
.080 Wall	0.88	1.04	ER, EW	2.125	RT	RT880SQ	43507
18	0.902	1	ER, EW	2.125	RT	RT902SQ	42254
18	0.902	1	ER	1.875	P/E	ER4983SQ	43491
11	1.01	1.25	ER, EW	2.125	RT	RT1010SQ	43516
16	1.12	1.25	ER, EW	2.125	RT	RT1120SQ	43517
18	1.152	1.25	ER, EW	2.125	RT	RT1150BSQ	43522
18	1.152	1.25	ER, EW	2.125	RT	RT1150SQ	43521
7	1.14	1.5	ER, EW	2.125	RT	RT1140SQ	43518
18	1.402	1.5	ER, EW	2.125	RT	RT1400SQ	43519

P/E — Polyethylene

RT — Reinforced Thermoplastic

- Faultless plastic sockets are designed to retain casters in a wide variety of wood and metal furniture, appliances, and equipment.
- Sockets absorb side thrust shocks, deaden noise, and will not rust.
- Metal sockets and brackets are zinc plated to resist rust.
- R.T. sockets are constructed of reinforced thermoplastic which is virtually indestructible with EW and ER Series Swivel Casters.

SOCKETS

## Rubber Expansion



Socket Desc.	Order No.	Fits Round Tube Size	I.D. Tube Size (In.)	Fits Stem Size (In.)
RX1000	41482	1" - 16 GA	.870 - 1.0	1/2 - 13 x 2 1/8 - 2 1/4
RX1250	41483	1 1/4" - 16 GA	1.120 - 1.25	1/2 - 13 x 2 1/8 - 2 1/4
RX1500	41484	1 1/2" - 16 GA	1.375 - 1.5	1/2 - 13 x 2 1/8 - 2 1/4
RX1620	41485	1 5/8" - 16 GA	1.495 - 1.625	1/2 - 13 x 2 1/8 - 2 1/4

Socket Desc.	Order No.	Fits Square Tube Size	I.D. Tube Size (In.)	Fits Stem Size (In.)
SX1000	41486	1" - 16 GA	.870 - 1.0	1/2 - 13 x 2 1/8 - 2 1/4
SX1250	41487	1 1/4" - 16 GA	1.120 - 1.25	1/2 - 13 x 2 1/8 - 2 1/4
SX1500	41488	1 1/2" - 16 GA	1.375 - 1.5	1/2 - 13 x 2 1/8 - 2 1/4
SX1620	41489	1 5/8" - 16 GA	1.495 - 1.625	1/2 - 13 x 2 1/8 - 2 1/4

Note: Expansion Sockets to be used with 1/2 - 13 threaded stem casters.

## Industrial Duty

Faultless manufactures industrial casters in many types, sizes, and styles — some 10,000 different items in all. To identify them, we've developed an alpha-numerical Industrial Caster Numbering System. The illustration breaks down one caster number into its component parts, so you can see how it works. The chart lists other letters and numbers, and what each one means.

<b>HX</b>	<b>14</b>	<b>41B</b>	<b>8</b>	<b>TSB</b>
Prefix Letter	Rigid or Swivel Construction	Kind of Wheel and Bearing	Wheel Diameter	Suffix Options
<b>A</b> — Special Top Plate Size	<b>1</b> — Swivel	<b>06</b> — Semi-Steel — Roller Bearing	<b>2</b>	<b>B</b> — Variation from standard wheel
	<b>5</b> — Rigid	<b>07</b> — Forged Steel Wheel — Tapered Bearing	<b>2½</b>	
<b>C</b> — Swivel Stem Caster with Brake	<b>3</b> — Swivel	<b>08</b> — Powdered Iron — Plain Bore	<b>3</b>	<b>BM</b> — Black Oxide Finish
	<b>97</b> — Rigid	<b>16</b> — Mold-on Rubber Balloon — Ball Bearing	<b>3½</b>	
<b>D</b> — Special Top Plate Size	<b>4</b> — Swivel	<b>18</b> — Mold-on Rubber — Roller Bearing	<b>4</b>	<b>B &amp; N</b> — Bolt & Nut Axle
	<b>77</b> — Rigid	<b>19</b> — Pneumatic — Ball Bearing	<b>5</b>	
<b>G</b> — Threaded Stem	<b>47</b> — Rigid	<b>21</b> — Soft Rubber	<b>6</b>	<b>CDX</b> — “Condux” (Conductive)
	<b>14</b> — Swivel	<b>27</b> — Hard Rubber	<b>8</b>	
<b>H</b> — Heavy Duty	<b>34</b> — Rigid	<b>30</b> — Phenolic — Delrin or Plain Bearing	<b>10</b>	<b>CT</b> — Zinc Dichromate Finish
<b>HX</b> — Extra Heavy-Duty	<b>12</b> — Swivel	<b>31</b> — Phenolic — Roller Bearing	<b>12</b>	
	<b>32</b> — Rigid	<b>35 or 35H</b> — Glass Filled Nylon — Roller Bearing	<b>14</b>	<b>GS</b> — Grease Seal
<b>K</b> — Swivel Stem	<b>13</b> — Swivel	<b>38HD</b> — Heavy Duty Mold-On Polyurethane—Roller Bearing	<b>16</b>	<b>GSS</b> — Grease Seal Swivel Only
<b>KP</b> — Kingpinless	<b>33</b> — Rigid	<b>38HDT</b> — Heavy Duty —Tapered Roller Bearing		<b>GSW</b> — Grease Seal Wheel Only
<b>N</b> — NSF Approved	<b>15</b> — Swivel	<b>38</b> — Mold-on Urethane — Roller Bearing		<b>PL2</b> — 2 Position Lock
<b>SHX</b> — Spring Action	<b>35</b> — Rigid	<b>40</b> — K-Wheel® — Delrin Bearing		<b>PL4</b> — 4 Position Lock
	<b>16</b> — Swivel	<b>41</b> — K-Wheel® — Roller Bearing		<b>R</b> — Riveted Axle
<b>S</b> — Stainless Steel	<b>36</b> — Rigid	<b>41B</b> —Super K-Wheel® — Precision Ball Bearing		<b>RB</b> — Rollock Brake
	<b>8</b> — Swivel	<b>41T</b> —Super K-Wheel® — Tapered Roller Bearing		<b>SB</b> — Side Brake
	<b>87</b> — Rigid	<b>42</b> — K-Wheel® — Plain Bore		<b>S</b> — Stainless Steel
		<b>43</b> — K-Wheel® — Precision Ball Bearing		<b>TG</b> — Thread Guard
		<b>60</b> — Polypropylene Ribbed — Plain Bearing		<b>TB</b> — Total Brake
		<b>61</b> — Polypropylene Ribbed — Roller Bearing		<b>TSB</b> — Thumb Screw Brake
		<b>60S</b> — Polypropylene — Straight Sided — Plain Bore		<b>V</b> — V-Grooved Wheel
		<b>61S</b> — Polypropylene — Straight Sided — Roller Bearing		<b>WFB</b> — Wheel Face Brake
		<b>64W or 64W-HT</b> — Reinforced Thermoplastic — Plain Bearing		<b>WFCB</b> — Wheel Face Contact Brake
		<b>65W or 65W-HT</b> — Reinforced Thermoplastic — Roller Bearing		<b>ZC</b> — Zinc
		<b>67W or 67W-HT</b> — Reinforced Thermoplastic — Precision Bearing		
		<b>81</b> — Duraflex — Roller Bearing		
		<b>82</b> — Duraflex — Ball Bearing		
		<b>90</b> — Dyna-Tred (TPR) — Delrin Bearing		
		<b>91</b> — Dyna-Tred (TPR) — Roller Bearing		
		<b>92</b> — Dyna-Tred (TPR) — Ball Bearing		
		<b>93</b> — Dyna-Tred (TPR) — Precision Ball Bearing		
		<b>96</b> — Dyna-Tred (PU) — Delrin Bearing		
		<b>97</b> — Dyna-Tred (PU) — Ball Bearing		
		<b>98</b> — Dyna-Tred (PU) — Roller Bearing		
		<b>99</b> — Dyna-Tred (PU) — Precision Ball Bearing		



## Wheel Selection



### Semi-Steel

Cast iron toughened with steel, this wheel has a high load rating and exceptionally long wear life. Recommended for wood and concrete floors. D - N/A, TR -40°F to +800°F (With optional high temp grease)



### Mold-on Rubber (Vulcanized Rubber Tread)

Cushioned rubber tread permanently vulcanized to a semi-steel core is recommended for quiet movement with heavy loads. D - 75A, TR -40°F to +158°F



### Phenolic (Plaskite)

Phenolic compound reinforced with macerated fabric makes a high-strength, high-impact wheel resistant to oil, gasoline, even dilute acids. D - 75D, TR -40°F to +300°F



### Mold-on Polyurethane (Duro Tred)

Polyurethane tread permanently vulcanized to a semi-steel core delivers a cushioned ride, excellent mobility, and long wear under heavy loads. D - 95A, TR -40°F to +180°F



### K-Wheel

High-strength solid urethane withstands extreme temperatures. Load characteristics of steel with smooth ride. Steam cleanable. Also available with Precision Bearing. D - 55D, TR -50°F to +230°F



### Polypropylene (Polyflex)

Polypropylene wheel is light in weight, low in cost, high in impact strength. It resists water and chemical absorption, withstands steam cleaning. D - 60D, TR -20°F to +180°F



### RT

Unique waffle design, specially blended reinforced thermoplastic material and specific processing make for a durable, high performance, cost effective wheel. D - 65D, TR -20°F to +250°F  
**High Temp:**  
D - 65D, TR -20°F to +480°F



### Dyna-Tred TPR

Thermoplastic rubber resists chemicals, high temperatures, and wear. Tough polypropylene hub won't dent, mar, or stain. (Gray Tread) D - 65-70A, TR -40°F to +180°F

\* Also Available Super Soft Version - 55A



### Dyna-Tred PU

High-load capacity and extended wear. Polyurethane resists chemical absorption. Tough polypropylene hub won't dent, fade, or stain. (Red Tread) D - 100A, TR -40°F to +180°F



### Duraflex

Solid cushion tire is puncture proof and impact resistant. Tire is mounted on a rugged corrosion free polypropylene hub. D - 75A, TR -40°F to +158°F



### Balloon Wheel

Solid cushion tire is puncture proof and impact resistant. Tire is mounted on a zinc plate cast iron hub. D - 75A, TR -40°F to +158°F



### Pneumatic

Tube-type, pressurized tire combines shock absorption with quiet operation and easy rolling. TR -40°F to +158°F

D — Denotes Durometer Hardness

TR — Denotes Temperature Range

## Options



Total Lock Brake



Four Position Swivel Lock



Cam-Style Brake



Rollock Brake



Grease Seal

## Series 100-500

Load Capacity 90-450 Lbs. Each Caster

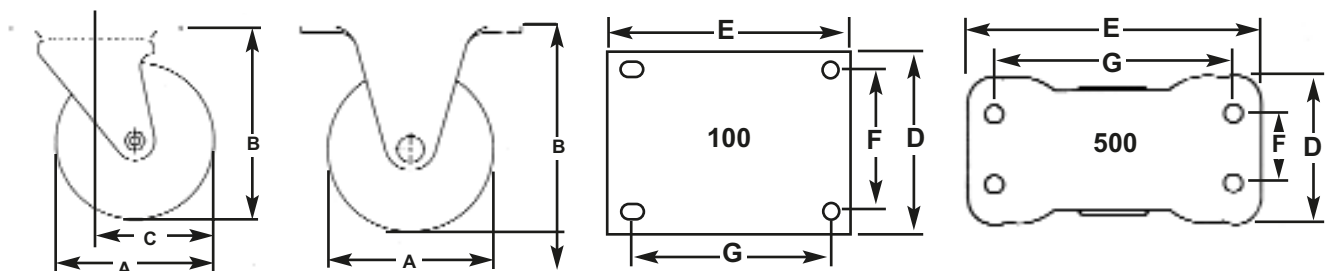
Recommended for general warehouse and factory applications such as furniture dollies, laundry carts, bakery racks, and tool boxes; a good combination of strength, durability, and economy.



# CASTERS

- **Swivel Casters** — Horn and bearing race way are formed from a single piece of heavy-gauge steel, deeply corrugated to withstand stress and prevent distortion under full rated load
- **Load Bearing** — Single row of hardened, polished ball bearings roll freely in a large-diameter, lubricated raceway
- **Kingpin** — Riveted and coined for durability in rated service
- **Wheel Bearings** — Plain sealed ball bearings and precision bearings
- **Finish** — Corrosion-resistant zinc

Wheel Dia. (In.) (A)	Overall Ht. (In.) (B)	Axle Size (In.)	Swivel Radius (In.) (C)	100 Series Swivel		Mounting Bolt Dia. (In.) Swivel & Rigid	500 Series Rigid	
				Size of Top Plate (In.) (DxE)	Mounting Hole Spacing (In.) (FxG)		Size of Top Plate (In.) (DxE)	Mounting Hole Spacing (In.) (FxG)
2	2½	¼	1 11/16	1 7/8 x 2 9/16	1 5/16 x 2 1/8	¼	1 ½ x 2 21/32	1 5/16 x 2 1/8
2½	3 3/16	5/16	2 ¼	2 ¾ x 3 13/16	1 ¾ x 3	5/16	2 ¼ x 4 7/16	1 1/16 x 3 ½
3	3 13/16	3/8	2 3/8	3 1/8 x 4 1/8	2 3/8 x 3 3/8 to 3 7/16	5/16	2 ½ x 4 15/16	1 3/16 x 4
4	5	7/16	3 3/16	4 x 5 1/8	3 x 4	3/8	3 1/8 x 6 ¼	1 ¾ x 5





Load Capacity 90-450 Lbs. Each Caster

Wheel Dia. (In.)	Tread Width (In.)	Wheel Material	Wheel Bearing	Load Rating (Lbs.)	Swivel Caster Desc.	Order No.	Rigid Caster Desc.	Order No.
2	3/4	Dyna-Tred TPR	Delrin	90	190-2R	25030	590-2R	24922
		Dyna-Tred TPR	Delrin	90	190-2RSB	24856	-	-
		Dyna-Tred PU	Delrin	100	196-2R	24873	596-2R	24914
		Dyna-Tred PU	Delrin	100	196-2RSB	24874	-	-
	1	Sintered Iron	Plain	150	108-2R	25028	508-2R	25705
		Soft Rubber	Plain	90	121-2R	25082	521-2R	25748
		Soft Rubber	Plain	90	121-2RSB	25086	-	-
		Hard Rubber	Plain	150	127-2R	25124	527-2R	25783
		Hard Rubber	Plain	150	127-2RSB	25125	-	-
		Polypropylene	Plain	150	160-2R	25190	560-2R	25827
2 1/2	1	Sintered Iron	Plain	200	108-2 1/2 R	25036	508-2 1/2 R	25709
	1 1/8	Soft Rubber	Plain	100	121-2 1/2 R	25083	521-2 1/2 R	25749
		Soft Rubber	Plain	100	121-2 1/2 SB B&N	25160	-	-
		Hard Rubber	Plain	200	127-2 1/2 R	25128	527-2 1/2 R	25785
		Hard Rubber	Plain	200	127-2 1/2 SB B&N	25131	-	-
		Polypropylene	Plain	200	160-2 1/2 R	25188	560-2 1/2 R	25828
3	1 3/16	Sintered Iron	Plain	300	108-3R	25049	508-3R	25713
	1 1/4	Dyna-Tred TPR	Delrin	180	190-3R	24867	590-3R	24915
		Dyna-Tred TPR	Delrin	180	190-3SB B&N	24868	-	-
		Dyna-Tred TPR	Precision	180	193-3RTG	24870	593-3RTG	24917
		Dyna-Tred PU	Delrin	225	196-3R	24875	596-3R	24916
		Dyna-Tred PU	Delrin	225	196-3SB	24876	-	-
		Dyna-Tred PU	Precision	225	199-3RTG	24878	599-3RTG	24918
	1 1/4	Soft Rubber	Plain	175	121-3R	25091	521-3R	25752
		Soft Rubber	Plain	175	121-3SB B&N	25095	-	-
		Hard Rubber	Plain	270	127-3R	25136	527-3R	25787
		Hard Rubber	Plain	270	127-3SB B&N	25151	-	-
		Phenolic	Plain	300	130-3 B&N	25174	530-3 B&N	25812
		Phenolic	Roller	300	131-3 B&N	25179	531-3 B&N	25814
		Phenolic	Roller	300	131-3TG B&N	25180	531-3TG B&N	25815
Polypropylene		Plain	270	160-3R	25189	560-3R	25829	
4	1 5/16	Soft Rubber	Plain	225	121-4R	25098	521-4R	25756
		Soft Rubber	Plain	225	121-4SB B&N	25096	-	-
		Hard Rubber	Plain	350	127-4R	25149	527-4R	25790
		Hard Rubber	Plain	350	127-4SB B&N	25176	-	-
		Polypropylene	Plain	350	160-4R	25191	560-4R	25830
	1 3/8	Sintered Iron	Plain	450	108-4R	25057	508-4R	25717
	1 5/8	Soft Rubber	Plain	240	121-4BR	25100	521-4BR	25760
		Hard Rubber	Plain	420	127-4BR	25153	527-4BR	25793
		Phenolic	Roller	450	131-4 B&N	25181	531-4 B&N	25818

NOTE: Brakes not available on precision bearing wheels

## Options



SIDE BRAKE\*



THREAD GUARD\*

\*Side Brake: Foot-operated friction brake positively locks wheel; suffix "SB"

\*Thread Guard: Large diameter thread guards prevent loose threads and lint from binding wheel; suffix "TG"

## Series 400-7700

Load Capacity 100-400 Lbs. Each Caster

Recommended for tool boxes, bakery racks, dollies, stock trucks, hotel trucks, and other institutional uses requiring good mobility.



CASTERS

- **Swivel Casters** — Heavy-gauge steel top plate is attached to a full-drawn steel horn with hardened raceways
- **Load Bearings** — Two full, independent rows of hardened, polished ball bearings roll freely in large-diameter, lubricated raceways
- **Kingpin** — Fully annealed kingpin holds raceways precisely in alignment
- **Wheel Bearings** — Plain sealed ball bearings and precision bearings
- **Finish**—Corrosion-resistant zinc

### Wheel Options



Dyna-Tred TPR  
Grey Tread



Dyna-Tred PU  
Dark Grey Tread



RT



K-Wheel



Hard rubber



Polypropylene



Soft Rubber



## Series 400-7700

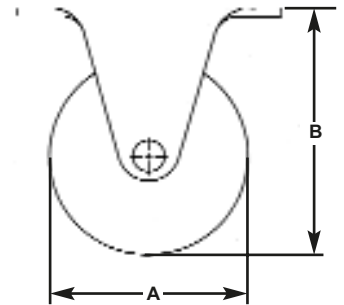
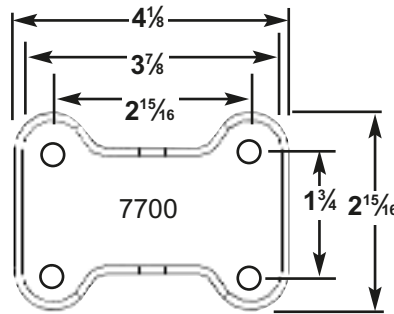
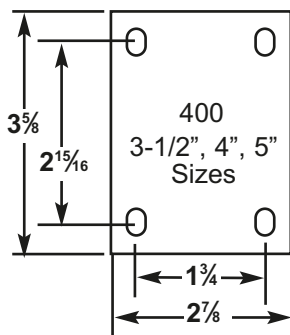
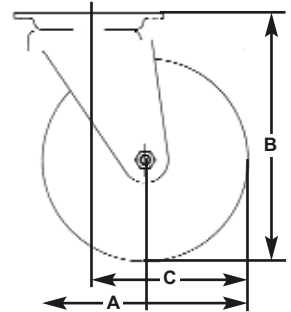
Load Capacity 100-400 Lbs. Each Caster

<b>Wheel Diameter (A)</b>	2½"	3"	3½"	4"	5"	6"
<b>Overall Height (B)</b>	3⅝"	3⅜"	4¾"	5"	6⅛"	7⅛"
<b>Swivel Radius (C)</b>	2⅝"	2¾"	3⅜"	3⅜"	3⅝"	4⅝"

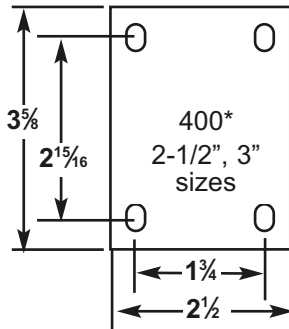
**OPTIONS:**

1. Rollock Brake (Add RB Suffix - Ex: 496-4RB) 3½", 4", 5" Swivel Casters only.
2. Thread Guards (Add TG Suffix - Ex: 427-4SB)
3. Side Brake (Add SB Suffix - Ex: 496-4TG)
4. Wheel Face Brake (Add WFB Suffix - Ex: 496-4WFB)

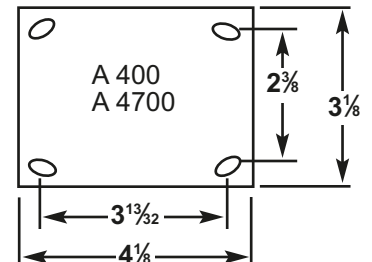
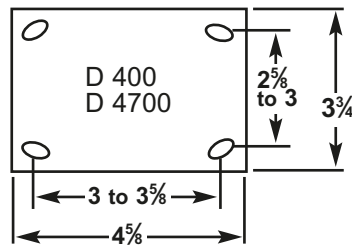
**NOTE:** Wheel Face Brake should not be used with High Temperature RT Wheel Casters. Bolt and Nut Axle assembly standard on this product line.



Mounting Bolt Dia. — ⅝"  
Axle Size — ⅜"; \*2½"x1⅜" axle size is ⅝"



**OPTIONAL TOP PLATES**



Optional Top Plates: Add "A" or "D" prefix to caster number - Ex: A421-3

\*This top plate is also used on H400

### Options



**Wheel Face Brake**



**Side Brake**



**Thread Guard\***



**Rollock Brake**

\*Side Brake: Foot-operated friction brake positively locks wheel; suffix "SB"

\*Thread Guard: Large diameter thread guards prevent loose threads and lint from binding wheel; suffix "TG"

# Series 400-7700



Load Capacity 100-400 Lbs. Each Caster

Wheel Dia. (In.)	Tread Width (In.)	Wheel Material	Wheel Bearing	Load Rating (Lbs.)	Swivel Caster Desc.	Order No.	Rigid Caster Desc.	Order No.	
2½	1⅛	Soft Rubber	Plain	100	421-2½	25424	7721-2½	25110	
		Hard Rubber	Plain	200	427-2½	25447	7727-2½	25111	
		Polypropylene	Plain	200	460-2½	25436	7760-2½	25112	
3	1¼	Soft Rubber	Plain	175	421-3	24578	7721-3	25113	
		Hard Rubber	Plain	270	427-3	25451	7727-3	25114	
		K-Wheel	Plain	270	442-3	25361	7742-3	25115	
		Polypropylene	Plain	270	460-3	25518	7760-3	25116	
		Dyna-Tred TPR	Delrin	180	490-3	25872	7790-3	27436	
		Dyna-Tred TPR	Precision	180	493-3TG	25873	7793-3TG	27437	
		Dyna-Tred PU	Delrin	225	496-3	25874	7796-3	27433	
		Dyna-Tred PU	Precision	225	499-3TG	25875	7799-3TG	27434	
3½	1¼	Dyna-Tred TPR	Delrin	225	490-3½	25655	7790-3½	27274	
		Dyna-Tred TPR	Precision	225	493-3½TG	25910	7793-3½TG	27169	
		Dyna-Tred PU	Delrin	250	496-3½	25658	7796-3½	27277	
		Dyna-Tred PU	Precision	250	499-3½TG	25911	7799-3½TG	27170	
	1⅝	Soft Rubber	Plain	200	421-3½	25408	7721-3½	25118	
		Soft Rubber	Plain	200	A421-3½TG	25496	A4721-3½TG	27207	
		Hard Rubber	Plain	275	427-3½	25510	7727-3½	25119	
		Hard Rubber	Plain	275	A427-3½	25511	A4727-3½	27208	
		Hard Rubber	Plain	275	D427-3½	25531	D4727-3½	27235	
		Polypropylene	Plain	275	460S-3½	25940	7760S-3½	27191	
	1½	RT Wheel - Standard	Plain	400	464W-3½	25884	7764W-3½	27430	
		RT Wheel - High Temp.	Plain	400	464W-HT-3½	25881	7764W-HT-3½	27427	
4	1¼	Soft Rubber	Plain	200	421-4	25413	7721-4	27280	
		Soft Rubber	Plain	200	A421-4	25532	A4721-4	27213	
		Hard Rubber	Plain	275	427-4	25460	7727-4	25099	
		Hard Rubber	Plain	275	A427-4	25514	A4727-4	27307	
		K-Wheel	Plain	400	442-4	25362	7742-4	25102	
		Polypropylene	Plain	300	460S-4	25475	7760S-4	25105	
		Dyna-Tred TPR	Delrin	250	490-4	25656	7790-4	27275	
		Dyna-Tred TPR	Precision	250	493-4TG	25916	7793-4TG	27233	
	1½	Dyna-Tred PU	Delrin	300	496-4	25659	7796-4	27278	
		Dyna-Tred PU	Precision	300	499-4TG	25917	7799-4TG	27234	
		Polypropylene	Plain	350	A460S-4	25465	A4760S-4	27209	
		RT Wheel - Standard	Plain	400	464W-4	25885	7764W-4	27431	
		RT Wheel - High Temp.	Plain	400	464W-HT-4	25882	7764W-HT-4	27428	
		RT Wheel - High Temp.	Plain	400	A464W-HT-4	25890	-	-	
5	1¼	Soft Rubber	Plain	200	421-5	25533	7721-5	27281	
		Soft Rubber	Plain	200	A421-5	25530	A4721-5	27310	
		Hard Rubber	Plain	300	427-5	25467	7727-5	25109	
		Hard Rubber	Plain	300	A427-5	25506	A4727-5	27313	
		K-Wheel	Plain	400	442-5	25364	7742-5	27299	
		Polypropylene	Plain	350	460S-5	25519	7760S-5	27293	
		Dyna-Tred TPR	Delrin	300	490-5	25657	7790-5	27276	
		Dyna-Tred TPR	Precision	300	493-5TG	25928	7793-5TG	27311	
	1½	Dyna-Tred PU	Delrin	325	496-5	25660	7796-5	27279	
		Dyna-Tred PU	Precision	325	499-5TG	25929	7799-5TG	27312	
		RT Wheel - Standard	Plain	400	464W-5	25886	7764W-5	27432	
		RT Wheel - High Temp.	Plain	400	464W-HT-5	25883	7764W-HT-5	27429	
	2	Polypropylene	Plain	400	460-5	25937	7760-5	27392	
		Polypropylene	Plain	400	460-5RB	25971	-	-	
	6	1⅜	Dyna-Tred TPR	Delrin	325	490-6	25743	4790-6	27257
			Dyna-Tred TPR	Sealed Ball	325	492-6	25938	4792-6	27251
Dyna-Tred PU			Delrin	350	496-6	25979	4796-6	27240	
Dyna-Tred PU			Sealed Ball	350	497-6	25706	4797-6	27241	

Other wheel materials available. Contact factory. See page 34 for dimensional chart.



# LIGHT MEDIUM DUTY



## Series 800/8700

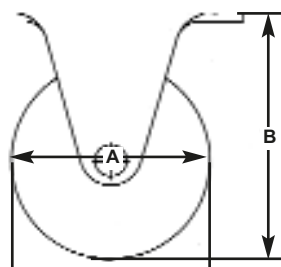
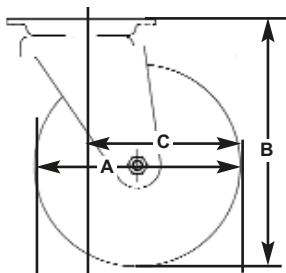
Load Capacity 180-325 Lbs. Each Caster

This product line offers the feature of a total lock brake, which locks the wheel and swivel simultaneously. This series has similar characteristic and applications to our 400 series, including the same top plate dimensions. The series also has an identical matching series made of Stainless steel, the S800 series.

Wheel Dia. (In.)	Tread Width (In.)	Wheel Material	Wheel Bearing	Load Rating (Lbs.)	Swivel Caster Desc.	Order No.	Rigid Caster Desc.	Order No.
3	1 1/4	Dyna-Tred TPR	Delrin	180	890-3	24004	8790-3	36016
		Dyna-Tred TPR	Delrin	180	890-3-TB	24005	—	—
		Dyna-Tred TPR	Precision	180	893-3	24006	8793-3	36018
		Dyna-Tred TPR	Precision	180	893-3-TB	24007	—	—
		Dyna-Tred PU	Delrin	225	896-3	24008	8796-3	36020
		Dyna-Tred PU	Delrin	225	896-3-TB	24009	—	—
		Dyna-Tred PU	Precision	225	899-3	24010	8799-3	36022
		Dyna-Tred PU	Precision	225	899-3-TB	24011	—	—
3 1/2	1 1/4	Available - Contact Factory						
4	1 1/4	Dyna-Tred TPR	Delrin	250	890-4	24012	8790-4	36024
		Dyna-Tred TPR	Delrin	250	890-4-TB	24013	—	—
		Dyna-Tred TPR	Precision	250	893-4	24014	8793-4	36026
		Dyna-Tred TPR	Precision	250	893-4-TB	24015	—	—
		Dyna-Tred PU	Delrin	300	896-4	24016	8796-4	36028
		Dyna-Tred PU	Delrin	300	896-4-TB	24017	—	—
		Dyna-Tred PU	Precision	300	899-4	24018	8799-4	36130
		Dyna-Tred PU	Precision	300	899-4-TB	24019	—	—
5	1 1/4	Dyna-Tred TPR	Delrin	300	890-5	24020	8790-5	36132
		Dyna-Tred TPR	Delrin	300	890-5-TB	24021	—	—
		Dyna-Tred TPR	Precision	300	893-5	24022	8793-5	36134
		Dyna-Tred TPR	Precision	300	893-5-TB	24023	—	—
		Dyna-Tred PU	Delrin	325	896-5	24024	8796-5	36136
		Dyna-Tred PU	Delrin	325	896-5-TB	24025	—	—
		Dyna-Tred PU	Precision	325	899-5	24026	8799-5	36138

CASTERS

Contact factory for the following: \* Directional locks, Hollow King Pin Casters, and other wheel materials.



800 Total Lock

Wheel Diameter (A)	3"	4"	5"
Overall Height (B)	4-3/8"	5-7/16"	6-1/2"
Swivel Radius (C)	4-1/8"	4-1/8"	4-1/8"

800 Swivel

Wheel Diameter (A)	3"	4"	5"
Overall Height (B)	4-3/8"	5-7/16"	6-1/2"
Swivel Radius (C)	3-1/8"	3-5/8"	4-1/8"

### Top Plate Specs

Rigid & Swivel Mounting Bolt Spacing — 1-3/4" x 2-15/16"

Swivel Overall Plate Dimensions — 2-7/8" x 3-5/8"

Rigid Overall Plate Dimensions — 2-15/16" x 4-1/8"

Mounting Bolt Dia. — 5/16"  
Axle Size — 3/8"

## Series S800/8700 (Stainless Steel)

Load Capacity 180-325 Lbs. Each Caster

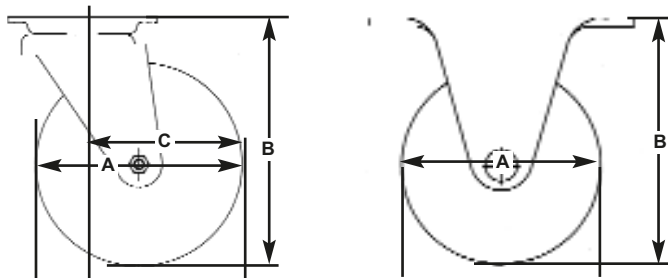
This series is the sister to our 800 series. All functions and dimensions are the same except this series is manufactured in stainless steel.



CASTERS

Wheel Dia. (In.)	Tread Width (In.)	Wheel Material	Wheel Bearing	Load Rating (Lbs.)	Swivel Caster Desc.	Order No.	Rigid Caster Desc.	Order No.
3	1¼	Dyna-Tred TPR	Delrin	180	S890-3	24056	S8790-3	36120
		Dyna-Tred TPR	Delrin	180	S890-3-TB	24057	—	—
		Dyna-Tred TPR	Precision	180	S893-3	24058	S8793-3	36122
		Dyna-Tred TPR	Precision	180	S893-3-TB	24059	—	—
		Dyna-Tred PU	Delrin	225	S896-3	24060	S8796-3	36124
		Dyna-Tred PU	Delrin	225	S896-3-TB	24061	—	—
		Dyna-Tred PU	Precision	225	S899-3	24062	S8799-3	36126
3½	1¼	Available - Contact Factory						
		Dyna-Tred PU	Precision	225	S899-3-TB	24063	—	—
4	1¼	Dyna-Tred TPR	Delrin	250	S890-4	24064	S8790-4	36128
		Dyna-Tred TPR	Delrin	250	S890-4-TB	24065	—	—
		Dyna-Tred TPR	Precision	250	S893-4	24066	S8793-4	36130
		Dyna-Tred TPR	Precision	250	S893-4-TB	24067	—	—
		Dyna-Tred PU	Delrin	300	S896-4	24068	S8796-4	36132
		Dyna-Tred PU	Delrin	300	S896-4-TB	24069	—	—
		Dyna-Tred PU	Precision	300	S899-4	24070	S8799-4	36134
		Dyna-Tred PU	Precision	300	S899-4-TB	24071	—	—
5	1¼	Dyna-Tred TPR	Delrin	300	S890-5	24072	S8790-5	36136
		Dyna-Tred TPR	Delrin	300	S890-5-TB	24073	—	—
		Dyna-Tred TPR	Precision	300	S893-5	24074	S8793-5	36138
		Dyna-Tred TPR	Precision	300	S893-5-TB	24075	—	—
		Dyna-Tred PU	Delrin	325	S896-5	24076	S8796-5	36140
		Dyna-Tred PU	Delrin	325	S896-5-TB	24077	—	—
		Dyna-Tred PU	Precision	325	S899-5	24078	S8799-5	36142
		Dyna-Tred PU	Precision	325	S899-5-TB	24079	—	—

Contact factory for the following: \* Directional locks, Hollow King Pin Casters, and other wheel materials.



800 Total Lock

Wheel Diameter (A)	3"	4"	5"
Overall Height (B)	4-3/8"	5-7/16"	6-1/2"
Swivel Radius (C)	4-1/8"	4-1/8"	4-1/8"

800 Swivel

Wheel Diameter (A)	3"	4"	5"
Overall Height (B)	4-3/8"	5-7/16"	6-1/2"
Swivel Radius (C)	3-1/8"	3-5/8"	4-1/8"

Mounting Bolt Dia. — 5/16"

Axle Size — 3/8"

### Top Plate Specs

Rigid & Swivel Mounting Bolt Spacing — 1-3/4" x 2-15/16"

Swivel Overall Plate Dimensions — 2-7/8" x 3-5/8"

Rigid Overall Plate Dimensions — 2-15/16" x 4-1/8"



## MEDIUM HEAVY DUTY

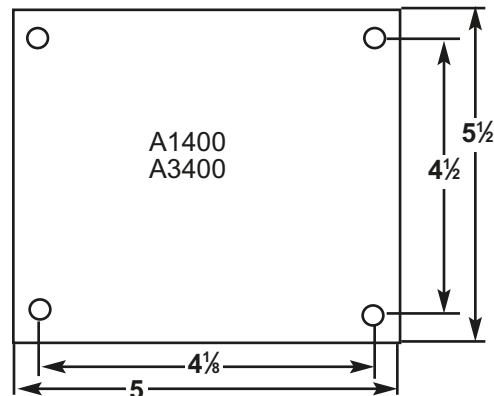
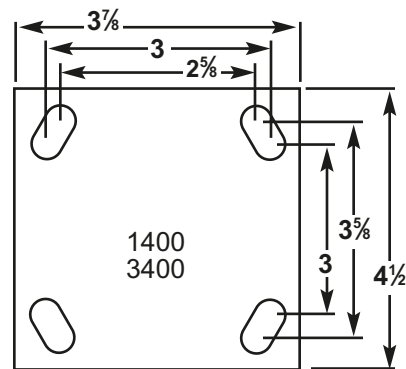
### Series 1400-3400

Load Capacity 300-1,050 Lbs. Each Caster



This series is the everyday workhorse of our caster line. Its versatility with a broad wheel selection makes it ideal for most general medium-heavy duty industrial applications, such as platform trucks, wire shelving, and other warehouse trucks and carts for commercial use.

- **Top Plate** — Made from  $\frac{1}{4}$ " carbon steel, heat treated to give added strength
- **Upper Raceway** — Coined  $\frac{5}{16}$ " raceway provides top performance under maximum rated loads
- **Lower Raceway** —  $\frac{1}{4}$ " diameter, hardened ball bearings roll freely in a hardened raceway
- **Kingpin** — Cold headed  $\frac{3}{4}$ " diameter kingpin holds raceways precisely in alignment
- **Horn Side Members** — Formed steel is welded to cold formed steel upper raceway
- **Wheel Bearings** — Plain, self-lubricating or roller bearings and precision bearings are available
- **Lubrication** — Fittings are installed for both swivel raceway and wheel bearings as required
- **Finish** — Corrosion-resistant zinc



Optional Top Plate:  
Add A Prefix - Ex: A1431-6

Refer to page 31 for wheel selections.

CASTERS

# Series 1400-3400



Load Capacity 300-1,050 Lbs. Each Caster

Wheel Dia. (In.)	Tread Width (In.)	Wheel Material	Wheel Bearing	Load Rating (Lbs.)	Swivel Caster Desc.	Order No.	Rigid Caster Desc.	Order No.
4	2	Semi-Steel	Roller	700	1406-4x2	26926	3406-4x2	27160
		Mold-on Rubber	Roller	380	1418-4x2	26837	3418-4x2	27127
		RT Wheel - Standard	Delrin	400	1464W-4x2	26221	3464W-4x2	27442
		RT Wheel - High Temp.	H.T. Bushing	400	1464W-HT-4x2	26400	3464W-HT-4x2	27484
		RT Wheel - Standard	Roller	700	1465W-4x2	26222	3465W-4x2	27443
		RT Wheel - High Temp.	Roller	700	1465W-HT-4x2	26401	3465W-HT-4x2	27482
		RT Wheel - Standard	Precision	700	1467W-4x2	26223	3467W-4x2	27444
		RT Wheel - High Temp.	Precision	700	1467W-HT-4x2	26402	3467W-HT-4x2	27485
		Mold-on Polyurethane	Roller	700	1438-4x2	26822	3438-4x2	27159
		K-Wheel	Delrin	700	1440-4x2	26764	3440-4x2	27040
		K-Wheel	Roller	700	1441-4x2	26780	3441-4x2	27045
		K-Wheel	Precision	700	1443-4x2	26897	3443-4x2	27529
		Polypropylene	Plain	400	1460-4x2	26905	3460-4x2	27075
		Polypropylene	Roller	400	1461-4x2	26908	3461-4x2	27079
		Dyna-Tred TPR	Delrin	350	1490-4x2	26212	3490-4x2	27162
		Dyna-Tred TPR	Roller	350	1491-4x2	26214	3491-4x2	27474
		Dyna-Tred TPR	Precision	350	1493-4x2	26903	3493-4x2	27533
		Dyna-Tred PU	Delrin	600	1496-4x2	26213	3496-4x2	27090
		Dyna-Tred PU	Roller	600	1498-4x2	26215	3498-4x2	27475
		Dyna-Tred PU	Precision	600	1499-4x2	26916	3499-4x2	27534
Phenolic	Roller	700	1431-4x2	26819	3431-4x2	27115		
5	2	Semi-Steel	Roller	900	1406-5x2	26814	3406-5x2	27123
		Mold-on Rubber	Roller	380	1418-5x2	26840	3418-5x2	27129
		RT Wheel - Standard	Delrin	650	1464W-5x2	26226	3464W-5x2	27462
		RT Wheel - High Temp.	H.T. Bushing	650	1464W-HT-5x2	26403	3464W-HT-5x2	27486
		RT Wheel - Standard	Roller	900	1465W-5x2	26229	3465W-5x2	27465
		RT Wheel - High Temp.	Roller	900	1465W-HT-5x2	26404	3465W-HT-5x2	27487
		RT Wheel - Standard	Precision	900	1467W-5x2	26232	3467W-5x2	27468
		RT Wheel - High Temp.	Precision	900	1467W-HT-5x2	26405	3467W-HT-5x2	27488
		Mold-on Polyurethane	Roller	900	1438-5x2	26832	3438-5x2	27151
		K-Wheel	Delrin	900	1440-5x2	26768	3440-5x2	27041
		K-Wheel	Roller	900	1441-5x2	26784	3441-5x2	27046
		K-Wheel	Precision	900	1443-5x2	26898	3443-5x2	27530
		Polypropylene	Plain	500	1460-5x2	26906	3460-5x2	27076
		Polypropylene	Roller	500	1461S-5x2	26909	3461S-5x2	27080
		Dyna-Tred TPR	Delrin	450	1490-5x2	26724	3490-5x2	27027
		Dyna-Tred TPR	Roller	450	1491-5x2	26982	3491-5x2	27033
		Dyna-Tred TPR	Precision	450	1493-5x2	26904	3493-5x2	27535
		Dyna-Tred PU	Delrin	750	1496-5x2	26727	3496-5x2	27030
		Dyna-Tred PU	Roller	750	1498-5x2	26985	3498-5x2	27036
		Dyna-Tred PU	Precision	750	1499-5x2	26917	3499-5x2	27536
Phenolic	Delrin	900	1430-5x2	26810	3430-5x2	25073		
Phenolic	Roller	900	1431-5x2	26816	3431-5x2	27114		
6	1½	Duraflex	Roller	300	1481-6x1½	26977	3481-6x1½	27153
	2	Semi-Steel	Roller	900	1406-6x2	26811	3406-6x2	27124
		Mold-on Rubber	Roller	420	1418-6x2	26827	3418-6x2	27111
		RT Wheel - Standard	Delrin	650	1464W-6x2	26227	3464W-6x2	27463
		RT Wheel - High Temp.	H.T. Bushing	650	1464W-HT-6x2	26406	3464W-HT-6x2	27489
		RT Wheel - Standard	Roller	900	1465W-6x2	26230	3465W-6x2	27466
		RT Wheel - High Temp.	Roller	900	1465W-HT-6x2	26407	3465W-HT-6x2	27490
		RT Wheel - Standard	Precision	900	1467W-6x2	26233	3467W-6x2	27469
		RT Wheel - High Temp.	Precision	900	1467W-HT-6x2	26408	3467W-HT-6x2	27491
		Mold-on Polyurethane	Roller	900	1438-6x2	26828	3438-6x2	27120
		K-Wheel	Delrin	900	1440-6x2	26772	3440-6x2	27042

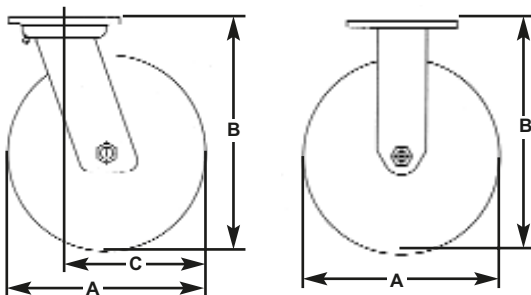




## Series 1400-3400

Load Capacity 300-1,050 Lbs. Each Caster

Wheel Dia. (In.)	Tread Width (In.)	Wheel Material	Wheel Bearing	Load Rating (Lbs.)	Swivel Caster Desc.	Order No.	Rigid Caster Desc.	Order No.
6	2	K-Wheel	Roller	900	1441-6x2	26690	3441-6x2	27047
		K-Wheel	Precision	900	1443-6x2	26899	3443-6x2	27531
		Polypropylene	Plain	550	1460-6x2	26885	3460-6x2	27077
		Polypropylene	Roller	550	1461-6x2	26910	3461-6x2	27081
		Dyna-Tred TPR	Delrin	550	1490-6x2	26725	3490-6x2	27028
		Dyna-Tred TPR	Roller	550	1491-6x2	26723	3491-6x2	27155
		Dyna-Tred TPR	Precision	550	1493-6x2	26486	3493-6x2	27398
		Dyna-Tred PU	Delrin	900	1496-6x2	26728	3496-6x2	27031
		Dyna-Tred PU	Roller	900	1498-6x2	26986	3498-6x2	27037
		Dyna-Tred PU	Precision	900	1499-6x2	26771	3499-6x2	27102
		Phenolic	Delrin	900	1430-6x2	26809	3430-6x2	27154
		Phenolic	Roller	900	1431-6x2	26817	3431-6x2	27116
		Ballon	Ball	300	1416-6x2	26801	3416-6x2	27084
8	2	Semi-Steel	Roller	1050	1406-8x2	26813	3406-8x2	27125
		Mold-On Rubber	Roller	500	1418-8x2	26823	3418-8x2	27112
		RT-Wheel - Standard	Delrin	675	1464W-8x2	26228	3464W-8x2	27464
		RT-Wheel -HighTemp.	H.T. Bushing	675	1464W-HT-8x2	26409	3464W-HT-8x2	27496
		RT-Wheel - Standard	Roller	1050	1465W-8x2	26231	3465W-8x2	27467
		RT-Wheel -HighTemp.	Roller	1050	1465W-HT-8x2	26410	3465W-HT-8x2	27497
		RT-Wheel - Standard	Precision	1050	1467W-8x2	26234	3467W-8x2	27470
		RT-Wheel -HighTemp.	Precision	1050	1467W-HT-8x2	26411	3467W-HT-8x2	27498
		Mold-On Polyurethane	Roller	1000	1438-8x2	26829	3438-8x2	27130
		K-Wheel	Delrin	1050	1440-8x2	26776	3440-8x2	27044
		K-Wheel	Roller	1050	1441-8x2	26694	3441-8x2	27048
		K-Wheel	Precision	1050	1443-8x2	26900	3443-8x2	27532
		Polypropylene	Plain	600	1460-8x2	26907	3460-8x2	27078
		Polypropylene	Roller	600	1461-8x2	26911	3461-8x2	27082
		Duraflex	Roller	500	1481-8x2	26979	3481-8x2	27161
		Dyna-Tred TPR	Delrin	700	1490-8x2	26726	3490-8x2	27029
		Dyna-Tred TPR	Roller	700	1491-8x2	26984	3491-8x2	27035
		Dyna-Tred TPR	Precision	700	1493-8x2	26920	3493-8x2	27537
		Dyna-Tred PU	Delrin	1000	1496-8x2	26729	3496-8x2	27032
		Dyna-Tred PU	Roller	1000	1498-8x2	26987	3498-8x2	27038
Dyna Tred PU	Precision	1000	1499-8x2	26921	3499-8x2	27538		
Phenolic	Delrin	1050	1430-8x2	26548	3430-8x2	25053		
Phenolic	Roller	1050	1431-8x2	26818	3431-8x2	27118		



Mounting Bolt Diameter —  $\frac{3}{8}$ "

Axle Size —  $\frac{1}{2}$ "

Wheel Diameter (A)	4"	5"	6"	8"
Overall Height (B)	5 $\frac{5}{8}$ "	6 $\frac{1}{2}$ "	7 $\frac{1}{2}$ "	9 $\frac{1}{2}$ "
Swivel Radius (C)	3 $\frac{3}{4}$ "	4 $\frac{1}{4}$ "	5"	6 $\frac{1}{2}$ "

### OPTIONS:

1. Rollock Brake (Add RB Suffix - Ex: 1491-6RB)  
See accessory page 6
2. Grease Seals (Add GS Suffix - Ex: 1491-6GS)  
See accessory page 6
3. Cam Style Brake (Add SB Suffix - Ex: 1491-6SB)  
See accessory page 7
4. Thread Guard, contact factory (Add TG suffix - Ex: 1491-6TG)
5. PL4 Field Mountable Four Position Swivel Lock available. See accessory page 7
6. Total Lock (Add TB Suffix - Ex: 1491-6TB) See accessory page 7

## Stainless Steel 1400/3400

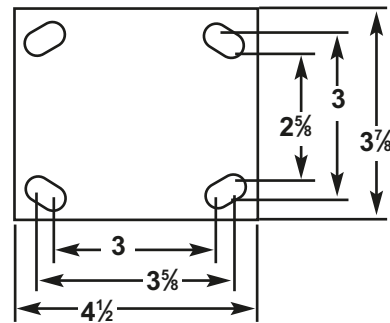
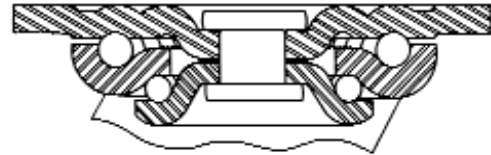
Load Capacity 450-1,050 Lbs. Each Caster

Our popular 1400 series now available in a tough, all-stainless steel construction. Ideal for all demanding medium-heavy duty applications in corrosive environments. S1400 Casters are compatible with the full array of Faultless high performance wheels and accessories. High performance wheels are standard with Delrin bearings for performance in chemicals, oils, or wash down applications.



CASTERS

- **Horn Side Member** — 8-gauge thick stainless steel (Grade 304) is welded to cold forged top plate
- **Upper Raceway** — Fully hardened  $\frac{5}{16}$ " diameter stainless steel ball bearings in a large diameter raceway provide top performance under maximum rated loads
- **Lower Raceway** — Large diameter,  $\frac{1}{4}$ " hardened stainless steel ball bearings roll freely in a large diameter lubricated raceway
- **Kingpin** — Cold headed  $\frac{3}{4}$ " diameter kingpin holds raceways precisely in alignment
- **Wheel Bearings** — Plain, Delrin, or sealed roller bearings are also available



### Wheel Options



Dyna-Tred TPR



Dyna-Tred PU



Polypropylene



Phenolic



K-Wheel



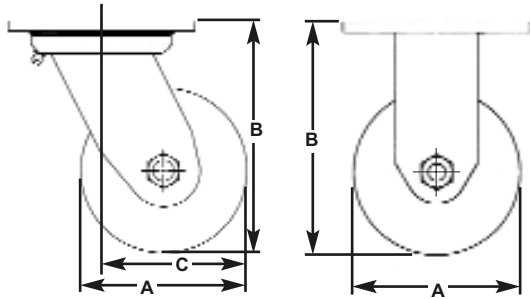
RT Wheel




## Stainless Steel 1400-3400 Series

Load Capacity 450-1,050 Lbs. Each Caster


Wheel Dia. (In.)	Tread Width (In.)	Wheel Material	Wheel Bearing	Load Rating (Lbs.)	Swivel Caster Desc.	Order No.	Rigid Caster Desc.	Order No.
4	2	K-Wheel	Delrin	700	S1440-4	29441	S3440-4	29521
		Polypropylene	Delrin	450	S1460-4	29443	S3460-4	29523
		RT - Standard	Delrin	600	S1464W-4	29445	S3464W-4	29518
		RT - High Temp.	Plain	600	S1464W-HT-4	29446	S3464W-HT-4	29519
		Phenolic	Delrin	600	S1430-4	29440	S3430-4	29520
5	2	K-Wheel	Delrin	900	S1440-5	29461	S3440-5	29541
		Polypropylene	Delrin	500	S1460-5	29463	S3460-5	29543
		RT - Standard	Delrin	650	S1464W-5	26931	S3464W-5	29538
		RT - High Temp.	Plain	650	S1464W-HT-5	29459	S3464W-HT-5	29539
		Dyna-Tred TPR	Delrin	450	S1490-5	29466	S3490-5	29546
		Dyna-Tred PU	Delrin	750	S1496-5	29468	S3496-5	29548
6	2	Phenolic	Delrin	650	S1430-5	29460	S3430-5	29540
		K-Wheel	Delrin	900	S1440-6	29481	S3440-6	29561
		Polypropylene	Delrin	700	S1460-6	29483	S3460-6	29563
		RT - Standard	Delrin	650	S1464W-6	26932	S3464W-6	29558
		RT - High Temp.	Plain	650	S1464W-HT-6	29477	S3464W-HT-6	29559
		Dyna-Tred TPR	Delrin	550	S1490-6	29486	S3490-6	29566
		Dyna-Tred PU	Delrin	900	S1496-6	29488	S3496-6	29568
8	2	Phenolic	Delrin	650	S1430-6	29480	S3430-6	29560
		K-Wheel	Delrin	1050	S1440-8	29501	S3440-8	29581
		Polypropylene	Delrin	800	S1460-8	29503	S3460-8	29583
		RT - Standard	Delrin	675	S1464W-8	29510	S3464W-8	29578
		RT - High Temp.	Plain	675	S1464W-HT-8	29499	S3464W-HT-8	29579
		Dyna-Tred TPR	Delrin	700	S1490-8	29506	S3490-8	29586
		Dyna-Tred PU	Delrin	1000	S1496-8	29508	S3496-8	29588
		Phenolic	Delrin	675	S1430-8	29500	S3430-8	29580



**Options**



**Grease Seal**



**Stainless Steel Rollock Brake**

Wheel Diameter (A)	4"	5"	6"	8"
Overall Height (B)	5 <sup>5</sup> / <sub>8</sub> "	6 <sup>1</sup> / <sub>2</sub> "	7 <sup>1</sup> / <sub>4</sub> "	9 <sup>1</sup> / <sub>2</sub> "
Swivel Radius (C)	3 <sup>3</sup> / <sub>4</sub> "	4 <sup>1</sup> / <sub>4</sub> "	5"	6 <sup>1</sup> / <sub>8</sub> "

**OPTIONS:**

1. Rollock Brake (Add RB Suffix - Ex: S1430-8RB) Available in 4", 5", 6", 8".  
See accessory page 6.
2. Grease Seals (Add GS Suffix - Ex: S1430-8GS)  
See accessory page 6.
3. Lube fittings optional.
4. Stainless Steel ball bearings available with some wheels.

Mounting Bolt Diameter — 3/8", Axle Size — 1/2"

## Series H1400-H3400

Load Capacity 420-1,800 Lbs. Each Caster

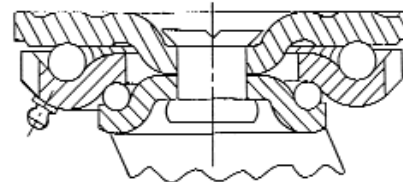
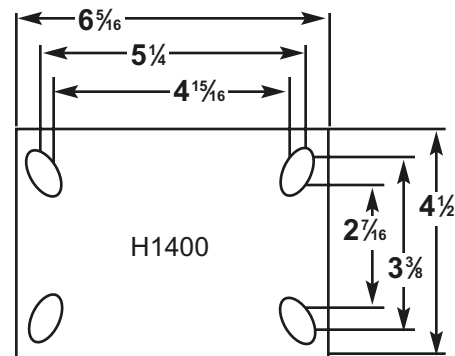
This series recommended for heavy-duty trucks, dollies, platform trucks, and a variety of equipment used in industry. Both upper and lower raceways are hardened to resist wear for added life.



CASTERS

- **Top Plate** — Extra-thick  $\frac{5}{16}$ " carbon steel, heat-treated for added strength and durability in severe service
- **Yoke** — Cold formed  $\frac{1}{4}$ " steel, notched for optional 4-position lock
- **Kingpin** — An extra-heavy  $\frac{7}{8}$ " diameter king pin assembly aligns raceway
- **Upper Raceway** —  $\frac{7}{16}$ " diameter hardened ball bearings
- **Lower Raceway** —  $\frac{5}{16}$ " diameter hardened ball bearings
- **Formed Side Members** — Cold formed from  $\frac{1}{4}$ " steel for added strength, then welded to the yoke base
- **Wheel Bearings** — Large diameter industrial-grade roller bearings are standard for all wheel sizes
- **Heavy-Duty Axle** — Solid  $\frac{1}{2}$ " diameter axle with lock nut for quick easy wheel replacement

- **Lubrication** — Fittings are installed for both swivel raceway and wheel bearings as required
- **Finish** — Corrosion-resistant zinc



### Wheel Options



Dyna-Tred TPR



Dyna-Tred PU



RT



Super-K



Phenolic



Semi-Steel



HD Mold-on Polyurethane



Mold-on Polyurethane



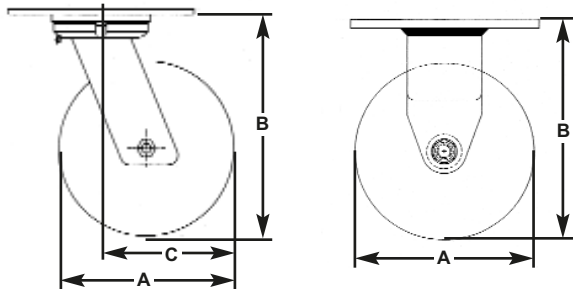
Mold-on Rubber



## Series H1400-H3400

Load Capacity 420-1,800 Lbs. Each Caster

Wheel Dia. (In.)	Tread Width (In.)	Wheel Material	Wheel Bearing	Load Rating (Lbs.)	Swivel Caster Desc.	Order No.	Rigid Caster Desc.	Order No.		
6	2	Semi-Steel	Roller	1200	H1406-6x2	26600	H3406-6x2	26625		
		Polyurethane	Roller	1250	H1438-6x2	26609	H3438-6x2	26634		
		Phenolic	Roller	1200	H1431-6x2	26606	H3431-6x2	26631		
		Mold-on Rubber	Roller	420	H1418-6x2	26603	H3418-6x2	26628		
		Super K	Precision	1500	H1441B-6x2	26240	H3441B-6x2	26748		
		RT	Roller	1200	H1465W-6x2	26254	H3465W-6x2	27493		
		Dyna-Tred TPR	Roller	550	H1491-6x2	26236	H3491-6x2	26656		
		Dyna-Tred PU	Roller	900	H1498-6x2	26238	H3498-6x2	26661		
	2½	Semi-Steel	Roller	1600	H1406-6x2½	26612	H3406-6x2½	26637		
		Mold-on Polyurethane	Roller	1600	H1438-6Hx2½	26622	H3438-6Hx2½	26646		
		Phenolic	Roller	1600	H1431-6x2½	26618	H3431-6x2½	26643		
		Mold-on Rubber	Roller	600	H1418-6x2½	26615	H3418-6x2½	26640		
		8	2	Semi-Steel	Roller	1500	H1406-8x2	26601	H3406-8x2	26626
				Mold-on Polyurethane	Roller	1500	H1438-8x2	26610	H3438-8x2	26635
Phenolic	Roller			1400	H1431-8x2	26607	H3431-8x2	26632		
Mold-on Rubber	Roller			500	H1418-8x2	26604	H3418-8x2	26629		
Super K	Precision			1800	H1441B-8x2	26242	H3441B-8x2	26750		
Dyna-Tred PU	Roller			1000	H1498-8x2	26239	H3498-8x2	26663		
Dyna-Tred TPR	Roller			700	H1491-8x2	26237	H3491-8x2	26660		
RT	Roller			1400	H1465W-8x2	26322	H3465W-8x2	27494		
2½	Semi-Steel		Roller	1600	H1406-8x2½	26613	H3406-8x2½	26638		
	Mold-on Polyurethane		Roller	1600	H1438-8Hx2½	26621	H3438-8Hx2½	26647		
	Phenolic	Roller	1600	H1431-8x2½	26619	H3431-8x2½	26644			
	Mold-on Rubber	Roller	800	H1418-8x2½	26616	H3418-8x2½	26641			
10	2½	Semi-Steel	Roller	1800	H1406-10x2½	26614	H3406-10x2½	26639		
		Mold-on Polyurethane	Roller	1800	H1438-10Hx2½	26623	H3438-10Hx2½	26648		
		Mold-on Rubber	Roller	800	H1418-10x2½	26617	H3418-10x2½	26642		



Wheel Diameter (A)	6"	8"	10"
Overall Height (B)	7½"	10⅞"	11½"
Swivel Radius (C)	5⅜"	6⅜"	7⅜"

NOTE: Four Position Swivel Lock, Field Mountable, see page 7.  
(Add PL4 Suffix - Ex: H1406-8x2PL4)

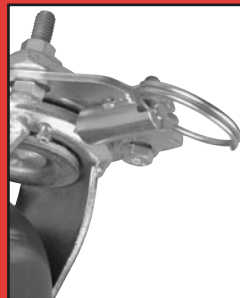
Mounting Bolt Diameter — ½"

Axle Size — ½"

### Options



Cam-Style Wheel Brake

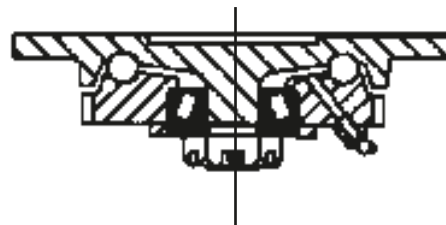
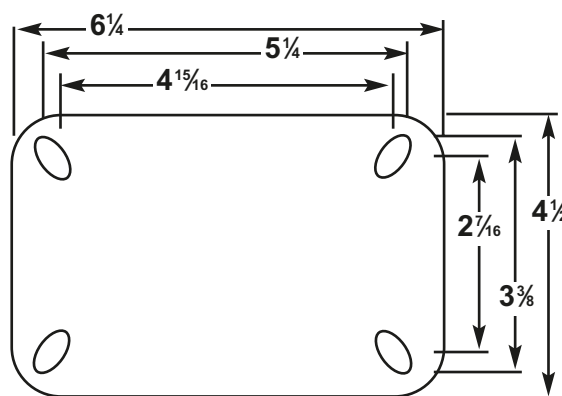


Four Position Swivel Lock

## Series HX1200-HX3200

Load Capacity 350-2,000 Lbs. Each Caster

Integral Kingpin—Strongest caster in its class for applications requiring 2" wide wheels. Rugged construction for service under constant use in warehousing and industry. Ideal for towing applications.



CASTERS

- **Top and Yoke Plates** — SAE 1045 hot drop forged steel with precision machined raceways
- **Upper Raceway** —  $\frac{7}{16}$ " diameter hardened ball bearings in a  $3\frac{1}{4}$ " diameter precision machined raceway
- **Lower Raceway** —  $\frac{3}{4}$ " bore tapered roller bearing
- **Kingbolt** —  $\frac{3}{4}$ " diameter - integrally forged with top plate
- **Position Lock** — Yoke Plate notched for optional 4-position lock
- **Horn Side Members** —  $\frac{1}{4}$ " thick formed steel, double welded to the yoke plate
- **Wheel Bearings** — Roller or ball bearings standard
- **Lubrication** — Fittings are installed for both swivel raceway and wheel bearings as required
- **Finish** — Corrosion-resistant zinc

### Wheel Options



Dyna-Tred TPR



Dyna-Tred PU



RT



Super-K



Phenolic



Semi-Steel



HD Mold-on Polyurethane



Mold-on Polyurethane



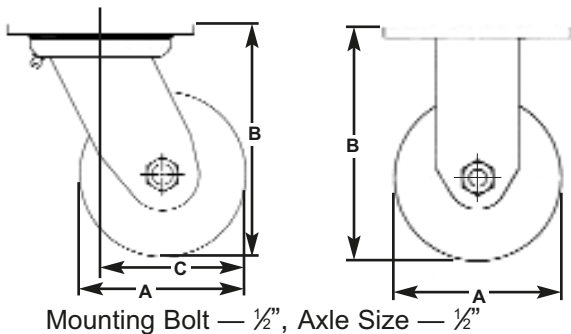
Mold-on Rubber



## Series HX1200-HX3200

Load Capacity 350-2,000 Lbs. Each Caster

Wheel Dia. (In.)	Tread Width (In.)	Wheel Material	Wheel Bearing	Load Rating (Lbs.)	Swivel Caster Desc.	Order No.	Rigid Caster Desc.	Order No.
4	2	Semi-Steel	Roller	700	HX1206-4x2	21404	HX3206-4x2	21434
		Phenolic	Roller	800	HX1231-4x2	21405	HX3231-4x2	21435
		Mold-on Polyurethane	Roller	700	HX1238-4x2	21406	HX3238-4x2	21436
		Mold-on Rubber	Roller	380	HX1218-4x2	21407	HX3218-4x2	21437
		K-Wheel	Roller	700	HX1241-4x2	21408	HX3241-4x2	21438
		RT-Standard	Roller	800	HX1265W-4x2	21410	HX3265W-4x2	21440
		RT-High Temp	Roller	800	HX1265W-HT-4x2	21470	HX3265W-HT-4x2	21510
		Dyna-Tred TPR	Roller	350	HX1291-4x2	21471	HX3291-4x2	21511
		Dyna-Tred PU	Roller	600	HX1298-4x2	21478	HX3298-4x2	21518
5	2	Semi-Steel	Roller	1000	HX1206-5x2	21411	HX3206-5x2	21441
		Phenolic	Roller	1000	HX1231-5x2	21412	HX3231-5x2	21442
		Mold-on Polyurethane	Roller	1000	HX1238-5x2	21413	HX3238-5x2	21443
		Mold-on Rubber	Roller	380	HX1218-5x2	21414	HX3218-5x2	21444
		Super-K	Precision	1100	HX1241B-5x2	21415	HX3241B-5x2	21445
		RT-Standard	Roller	1000	HX1265W-5x2	21417	HX3265W-5x2	21447
		RT-High Temp	Roller	1000	HX1265W-HT-5x2	21479	HX3265W-HT-5x2	21519
		Dyna-Tred TPR	Roller	450	HX1291-5x2	21486	HX3291-5x2	21526
		Dyna-Tred PU	Roller	750	HX1298-5x2	21487	HX3298-5x2	21527
6	2	Semi-Steel	Roller	1200	HX1206-6x2	21418	HX3206-6x2	21448
		Phenolic	Roller	1200	HX1231-6x2	21419	HX3231-6x2	21449
		Mold-on Polyurethane	Roller	1250	HX1238-6x2	21420	HX3238-6x2	21450
		HD Mold-on Polyurethane	Roller	1750	HX1238HD-6x2	21421	HX3238HD-6x2	21451
		Mold-on Rubber	Roller	420	HX1218-6x2	21422	HX3218-6x2	21452
		Super-K	Precision	1500	HX1241B-6x2	21423	HX3241B-6x2	21453
		RT-Standard	Roller	1200	HX1265W-6x2	21424	HX3265W-6x2	21454
		RT-High Temp	Roller	1200	HX1265W-HT-6x2	21425	HX3265W-HT-6x2	21455
		Dyna-Tred TPR	Roller	550	HX1291-6x2	21494	HX3291-6x2	21534
Dyna-Tred PU	Roller	900	HX1298-6x2	21495	HX3298-6x2	21535		
8	2	Semi-Steel	Roller	1500	HX1206-8x2	21426	HX3206-8x2	21456
		Phenolic	Roller	1400	HX1231-8x2	21427	HX3231-8x2	21457
		Mold-on Polyurethane	Roller	1500	HX1238-8x2	21428	HX3238-8x2	21458
		HD Mold-on Polyurethane	Roller	2000	HX1238HD-8x2	21429	HX3238HD-8x2	21459
		Mold-on Rubber	Roller	500	HX1218-8x2	21430	HX3218-8x2	21460
		Super-K	Precision	1800	HX1241B-8x2	21431	HX3241B-8x2	21461
		RT-Standard	Roller	1400	HX1265W-8x2	21432	HX3265W-8x2	21462
		RT-High Temp	Roller	1400	HX1265W-HT-8x2	21433	HX3265W-HT-8x2	21463
		Dyna-Tred TPR	Roller	700	HX1291-8x2	21502	HX3291-8x2	21542
Dyna-Tred PU	Roller	1000	HX1298-8x2	21503	HX3298-8x2	21543		



Wheel Diameter (A)	4"	5"	6"	8"
Overall Height (B)	5 5/8"	6 1/2"	7 1/2"	10 1/8"
Swivel Radius (C)	3 11/16"	4 5/8"	5 1/4"	6 1/8"

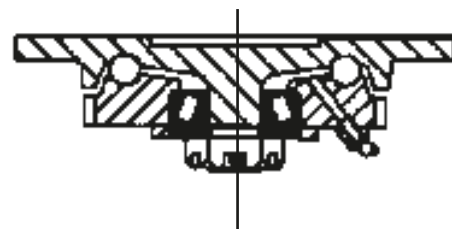
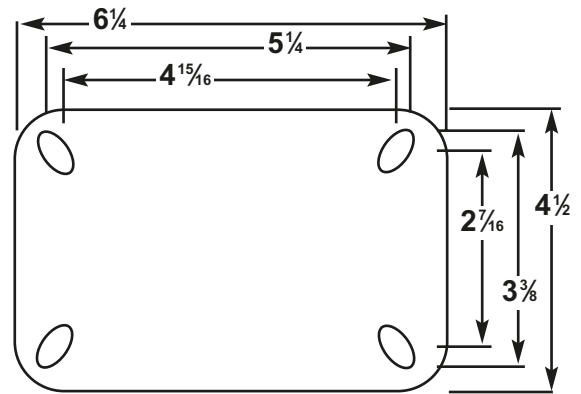
NOTE: Four milled notches are standard for four position swivel lock (field mountable)  
 Consult factory for availability  
 Four Position Swivel Lock is field mountable (Add PL4 Suffix - Ex: HX1206-8x2PL4)  
 Field Installed Wheel Face Contact Brake (add WFCB Suffix - Ex: HX1206-8x2WFCB)

Options: Four Position Swivel Lock, Wheel Face Contact Brake

**Series HX1300-HX3300**

Load Capacity 600-2,500 Lbs. Each Caster

This caster features 7/16" diameter hardened steel balls in a 3-1/4" diameter raceway and a 3/4" integrally forged kingpin operating in a tapered roller bearing. This caster is designed for severe operating conditions and heavy loads.



**CASTERS**

- **Top and Yoke Plate** — SAE 1045 hot drop forged steel with raceway
- **Upper Raceway** — 7/16" diameter hardened ball bearings
- **Lower Raceway** — 3/4" bore tapered roller bearings
- **Kingbolt** — 3/4", integrally forged with the top plate for precision fit
- **Position Lock** — Yoke Plate notched for optional 4-position lock
- **Horn Side Members** — 5/16" thick steel, double welded to the yoke plate
- **Wheel Bearings** — Roller or ball bearing standard
- **Lubrication** — Fittings are installed for both swivel raceway and wheel bearings as required
- **Finish** — Corrosion-resistant zinc

**Wheel Options**



Super-K



Phenolic



Semi-Steel



Mold-on Rubber



Mold-on Polyurethane



HD Mold-on Polyurethane

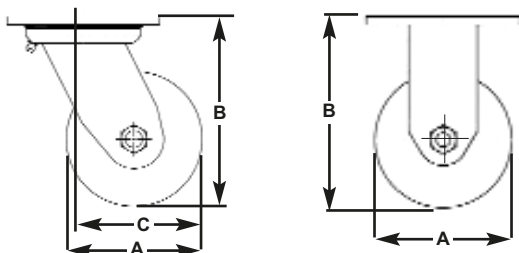




## Series HX1300-HX3300

Load Capacity 600-2,500 Lbs. Each Caster

Wheel Dia. (In.)	Tread Width (In.)	Wheel Material	Wheel Bearing	Load Rating (Lbs.)	Swivel Caster Desc.	Order	Rigid Caster Desc.	Order No.
6	2½	Semi-Steel	Roller	2500	HX1306-6x2½	21464	HX3306-6x2½	21528
		Phenolic	Roller	1600	HX1331-6x2½	21465	HX3331-6x2½	21529
		Mold-on Polyurethane	Roller	1650	HX1338-6x2½	21466	HX3338-6x2½	21530
		HD Mold-on Polyurethane	Roller	2150	HX1338HD-6x2½	21467	HX3338HD-6x2½	21531
		Mold-on Rubber	Roller	600	HX1318-6x2½	21468	HX3318-6x2½	21532
		Super-K	Precision	1620	HX1341B-6x2½	21469	HX3341B-6x2½	21533
	3	Semi-Steel	Roller	2500	HX1306-6x3	21472	HX3306-6x3	21536
		Phenolic	Roller	2000	HX1331-6x3	21473	HX3331-6x3	21537
		Mold-on Polyurethane	Roller	2100	HX1338-6x3	21474	HX3338-6x3	21538
		HD Mold-on Polyurethane	Roller	2450	HX1338HD-6x3	21475	HX3338HD-6x3	21539
		Mold-on Rubber	Roller	700	HX1318-6x3	21476	HX3318-6x3	21540
		Super-K	Precision	2000	HX1341B-6x3	21477	HX3341B-6x3	21541
8	2½	Semi-Steel	Roller	2500	HX1306-8x2½	21480	HX3306-8x2½	21544
		Phenolic	Roller	2000	HX1331-8x2½	21481	HX3331-8x2½	21545
		Mold-on Polyurethane	Roller	2100	HX1338-8x2½	21482	HX3338-8x2½	21546
		HD Mold-on Polyurethane	Roller	2500	HX1338HD-8x2½	21483	HX3338HD-8x2½	21547
		Mold-on Rubber	Roller	800	HX1318-8x2½	21484	HX3318-8x2½	21548
		Super-K	Precision	2000	HX1341B-8x2½	21485	HX3341B-8x2½	21549
	3	Semi-Steel	Roller	2500	HX1306-8x3	21488	HX3306-8x3	21552
		Phenolic	Roller	2500	HX1331-8x3	21489	HX3331-8x3	21553
		Mold-on Polyurethane	Roller	2500	HX1338-8x3	21490	HX3338-8x3	21554
		HD Mold-on Polyurethane	Roller	2500	HX1338HD-8x3	21491	HX3338HD-8x3	21555
		Mold-on Rubber	Roller	850	HX1318-8x3	21492	HX3318-8x3	21556
		Super-K	Precision	2500	HX1341B-8x3	21493	HX3341B-8x3	21557
10	2½	Semi-Steel	Roller	2500	HX1306-10x2½	21496	HX3306-10x2½	21560
		Mold-on Polyurethane	Roller	2500	HX1338-10x2½	21498	HX3338-10x2½	21562
		HD Mold-on Polyurethane	Roller	2500	HX1338HD-10x2½	21499	HX3338HD-10x2½	21563
		Mold-on Rubber	Roller	900	HX1318-10x2½	21500	HX3318-10x2½	21564
		Super-K	Precision	2500	HX1341B-10x2½	21501	HX3341B-10x2½	21565
		Semi-Steel	Roller	2500	HX1306-10x3	21504	HX3306-10x3	21568
	3	Phenolic	Roller	2500	HX1331-10x3	21505	HX3331-10x3	21569
		Mold-on Polyurethane	Roller	2500	HX1338-10x3	21506	HX3338-10x3	21570
		HD Mold-on Polyurethane	Roller	2500	HX1338HD-10x3	21507	HX3338HD-10x3	21571
		Mold-on Rubber	Roller	1000	HX1318-10x3	21508	HX3318-10x3	21572
		Super-K	Precision	2500	HX1341B-10x3	21509	HX3341B-10x3	21573
		Semi-Steel	Roller	2500	HX1306-12x2½	21512	HX3306-12x2½	21576
12	2½	Phenolic	Roller	2500	HX1331-12x2½	21513	HX3331-12x2½	21577
		Mold-on Polyurethane	Roller	2500	HX1338-12x2½	21514	HX3338-12x2½	21578
		HD Mold-on Polyurethane	Roller	2500	HX1338HD-12x2½	21515	HX3338HD-12x2½	21579
		Mold-on Rubber	Roller	900	HX1318-12x2½	21516	HX3318-12x2½	21580
		Semi-Steel	Roller	2500	HX1306-12x3	21520	HX3306-12x3	21584
		Phenolic	Roller	2500	HX1331-12x3	21521	HX3331-12x3	21585
	3	Mold-on Polyurethane	Roller	2500	HX1338-12x3	21522	HX3338-12x3	21586
		HD Mold-on Polyurethane	Roller	2500	HX1338HD-12x3	21523	HX3338HD-12x3	21587
		Mold-on Rubber	Roller	1150	HX1318-12x3	21524	HX3318-12x3	21588
		Super-K	Precision	2500	HX1341B-12x3	21525	HX3341B-12x3	21589



Mounting Bolt Diameter — ½", Axle Size — ¾"

Wheel Diameter (A)	6"	8"	10"	12"
Overall Height (B)	7½"	10⅝"	11½"	13½"
Swivel Radius (C)	5⅜"	6⅞"	7⅞"	9⅞"

NOTE: Four milled notches are standard for four position swivel lock (field mountable)  
 Four Position Swivel Lock is field mountable. See page 7.  
 Wheel Face Contact Brakes see page 9. Factory or field installed.  
 Four Position Swivel Lock (Add PL4 Suffix - Ex: HX1306-8x3PL4)

# X-HEAVY FORGED TRAILER DUTY



## Series HX1400-HX3400

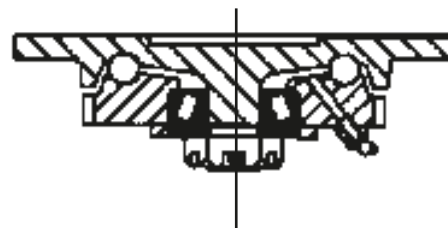
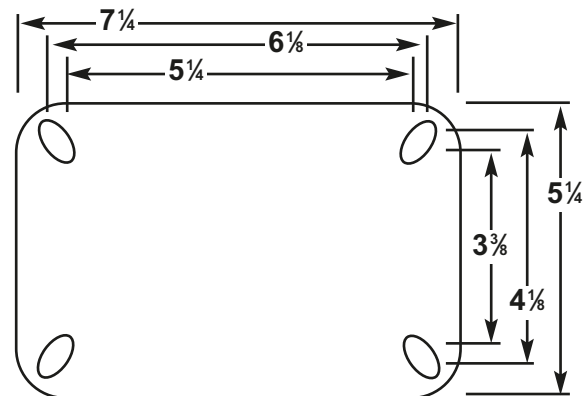
Load Capacity 600-3,500 Lbs. Each Caster

This caster is the strongest in its class with an integrally forged kingpin with SAE 1045 forged top plate. Combine a 4" diameter upper main load raceway with a 1" bore tapered roller bearing as the secondary load bearing and the result is a serious workhorse.



# CASTERS

- **Top and Yoke Plates** —  $\frac{3}{8}$ " thick hot drop forged from SAE 1045 steel for Extra-Heavy-Duty construction
- **Position Lock** — Yoke plate notched for optional 4-position lock
- **Upper Raceway** —  $\frac{1}{2}$ " diameter ball bearings in a 4" precision machined raceway
- **Lower Raceway** — 1" bore tapered roller bearing
- **Kingbolt** — 1" kingbolt is integrally forged with the top plate for a precision fit
- **Horn Side Members** —  $\frac{3}{8}$ " thick steel, double welded to the yoke plate
- **Wheel Bearing** — 1" heavy-duty roller bearing held in place by hardened thrust washers
- **Lubrication** — Fittings are installed for both swivel raceway and wheel bearings as required
- **Finish** — Corrosion-resistant zinc



## Wheel Options



Super-K



Phenolic



Semi-Steel



Mold-on Rubber



Mold-on Polyurethane



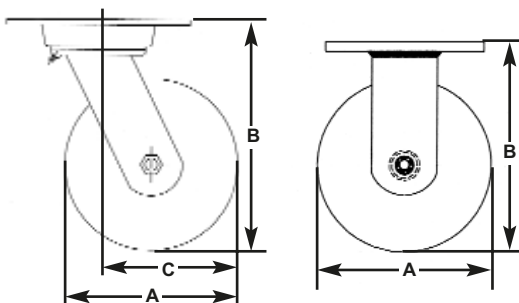
HD Mold-on Polyurethane



## Series HX1400-HX3400

Load Capacity 600-3,500 Lbs. Each Caster

Wheel Dia. (In.)	Tread Width (In.)	Wheel Material	Wheel Bearing	Load Rating (Lbs.)	Swivel Caster Desc.	Order No.	Rigid Caster Desc.	Order No.
6	2½	Semi-Steel	Roller	2500	HX1406-6x2½	21720	HX3406-6x2½	21783
		Phenolic	Roller	1600	HX1431-6x2½	21721	HX3431-6x2½	21784
		Mold-on Polyurethane	Roller	1650	HX1438-6x2½	21722	HX3438-6x2½	21785
		HD Mold-on Polyurethane	Roller	2150	HX1438HD-6x2½	21723	HX3438HD-6x2½	21786
		Mold-on Rubber	Roller	600	HX1418-6x2½	21724	HX3418-6x2½	21787
		Super-K	Precision	1620	HX1441B-6x2½	21725	HX3441B-6x2½	21788
	3	Semi-Steel	Roller	2500	HX1406-6x3	21728	HX3406-6x3	21791
		Phenolic	Roller	2000	HX1431-6x3	21729	HX3431-6x3	21792
		Mold-on Polyurethane	Roller	2100	HX1438-6x3	21730	HX3438-6x3	21793
		HD Mold-on Polyurethane	Roller	2450	HX1438HD-6x3	21731	HX3438HD-6x3	21794
		Mold-on Rubber	Roller	700	HX1418-6x3	21732	HX3418-6x3	21795
		Super-K	Precision	2000	HX1441B-6x3	21733	HX3441B-6x3	21796
8	2½	Semi-Steel	Roller	2500	HX1406-8x2½	21736	HX3406-8x2½	21799
		Phenolic	Roller	2000	HX1431-8x2½	21737	HX3431-8x2½	21800
		Mold-on Polyurethane	Roller	2100	HX1438-8x2½	21738	HX3438-8x2½	21801
		HD Mold-on Polyurethane	Roller	2600	HX1438HD-8x2½	21739	HX3438HD-8x2½	21802
		Mold-on Rubber	Roller	800	HX1418-8x2½	21740	HX3418-8x2½	21803
		Super-K	Precision	2000	HX1441B-8x2½	21741	HX3441B-8x2½	21804
	3	Semi-Steel	Roller	2800	HX1406-8x3	21744	HX3406-8x3	21807
		Phenolic	Roller	2500	HX1431-8x3	21745	HX3431-8x3	21808
		Mold-on Polyurethane	Roller	2500	HX1438-8x3	21746	HX3438-8x3	21809
		HD Mold-on Polyurethane	Roller	3350	HX1438HD-8x3	21747	HX3438HD-8x3	21810
		Mold-on Rubber	Roller	850	HX1418-8x3	21748	HX3418-8x3	21811
		Super-K	Precision	2500	HX1441B-8x3	21749	HX3441B-8x3	21812
10	2½	Semi-Steel	Roller	2500	HX1406-10x2½	21752	HX3406-10x2½	21815
		Mold-on Polyurethane	Roller	2500	HX1438-10x2½	21754	HX3438-10x2½	21817
		HD Mold-on Polyurethane	Roller	3100	HX1438HD-10x2½	21755	HX3438HD-10x2½	21818
		Mold-on Rubber	Roller	900	HX1418-10x2½	21756	HX3418-10x2½	21819
		Super-K	Precision	2500	HX1441B-10x2½	21757	HX3441B-10x2½	21820
		Semi-Steel	Roller	3000	HX1406-10x3	21760	HX3406-10x3	21823
	3	Phenolic	Roller	2900	HX1431-10x3	21761	HX3431-10x3	21824
		Mold-on Polyurethane	Roller	3000	HX1438-10x3	21762	HX3438-10x3	21825
		HD Mold-on Polyurethane	Roller	3500	HX1438HD-10x3	21763	HX3438HD-10x3	21826
		Mold-on Rubber	Roller	1000	HX1418-10x3	21764	HX3418-10x3	21827
		Super-K	Precision	3000	HX1441B-10x3	21765	HX3441B-10x3	21828
		Semi-Steel	Roller	3000	HX1406-12x2½	21768	HX3406-12x2½	21831
12	2½	Phenolic	Roller	3000	HX1431-12x2½	21769	HX3431-12x2½	21832
		Mold-on Polyurethane	Roller	2700	HX1438-12x2½	21770	HX3438-12x2½	21833
		HD Mold-on Polyurethane	Roller	3500	HX1438HD-12x2½	21771	HX3438HD-12x2½	21834
		Mold-on Rubber	Roller	900	HX1418-12x2½	21772	HX3418-12x2½	21835
		Super-K	Precision	3400	HX1441B-12x2½	21773	HX3441B-12x2½	21836
		Semi-Steel	Roller	3500	HX1406-12x3	21775	HX3406-12x3	21838
	3	Phenolic	Roller	3500	HX1431-12x3	21776	HX3431-12x3	21839
		Mold-on Polyurethane	Roller	3500	HX1438-12x3	21777	HX3438-12x3	21840
		HD Mold-on Polyurethane	Roller	3500	HX1438HD-12x3	21778	HX3438HD-12x3	21841
		Mold-on Rubber	Roller	1150	HX1418-12x3	21779	HX3418-12x3	21842
		Super-K	Precision	3400	HX1441B-12x3	21780	HX3441B-12x3	21843



Wheel Diameter (A)	6"	8"	10"	12"
Overall Height (B)	8"	10½"	12½"	15½"
Swivel Radius (C)	5¼"	6⅝"	7⅜"	8⅞"

NOTE: Four milled notches are standard for four position swivel lock (field mountable)

Consult factory for availability

Wheel Face Contact Brake see page 9. Factory or Field Installed.

Mounting Bolt Diameter — ½", Axle Size — ¾"

# SUPER X-HEAVY FORGED TRAILER DUTY



## Series HX1500-HX3500

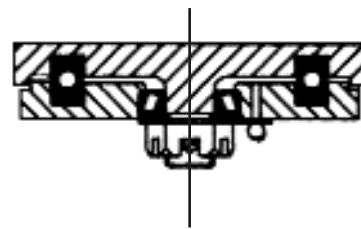
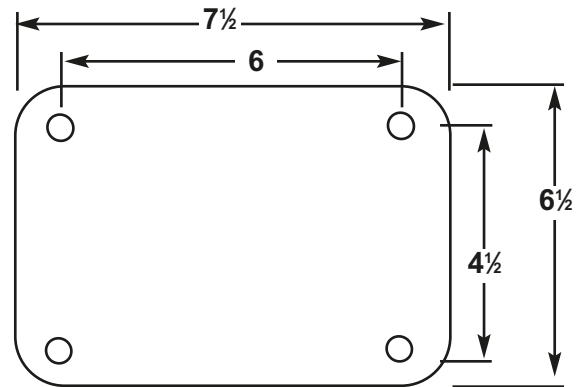
Load Capacity 2,000-10,000 Lbs. Each Caster

Designed for continuous use with Heavy-Duty power drawn trailers or severe duty applications. This series offers excellent trailing characteristics with long term durability under the most severe conditions.



# CASTERS

- **Top and Yoke Plates** —  $\frac{3}{4}$ " thick hot drop forged SAE 1045 steel
- **Upper Raceway** — 5" diameter precision radial, load bearing
- **Lower Raceway** — Provided with  $1\frac{1}{4}$ " tapered roller bearing
- **Kingbolt** —  $1\frac{1}{4}$ " kingbolt is integrally forged with the top plate for a precision fit between load and thrust bearings
- **Horn Side Members** —  $\frac{3}{8}$ " thick, formed steel, double welded to the yoke plate
- **Wheel Bearings** — 1" tapered roller bearings
- **Lubrication** — Fittings are installed for both swivel raceway and wheel bearings as required
- **Finish** — Corrosion-resistant zinc
- **Position Lock** — Yoke plate notched for optional 4-position lock



## Wheel Options



Drop Forged



Super-K



Mold-on  
Polyurethane



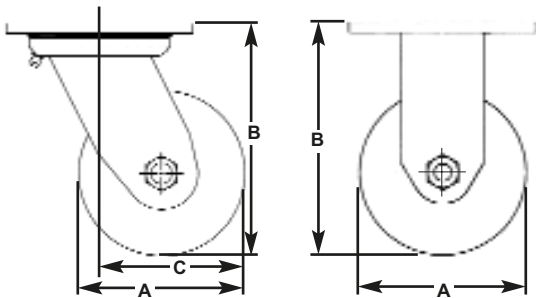
HD Mold-on  
Polyurethane



## Series HX1500-HX3500

Load Capacity 2,000-10,000 Lbs. Each Caster

Wheel Dia. (In.)	Tread Width (In.)	Wheel Material	Wheel Bearing	Load Rating (Lbs.)	Swivel Caster Desc.	Order No.	Rigid Caster Desc.	Order No.
6	3	Drop Forged	Tapered Roller	6500	HX1507T-6x3	22054	HX3507T-6x3	22077
		Mold-on Polyurethane	Tapered Roller	2100	HX1538T-6x3	22055	HX3538T-6x3	22078
		HD Mold-on Polyurethane	Tapered Roller	2450	HX1538HDT-6x3	22056	HX3538HDT-6x3	22079
		Super-K	Tapered Roller	2000	HX1541T-6x3	22057	HX3541T-6x3	22080
8	3	Drop Forged	Tapered Roller	8000	HX1507T-8x3	22060	HX3507T-8x3	22083
		Mold-on Polyurethane	Tapered Roller	2500	HX1538T-8x3	22061	HX3538T-8x3	22084
		HD Mold-on Polyurethane	Tapered Roller	3350	HX1538HDT-8x3	22062	HX3538HDT-8x3	22085
		Super-K	Tapered Roller	2500	HX1541T-8x3	22063	HX3541T-8x3	22086
10	3	Drop Forged	Tapered Roller	10000	HX1507T-10x3	22066	HX3507T-10x3	22089
		Mold-on Polyurethane	Tapered Roller	3000	HX1538T-10x3	22067	HX3538T-10x3	22090
		HD Mold-on Polyurethane	Tapered Roller	4150	HX1538HDT-10x3	22068	HX3538HDT-10x3	22091
		Super-K	Tapered Roller	3000	HX1541T-10x3	22069	HX3541T-10x3	22092
12	3	Mold-on Polyurethane	Tapered Roller	3500	HX1538T-12x3	22072	HX3538T-12x3	22095
		HD Mold-on Polyurethane	Tapered Roller	4950	HX1538HDT-12x3	22073	HX3538HDT-12x3	22096
		Super-K	Tapered Roller	3400	HX1541T-12x3	22074	HX3541T-12x3	22097



Mounting Bolt Diameter — 1/2"  
Axle Size — 1"

Wheel Diameter (A)	6"	8"	10"	12"
Overall Height (B)	8 1/2"	10 1/2"	12 1/2"	15 1/2"
Swivel Radius (C)	5 1/2"	6 9/16"	7 9/16"	8 3/8"

NOTE: Four Position Swivel Lock and Wheel Face Contact Brake are factory or field installed.

Four Position Swivel Lock (Add PL4 Suffix - Ex: HX1507T-10x3PL4)

Wheel Face Contact Brake (Add WFCB Suffix - Ex: HX1507T-10x3WFCB)

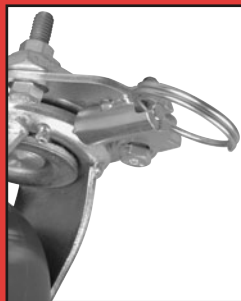
Factory or Field Installed.

Options: Four Position Swivel Lock, Wheel Face Contact Brake

### Options



Wheel Face Contact Brake



Four Position Swivel Lock

# SUPER X-HEAVY FORGED TRAILER DUTY



## Series HX1600-HX3600

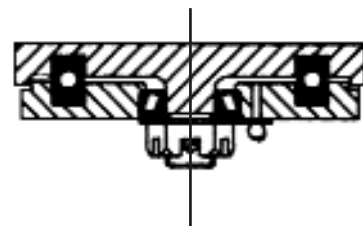
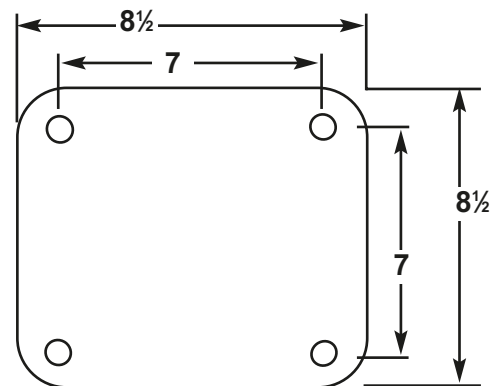
Load Capacity 2,000-15,000 Lbs. Each Caster

This super heavy-duty caster provides the strength and precision needed for applications such as power drawn trailer usage and other applications requiring high load capacities and outstanding performance. The hot forged SAE 1045 steel swivel sections are combined with precision machining throughout. Add a 7" main load bearing and 1-1/4" tapered secondary load bearing and you have an exceptionally strong caster.



CASTERS

- **Top and Yoke Plates** — 1" thick hot drop forged SAE 1045 steel
- **Upper Raceway** — 7" diameter precision radial load bearing
- **Lower Raceway** — Provided with 1 1/4" tapered bearing
- **Kingbolt** — 1 1/4" kingbolt is integrally forged with the top plate for a precision fit between load and thrust bearing raceways
- **Horn Side Members** — 1/2" thick, formed steel, double welded to the yoke plate
- **Wheel Bearings** — 1 1/4" tapered roller bearings
- **Lubrication** — Fittings are installed for both swivel raceway and wheel bearings as required
- **Finish** — Corrosion-resistant zinc
- **Position Lock** — Yoke plate notched for optional 4-position lock



### Wheel Options



Drop Forged



Super-K



Mold-on  
Polyurethane



HD Mold-on  
Polyurethane



## Series HX1600-HX3600

Load Capacity 2,000-15,000 Lbs. Each Caster

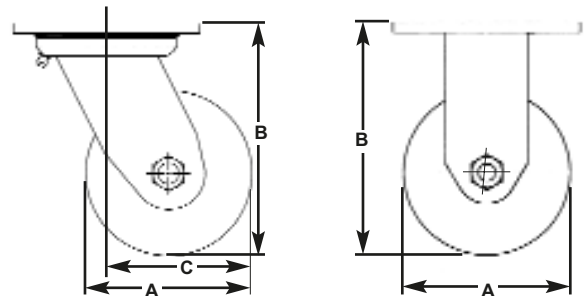
Wheel Dia. (In.)	Tread Width (In.)	Wheel Material	Wheel Bearing	Load Rating (Lbs.)	Swivel Caster Desc.	Order No.	Rigid Caster Desc.	Order No.
6	3	Drop Forged	Tapered Roller	12000	HX1607T-6x3	22172	HX3607T-6x3	22208
		Mold-on Polyurethane	Tapered Roller	2100	HX1638T-6x3	22173	HX3638T-6x3	22209
		HD Mold-on Polyurethane	Tapered Roller	2450	HX1638HDT-6x3	22174	HX3638HDT-6x3	22210
		Super-K	Tapered Roller	2000	HX1641T-6x3	22175	HX3641T-6x3	22211
8	3	Drop Forged	Tapered Roller	15000	HX1607T-8x3	22178	HX3607T-8x3	22214
		Mold-on Polyurethane	Tapered Roller	2500	HX1638T-8x3	22179	HX3638T-8x3	22215
		HD Mold-on Polyurethane	Tapered Roller	3350	HX1638HDT-8x3	22180	HX3638HDT-8x3	22216
		Super-K	Tapered Roller	2500	HX1641T-8x3	22181	HX3641T-8x3	22217
	4	Drop Forged	Tapered Roller	15000	HX1607T-8x4	22184	HX3607T-8x4	22220
		HD Mold-on Polyurethane	Tapered Roller	4400	HX1638HDT-8x4	22185	HX3638HDT-8x4	22221
		Super-K	Tapered Roller	3800	HX1641T-8x4	22186	HX3641T-8x4	22222
	10	3	Drop Forged	Tapered Roller	15000	HX1607T-10x3	22189	HX3607T-10x3
Mold-on Polyurethane			Tapered Roller	3000	HX1638T-10x3	22190	HX3638T-10x3	22226
HD Mold-on Polyurethane			Tapered Roller	4150	HX1638HDT-10x3	22191	HX3638HDT-10x3	22227
Super-K			Tapered Roller	3000	HX1641T-10x3	22192	HX3641T-10x3	22228
4		Drop Forged	Tapered Roller	15000	HX1607T-10x4	22195	HX3607T-10x4	22231
		HD Mold-on Polyurethane	Tapered Roller	5300	HX1638HDT-10x4	22196	HX3638HDT-10x4	22232
		Super-K	Tapered Roller	4200	HX1641T-10x4	22197	HX3641T-10x4	22233
		12	3	Mold-on Polyurethane	Tapered Roller	3500	HX1638T-12x3	22200
HD Mold-on Polyurethane	Tapered Roller			4950	HX1638HDT-12x3	22201	HX3638HDT-12x3	22237
Super-K	Tapered Roller			3400	HX1641T-12x3	22202	HX3641T-12x3	22238
4	HD Mold-on Polyurethane		Tapered Roller	6200	HX1638HDT-12x4	22205	HX3638HDT-12x4	22241

Wheel Diameter (A)	6"	8"	10"	12"
Overall Height (B)	9"	11"	13"	15½"
Swivel Radius (C)	5¼"	6⅞"	7¾"	9⅝"

NOTE: Four Position Swivel Lock and Wheel Face Contact Brake are factory or field installed.

Four Position Swivel Lock (Add PL4 Suffix - Ex: HX1607T-10 x 3PL4)

Wheel Face Contact Brake (Add WFCB Suffix - Ex: HX1607T-10x 3WFCB)



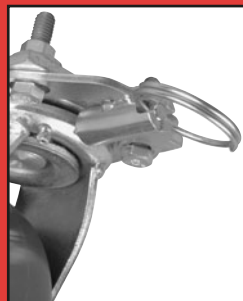
NOTE: Dual wheel versions available. Consult factory for details.

Mounting Bolt Dia. — ⅝"  
Axle Size — 1¼"

### Options



Wheel Face Contact Brake



Four Position Swivel Lock

# KINGPINLESS MEDIUM HEAVY DUTY



## Series KPL1400-KPL3400

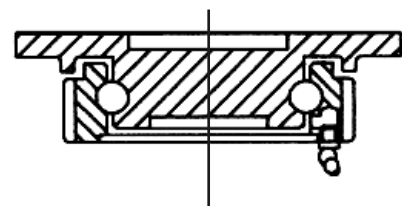
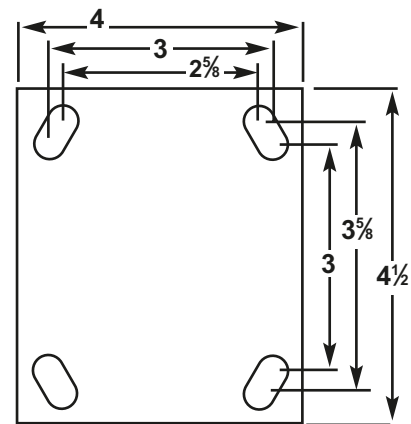
Load Capacity 350-1,500 Lbs. Each Caster

An economical Kingpinless addition which offers even more versatility to our heavy-duty offering with the same top plate dimensions and overall height as our KP1400 and 1400 Series. The horn assemblies are rated at 1,500 lbs., making this series perfect for numerous commercial applications.



CASTERS

- **Top and Yoke Plate** — ¼" thick SAE 1045 hot drop forged
- **Raceway** — Precision machined 2½" diameter for ⅝" balls. Induction hardened for longevity
- **Kingpin** — None (Kingpinless)
- **Horn Side Members** — ¼" Formed steel welded both sides
- **Lubrication** — Provided for both swivel and wheel bearings as required
- **Finish** — Corrosion-resistant zinc
- **Wheel Bearings** — Roller and precision bearings are available
- **Milled Slots** — Four slots for directional lock is optional



### Wheel Options



Dyna-Tred TPR



Dyna-Tred PU



RT



Super-K



Phenolic



Semi-Steel



HD Mold-on Polyurethane



Mold-on Polyurethane



Mold-on Rubber

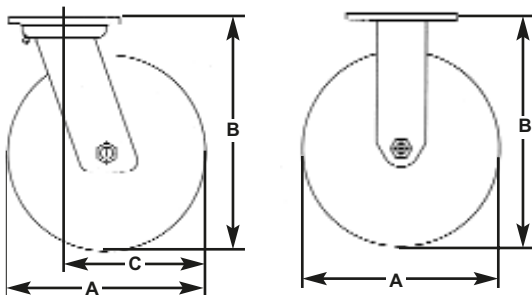




## Series KPL1400-KPL3400

Load Capacity 350-1,500 Lbs. Each Caster

Wheel Dia. (In.)	Tread Width (In.)	Wheel Material	Wheel Bearing	Load Rating (Lbs.)	Swivel Caster Desc.	Order No.	Rigid Caster Desc.	Order No.
4	2	Semi-Steel	Roller	700	KPL1406-4x2	22342	KPL3406-4x2	22293
		Mold-on Rubber	Roller	380	KPL1418-4x2	22343	KPL3418-4x2	22294
		Phenolic	Roller	800	KPL1431-4x2	22344	KPL3431-4x2	22295
		Mold-on Polyurethane	Roller	700	KPL1438-4x2	22345	KPL3438-4x2	22296
		HD Mold-on Polyurethane	Roller	950	KPL1438HD-4x2	22346	KPL3438HD-4x2	22297
		K-Wheel	Roller	700	KPL1441-4x2	22347	KPL3441-4x2	22298
		RT-Standard	Roller	800	KPL1465W-4x2	22348	KPL3465W-4x2	22299
		RT-High Temp	Roller	800	KPL1465W-HT-4x2	22349	KPL3465W-HT-4x2	22300
		Dyna-Tred TPR	Roller	350	KPL1491-4x2	22350	KPL3491-4x2	22301
		Dyna-Tred PU	Roller	600	KPL1498-4x2	22351	KPL3498-4x2	22302
5	2	Semi-Steel	Roller	1000	KPL1406-5x2	22354	KPL3406-5x2	22305
		Mold-on Rubber	Roller	380	KPL1418-5x2	22355	KPL3418-5x2	22306
		Phenolic	Roller	1000	KPL1431-5x2	22356	KPL3431-5x2	22307
		Mold-on Polyurethane	Roller	1000	KPL1438-5x2	22357	KPL3438-5x2	22308
		HD Mold-on Polyurethane	Roller	1250	KPL1438HD-5x2	22358	KPL3438HD-5x2	22309
		Super K	Precision	1100	KPL1441B-5x2	22359	KPL3441B-5x2	22310
		RT-Standard	Roller	1000	KPL1465W-5x2	22360	KPL3465W-5x2	22311
		RT-High Temp	Roller	1000	KPL1465W-HT-5x2	22361	KPL3465W-HT-5x2	22312
		Dyna-Tred TPR	Roller	450	KPL1491-5x2	22362	KPL3491-5x2	22313
		Dyna-Tred PU	Roller	750	KPL1498-5x2	22363	KPL3498-5x2	22314
6	2	Semi-Steel	Roller	1200	KPL1406-6x2	22366	KPL3406-6x2	22318
		Mold-on Rubber	Roller	420	KPL1418-6x2	22367	KPL3418-6x2	22319
		Phenolic	Roller	1200	KPL1431-6x2	22368	KPL3431-6x2	22320
		Mold-on Polyurethane	Roller	1250	KPL1438-6x2	22369	KPL3438-6x2	22321
		HD Mold-on Polyurethane	Roller	1500	KPL1438HD-6x2	22370	KPL3438HD-6x2	22322
		Super K	Precision	1500	KPL1441B-6x2	22371	KPL3441B-6x2	22323
		RT-Standard	Roller	1200	KPL1465W-6x2	22372	KPL3465W-6x2	22324
		RT-High Temp	Roller	1200	KPL1465W-HT-6x2	22373	KPL3465W-HT-6x2	22325
		Dyna-Tred TPR	Roller	550	KPL1491-6x2	22374	KPL3491-6x2	22326
		Dyna-Tred PU	Roller	900	KPL1498-6x2	22375	KPL3498-6x2	22327
8	2	Semi-Steel	Roller	1500	KPL1406-8x2	22378	KPL3406-8x2	22330
		Mold-on Rubber	Roller	500	KPL1418-8x2	22379	KPL3418-8x2	22331
		Phenolic	Roller	1400	KPL1431-8x2	22380	KPL3431-8x2	22332
		Mold-on Polyurethane	Roller	1500	KPL1438-8x2	22381	KPL3438-8x2	22333
		HD Mold-on Polyurethane	Roller	1500	KPL1438HD-8x2	22382	KPL3438HD-8x2	22334
		Super K	Precision	1500	KPL1441B-8x2	22383	KPL3441B-8x2	22335
		RT-Standard	Roller	1400	KPL1465W-8x2	22384	KPL3465W-8x2	22336
		RT-High Temp	Roller	1400	KPL1465W-HT-8x2	22385	KPL3465W-HT-8x2	22337
		Dyna-Tred TPR	Roller	700	KPL1491-8x2	22386	KPL3491-8x2	22338
		Dyna-Tred PU	Roller	1000	KPL1498-8x2	22387	KPL3498-8x2	22339



Wheel Diameter (A)	4"	5"	6"	8"
Overall Height (B)	5 <sup>5</sup> / <sub>16</sub> "	6 <sup>1</sup> / <sub>2</sub> "	7 <sup>1</sup> / <sub>2</sub> "	9 <sup>1</sup> / <sub>2</sub> "
Swivel Radius (C)	3 <sup>3</sup> / <sub>16</sub> "	3 <sup>7</sup> / <sub>8</sub> "	4 <sup>9</sup> / <sub>16</sub> "	6"

**OPTIONS:**

- Side Brake (Add SB Suffix - Ex: KPL 1491-6SB)  
See accessory page 7 (Use 1400 Series Brake Kit)
- Thread Guard, contact factory (Add TG suffix - Ex: KPL 1491-6TG)
- Wheel Face Brake (Add WFB Suffix - Ex: KPL 1491-6WFB)  
Factory or field installed.
- Precision Bearing RT & Dyna-Tred available. Consult Factory for availability.

Mounting Bolt Diameter — 3/8"

Axle Size — 1/2"

# KINGPINLESS MEDIUM HEAVY DUTY



## Series KP1400-KP3400

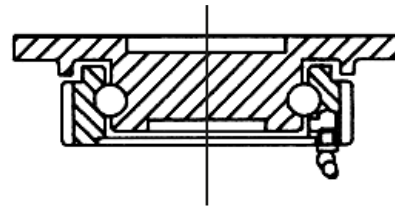
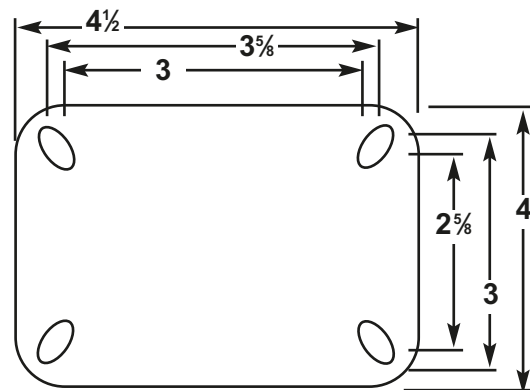
Load Capacity 350-2,000 Lbs. Each Caster

This Kingpinless caster offers more versatility to our product offering with the same top plate dimensions and overall height as our 1400 Series. This range replaces the HD1400 Series. The horn assemblies are rated at 2,000 lbs., making this series perfect for commercial use applications such as platform trucks, bakery equipment, and warehouse carts.



CASTERS

- **Top and Yoke Plate** —  $\frac{5}{16}$ " thick SAE 1045 hot drop forged
- **Raceway** — Precision machined  $2\frac{5}{16}$ " diameter for  $\frac{3}{8}$ " balls. Induction hardened for longevity
- **Kingpin** — None (Kingpinless)
- **Horn Side Members** —  $\frac{1}{4}$ " Formed steel welded both sides
- **Lubrication** — Provided for both swivel and wheel bearings as required
- **Finish** — Corrosion-resistant zinc
- **Milled Slots** — Four slots for directional lock is standard
- **Wheel Bearings** — Roller and precision bearings are available



### Wheel Options



Dyna-Tred TPR



Dyna-Tred PU



RT



Super-K



Phenolic



Semi-Steel



HD Mold-on Polyurethane



Mold-on Polyurethane



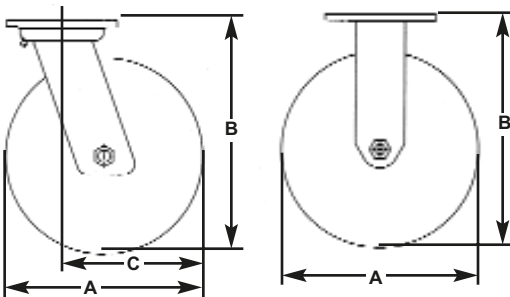
Mold-on Rubber



## Series KP1400-KP3400

Load Capacity 350-2,000 Lbs. Each Caster

Wheel Dia. (In.)	Tread Width (In.)	Wheel Material	Wheel Bearing	Load Rating (Lbs.)	Swivel Caster Desc.	Order No.	Rigid Caster Desc.	Order No.
4	2	Semi-Steel	Roller	700	KP1406-4x2	22244	KP3406-4x2	22293
		Mold-on Rubber	Roller	380	KP1418-4x2	22245	KP3418-4x2	22294
		Phenolic	Roller	800	KP1431-4x2	22246	KP3431-4x2	22295
		Mold-on Polyurethane	Roller	700	KP1438-4x2	22247	KP3438-4x2	22296
		HD Mold-on Polyurethane	Roller	950	KP1438HD-4x2	22248	KP3438HD-4x2	22297
		K-Wheel	Roller	700	KP1441-4x2	22249	KP3441-4x2	22298
		RT Wheel - Standard	Roller	800	KP1465W-4x2	22250	KP3465W-4x2	22299
		RT Wheel - High Temp.	Roller	800	KP1465W-HT-4x2	22251	KP3465W-HT-4x2	22300
		Dyna-Tred TPR	Roller	350	KP1491-4x2	22252	KP3491-4x2	22301
Dyna-Tred PU	Roller	600	KP1498-4x2	22253	KP3498-4x2	22302		
5	2	Semi-Steel	Roller	1000	KP1406-5x2	22256	KP3406-5x2	22305
		Mold-on Rubber	Roller	380	KP1418-5x2	22257	KP3418-5x2	22306
		Phenolic	Roller	1000	KP1431-5x2	22258	KP3431-5x2	22307
		Mold-on Polyurethane	Roller	1000	KP1438-5x2	22259	KP3438-5x2	22308
		HD Mold-on Polyurethane	Roller	1250	KP1438HD-5x2	22260	KP3438HD-5x2	22309
		Super K	Precision	1100	KP1441B-5x2	22261	KP3441B-5x2	22310
		RT Wheel - Standard	Roller	1000	KP1465W-5x2	22262	KP3465W-5x2	22311
		RT Wheel - High Temp.	Roller	1000	KP1465W-HT-5x2	22263	KP3465W-HT-5x2	22312
		Dyna-Tred TPR	Roller	450	KP1491-5x2	22264	KP3491-5x2	22313
Dyna-Tred PU	Roller	750	KP1498-5x2	22265	KP3498-5x2	22314		
6	2	Semi-Steel	Roller	1200	KP1406-6x2	22269	KP3406-6x2	22318
		Mold-on Rubber	Roller	420	KP1418-6x2	22270	KP3418-6x2	22319
		Phenolic	Roller	1200	KP1431-6x2	22271	KP3431-6x2	22320
		Mold-on Polyurethane	Roller	1250	KP1438-6x2	22272	KP3438-6x2	22321
		HD Mold-on Polyurethane	Roller	1750	KP1438HD-6x2	22273	KP3438HD-6x2	22322
		Super K	Precision	1500	KP1441B-6x2	22274	KP3441B-6x2	22323
		RT Wheel - Standard	Roller	1200	KP1465W-6x2	22275	KP3465W-6x2	22324
		RT Wheel - High Temp.	Roller	1200	KP1465W-HT-6x2	22276	KP3465W-HT-6x2	22325
		Dyna-Tred TPR	Roller	550	KP1491-6x2	22277	KP3491-6x2	22326
Dyna-Tred PU	Roller	900	KP1498-6x2	22278	KP3498-6x2	22327		
8	2	Semi-Steel	Roller	1500	KP1406-8x2	22281	KP3406-8x2	22330
		Mold-on Rubber	Roller	500	KP1418-8x2	22282	KP3418-8x2	22331
		Phenolic	Roller	1400	KP1431-8x2	22283	KP3431-8x2	22332
		Mold-on Polyurethane	Roller	1500	KP1438-8x2	22284	KP3438-8x2	22333
		HD Mold-on Polyurethane	Roller	2000	KP1438HD-8x2	22285	KP3438HD-8x2	22334
		Super K	Precision	1800	KP1441B-8x2	22286	KP3441B-8x2	22335
		RT Wheel - Standard	Roller	1400	KP1465W-8x2	22287	KP3465W-8x2	22336
		RT Wheel - High Temp.	Roller	1400	KP1465W-HT-8x2	22288	KP3465W-HT-8x2	22337
		Dyna-Tred TPR	Roller	700	KP1491-8x2	22289	KP3491-8x2	22338
Dyna-Tred PU	Roller	1000	KP1498-8x2	22290	KP3498-8x2	22339		



Wheel Diameter (A)	4"	5"	6"	8"
Overall Height (B)	5 <sup>5</sup> / <sub>8</sub> "	6 <sup>1</sup> / <sub>2</sub> "	7 <sup>1</sup> / <sub>2</sub> "	9 <sup>1</sup> / <sub>2</sub> "
Swivel Radius (C)	3 <sup>3</sup> / <sub>16</sub> "	3 <sup>3</sup> / <sub>8</sub> "	4 <sup>1</sup> / <sub>16</sub> "	6"

**OPTIONS:**

- Side Brake (Add SB Suffix - Ex: KP 1491-6SB)  
See accessory page 7 (Use 1400 Series Brake Kit)
- Thread Guard, contact factory (Add TG suffix - Ex: KP 1491-6TG)
- PL4 Field Mountable Four Position Swivel Lock available
- Wheel Face Brake (Add WFB Suffix - Ex: KP 1491-6WFB)
- Precision Bearing RT & Dyna-Tred available. Consult Factory for availability.

Mounting Bolt Diameter — 3/8"

Axle Size — 1/2"

# KINGPINLESS FORGED TRAILER DUTY



## Series KP1300-KP3300

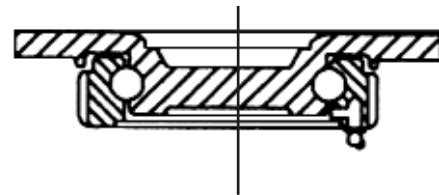
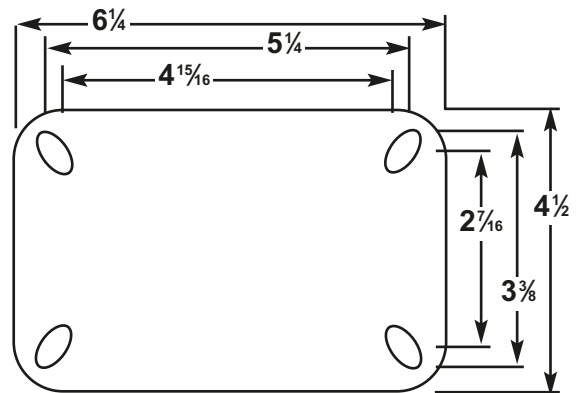
Load Capacity 600-3,500 Lbs. Each Caster

This caster range features a single ball raceway comprised of a forged top plate and swivel assembly. They are secured with 1/2" diameter balls in 3" diameter precision machined raceway that is induction hardened. This popular caster is designed to handle many combinations of wheel diameter and width combinations for many load situations.



CASTERS

- **Top and Yoke Plate** — SAE 1045 hot drop forged steel
- **Raceway** — Precision machined 3" diameter for 1/2" diameter balls. Induction hardened for longevity
- **Kingpin** — None (Kingpinless)
- **Horn Side Members** — 5/16" thick steel, formed and welded both sides
- **Wheel Bearings** — Roller and precision bearings are available
- **Lubrication** — Fittings are installed for both swivel raceway and wheel bearings as required
- **Finish** — Corrosion-resistant zinc
- **Milled Slots** — Four slots for directional lock is standard



### Wheel Options



Super-K



Phenolic



Semi-Steel



Mold-on Rubber



Mold-on Polyurethane



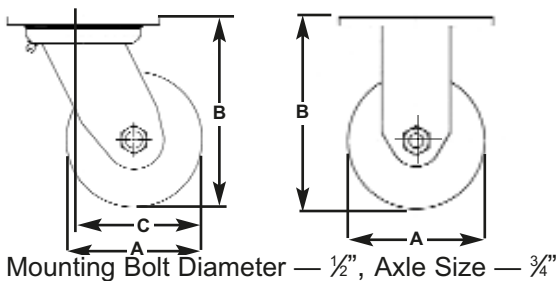
HD Mold-on Polyurethane



## Series KP1300-KP3300

Load Capacity 600-3,500 Lbs. Each Caster

Wheel Dia. (In.)	Tread Width (In.)	Wheel Material	Wheel Bearing	Load Rating (Lbs.)	Swivel Caster Desc.	Order No.	Rigid Caster Desc.	Order No.
6	2½	Semi-Steel	Roller	2500	KP1306-6x2½	21592	KP3306-6x2½	21656
		Phenolic	Roller	1600	KP1331-6x2½	21593	KP3331-6x2½	21657
		Mold-on Polyurethane	Roller	1650	KP1338-6x2½	21594	KP3338-6x2½	21658
		HD Mold-on Polyurethane	Roller	2150	KP1338HD-6x2½	21595	KP3338HD-6x2½	21659
		Mold-on Rubber	Roller	600	KP1318-6x2½	21596	KP3318-6x2½	21660
		Super-K	Precision	1620	KP1341B-6x2½	21597	KP3341B-6x2½	21661
	3	Semi-Steel	Roller	2500	KP1306-6x3	21600	KP3306-6x3	21664
		Phenolic	Roller	2000	KP1331-6x3	21601	KP3331-6x3	21665
		Mold-on Polyurethane	Roller	2100	KP1338-6x3	21602	KP3338-6x3	21666
		HD Mold-on Polyurethane	Roller	2450	KP1338HD-6x3	21603	KP3338HD-6x3	21667
		Mold-on Rubber	Roller	700	KP1318-6x3	21604	KP3318-6x3	21668
		Super-K	Precision	2000	KP1341B-6x3	21605	KP3341B-6x3	21669
8	2½	Semi-Steel	Roller	2500	KP1306-8x2½	21608	KP3306-8x2½	21672
		Phenolic	Roller	2000	KP1331-8x2½	21609	KP3331-8x2½	21673
		Mold-on Polyurethane	Roller	2100	KP1338-8x2½	21610	KP3338-8x2½	21674
		HD Mold-on Polyurethane	Roller	2600	KP1338HD-8x2½	21611	KP3338HD-8x2½	21675
		Mold-on Rubber	Roller	800	KP1318-8x2½	21612	KP3318-8x2½	21676
		Super-K	Precision	2000	KP1341B-8x2½	21613	KP3341B-8x2½	21677
	3	Semi-Steel	Roller	2800	KP1306-8x3	21616	KP3306-8x3	21680
		Phenolic	Roller	2500	KP1331-8x3	21617	KP3331-8x3	21681
		Mold-on Polyurethane	Roller	2500	KP1338-8x3	21618	KP3338-8x3	21682
		HD Mold-on Polyurethane	Roller	3350	KP1338HD-8x3	21619	KP3338HD-8x3	21683
		Mold-on Rubber	Roller	850	KP1318-8x3	21620	KP3318-8x3	21684
		Super-K	Precision	2500	KP1341B-8x3	21621	KP3341B-8x3	21685
10	2½	Semi-Steel	Roller	2500	KP1306-10x2½	21624	KP3306-10x2½	21688
		Mold-on Polyurethane	Roller	2500	KP1338-10x2½	21626	KP3338-10x2½	21690
		HD Mold-on Polyurethane	Roller	3100	KP1338HD-10x2½	21627	KP3338HD-10x2½	21691
		Mold-on Rubber	Roller	900	KP1318-10x2½	21628	KP3318-10x2½	21692
		Super-K	Precision	2500	KP1341B-10x2½	21629	KP3341B-10x2½	21693
		Semi-Steel	Roller	3000	KP1306-10x3	21632	KP3306-10x3	21696
	3	Phenolic	Roller	2900	KP1331-10x3	21633	KP3331-10x3	21697
		Mold-on Polyurethane	Roller	3000	KP1338-10x3	21634	KP3338-10x3	21698
		HD Mold-on Polyurethane	Roller	3500	KP1338HD-10x3	21635	KP3338HD-10x3	21699
		Mold-on Rubber	Roller	1000	KP1318-10x3	21636	KP3318-10x3	21700
		Super-K	Precision	3000	KP1341B-10x3	21637	KP3341B-10x3	21701
		12	2½	Semi-Steel	Roller	3000	KP1306-12x2½	21640
Phenolic	Roller			3000	KP1331-12x2½	21641	KP3331-12x2½	21705
Mold-on Polyurethane	Roller			2700	KP1338-12x2½	21642	KP3338-12x2½	21706
HD Mold-on Polyurethane	Roller			3500	KP1338HD-12x2½	21643	KP3338HD-12x2½	21707
Mold-on Rubber	Roller			900	KP1318-12x2½	21644	KP3318-12x2½	21708
Semi-Steel	Roller			3500	KP1306-12x3	21648	KP3306-12x3	21712
3	Phenolic		Roller	3500	KP1331-12x3	21649	KP3331-12x3	21713
	Mold-on Polyurethane		Roller	3500	KP1338-12x3	21650	KP3338-12x3	21714
	HD Mold-on Polyurethane		Roller	3500	KP1338HD-12x3	21651	KP3338HD-12x3	21715
	Mold-on Rubber		Roller	1150	KP1318-12x3	21652	KP3318-12x3	21716
	Super-K		Precision	3400	KP1341B-12x3	21653	KP3341B-12x3	21717



<b>Wheel Diameter (A)</b>	6"	8"	10"	12"
<b>Overall Height (B)</b>	7½"	10⅛"	11½"	13½"
<b>Swivel Radius (C)</b>	5½"	6½"	7¾"	9¼"

NOTE: Four milled notches are standard for Four Position Swivel Lock  
 Wheel Face Contact Brakes are factory or field installed. See page 9.  
 Four Position Swivel Lock - field mountable (Add PL4 Suffix - Ex: KP1338-8x3PL4)  
 Wheel Face Contact Brake (Add WFCB Suffix - Ex: KP1338-8x3WFCB)

# KINGPINLESS X-HEAVY FORGED TRAILER DUTY



## Series KPHX1400-KPHX3400

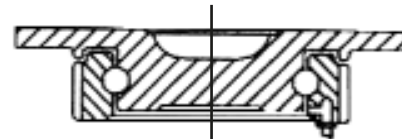
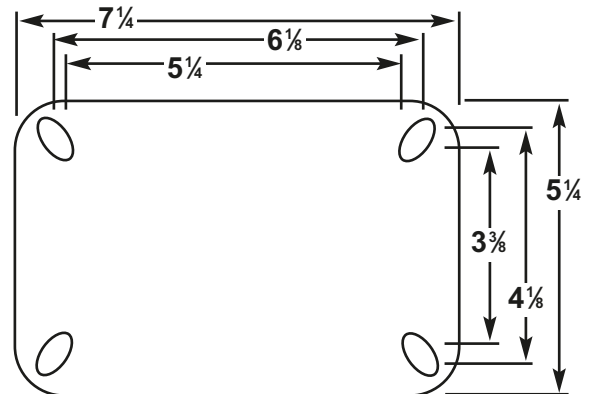
Load Capacity 1,600-6,000 Lbs. Each Caster

The top plate and swivel section utilize a single ball raceway which is locked in place with 1/2" diameter balls in a precision machined 3-1/2" raceway. The raceway is induction hardened to assure easy maneuverability and longevity under high load situations.



# CASTERS

- **Top and Yoke Plates** — 3/8" thick hot drop forged from SAE 1045 steel for Extra-Heavy-Duty construction
- **Raceway** — 1/2" diameter hardened ball bearings in a 3-1/2" diameter induction hardened raceway
- **Kingpin** — None (Kingpinless)
- **Horn Side Members** — 3/8" thick steel, double welded to the yoke plate
- **Wheel Bearing** — Heavy-duty roller bearing held in place by hardened thrust washers
- **Finish** — Corrosion-resistant zinc
- **Milled Slots** — Four slots for directional lock is standard
- **Lubrication** — Fittings are installed for both swivel raceway and wheel bearings as required



### Wheel Options



Super-K



Phenolic



Semi-Steel



Drop Forged



Mold-on Polyurethane



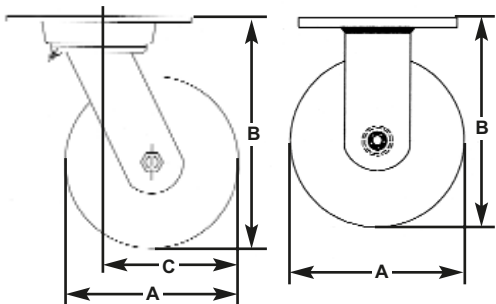
HD Mold-on Polyurethane



## Series KPHX1400-KPHX3400

Load Capacity 1,600-6,000 Lbs. Each Caster

Wheel Dia. (In.)	Tread Width (In.)	Wheel Material	Wheel Bearing	Load Rating (Lbs.)	Swivel Caster Desc.	Order No.	Rigid Caster Desc.	Order No.
6	2½	Semi-Steel	Roller	2500	KPHX1406-6x2½	21846	KPHX3406-6x2½	21904
		Phenolic	Roller	1600	KPHX1431-6x2½	21847	KPHX3431-6x2½	21905
		Mold-on Polyurethane	Roller	1650	KPHX1438-6x2½	21848	KPHX3438-6x2½	21906
		HD Mold-on Polyurethane	Roller	2150	KPHX1438HD-6x2½	21849	KPHX3438HD-6x2½	21907
		Super-K	Precision	1620	KPHX1441B-6x2½	21850	KPHX3441B-6x2½	21908
	3	Semi-Steel	Roller	2500	KPHX1406-6x3	21853	KPHX3406-6x3	21911
		Drop Forged	Roller	6000	KPHX1407-6x3	21854	KPHX3407-6x3	21912
		Phenolic	Roller	3000	KPHX1431-6x3	21855	KPHX3431-6x3	21913
		Mold-on Polyurethane	Roller	2100	KPHX1438-6x3	21856	KPHX3438-6x3	21914
		HD Mold-on Polyurethane	Roller	2450	KPHX1438HD-6x3	21857	KPHX3438HD-6x3	21915
8	2½	Super-K	Precision	2000	KPHX1441B-6x3	21858	KPHX3441B-6x3	21916
		Semi-Steel	Roller	2500	KPHX1406-8x2½	21861	KPHX3406-8x2½	21919
		Phenolic	Roller	2000	KPHX1431-8x2½	21862	KPHX3431-8x2½	21920
		Mold-on Polyurethane	Roller	2100	KPHX1438-8x2½	21863	KPHX3438-8x2½	21921
		HD Mold-on Polyurethane	Roller	2600	KPHX1438HD-8x2½	21864	KPHX3438HD-8x2½	21922
	3	Super-K	Precision	2000	KPHX1441B-8x2½	21865	KPHX3441B-8x2½	21923
		Semi-Steel	Roller	2800	KPHX1406-8x3	21868	KPHX3406-8x3	21924
		Drop Forged	Roller	6000	KPHX1407-8x3	21869	KPHX3407-8x3	21925
		Phenolic	Roller	2500	KPHX1431-8x3	21870	KPHX3431-8x3	21926
		Mold-on Polyurethane	Roller	2500	KPHX1438-8x3	21871	KPHX3438-8x3	21927
10	2½	HD Mold-on Polyurethane	Roller	3350	KPHX1438HD-8x3	21872	KPHX3438HD-8x3	21928
		Super-K	Precision	2500	KPHX1441B-8x3	21873	KPHX3441B-8x3	21929
		Semi-Steel	Roller	2500	KPHX1406-10x2½	21876	KPHX3406-10x2½	21932
		Mold-on Polyurethane	Roller	2500	KPHX1438-10x2½	21878	KPHX3438-10x2½	21934
		HD Mold-on Polyurethane	Roller	3100	KPHX1438HD-10x2½	21879	KPHX3438HD-10x2½	21935
	3	Super-K	Precision	2500	KPHX1441B-10x2½	21880	KPHX3441B-10x2½	21936
		Semi-Steel	Roller	3000	KPHX1406-10x3	21883	KPHX3406-10x3	21939
		Drop Forged	Roller	6000	KPHX1407-10x3	21884	KPHX3407-10x3	21940
		Phenolic	Roller	2900	KPHX1431-10x3	21885	KPHX3431-10x3	21941
		Mold-on Polyurethane	Roller	3000	KPHX1438-10x3	21886	KPHX3438-10x3	21942
12	2½	HD Mold-on Polyurethane	Roller	4150	KPHX1438HD-10x3	21887	KPHX3438HD-10x3	21943
		Super-K	Precision	3000	KPHX1441B-10x3	21888	KPHX3441B-10x3	21944
		Semi-Steel	Roller	3000	KPHX1406-12x2½	21891	KPHX3406-12x2½	21947
		Phenolic	Roller	3000	KPHX1431-12x2½	21892	KPHX3431-12x2½	21948
		Mold-on Polyurethane	Roller	2700	KPHX1438-12x2½	21893	KPHX3438-12x2½	21949
	3	HD Mold-on Polyurethane	Roller	3550	KPHX1438HD-12x2½	21894	KPHX3438HD-12x2½	21950
		Semi-Steel	Roller	4000	KPHX1406-12x3	21897	KPHX3406-12x3	21953
		Phenolic	Roller	3500	KPHX1431-12x3	21898	KPHX3431-12x3	21954
		Mold-on Polyurethane	Roller	3500	KPHX1438-12x3	21899	KPHX3438-12x3	21955
		HD Mold-on Polyurethane	Roller	4950	KPHX1438HD-12x3	21900	KPHX3438HD-12x3	21956
Super-K	Precision	3400	KPHX1441B-12x3	21901	KPHX3441B-12x3	21957		



Wheel Diameter (A)	6"	8"	10"	12"
Overall Height (B)	8"	10½"	12½"	15½"
Swivel Radius (C)	5⅞"	6¼"	7¾"	8⅝"

NOTE: Four milled notches are standard for four position swivel lock (is field mountable).  
Wheel Face Contact Brake - factory or field installed. See page 9.

Mounting Bolt Diameter — ½", Axle Size — ¾"

# KINGPINLESS SUPER HEAVY FORGED TRAILER DUTY



## Series KP1500-KP3500

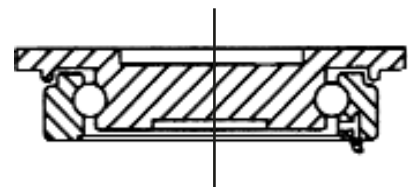
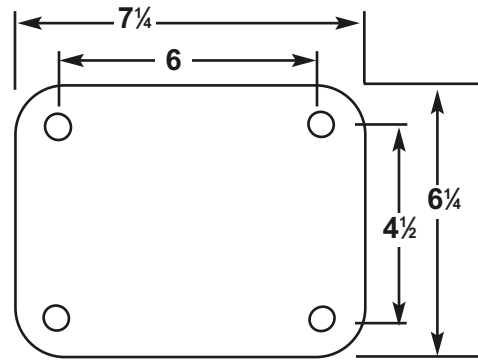
Load Capacity 2,000-10,000 Lbs. Each Caster

This Kingpinless addition to the heavy duty caster offering features a 1/2" thick forged SAE 1045 top plate, hot forged yoke base and 3/4" diameter balls in a 4-1/2" diameter induction hardened raceway with high load capability.



# CASTERS

- **Top and Yoke Plates** — 1/2" thick hot drop forged
- **Raceway** — 3/4" diameter balls in a 4 1/2" diameter induction hardened
- **Horn Side Members** — 3/8" thick, formed steel, welded inside and out
- **Wheel Bearings** — 1" heavy duty tapered roller bearing held in place by hardened thrust washers
- **Finish** — Corrosion-resistant zinc
- **Kingpin** — None (Kingpinless)
- **Lubrication** — Fittings are installed for both swivel raceway and wheel bearings as required
- **Milled Slots** — Four slots for directional lock is standard



## Wheel Options



Drop Forged



Super-K



Mold-on Polyurethane



HD Mold-on Polyurethane

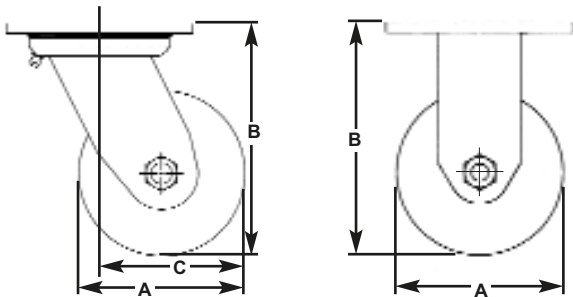




## Series KP1500-KP3500

Load Capacity 2,000-10,000 Lbs. Each Caster

Wheel Dia. (In.)	Tread Width (In.)	Wheel Material	Wheel Bearing	Load Rating (Lbs.)	Swivel Caster Desc.	Order No.	Rigid Caster Desc.	Order No.
6	3	Drop Forged	Tapered Roller	6500	KP1507T-6x3	22100	KP3507T-6x3	22136
		Mold-on Polyurethane	Tapered Roller	2100	KP1538T-6x3	22101	KP3538T-6x3	22137
		HD Mold-on Polyurethane	Tapered Roller	2450	KP1538HDT-6x3	22102	KP3538HDT-6x3	22138
		Super-K	Tapered Roller	2000	KP1541T-6x3	22103	KP3541T-6x3	22139
8	3	Drop Forged	Tapered Roller	8000	KP1507T-8x3	22106	KP3507T-8x3	22142
		Mold-on Polyurethane	Tapered Roller	2500	KP1538T-8x3	22107	KP3538T-8x3	22143
		HD Mold-on Polyurethane	Tapered Roller	3350	KP1538HDT-8x3	22108	KP3538HDT-8x3	22144
		Super-K	Tapered Roller	2500	KP1541T-8x3	22109	KP3541T-8x3	22145
	4	Drop Forged	Tapered Roller	9000	KP1507T-8x4	22112	KP3507T-8x4	22148
		HD Mold-on Polyurethane	Tapered Roller	4400	KP1538HDT-8x4	22113	KP3538HDT-8x4	22149
10	3	Drop Forged	Tapered Roller	10,000	KP1507T-10x3	22117	KP3507T-10x3	22153
		Mold-on Polyurethane	Tapered Roller	3000	KP1538T-10x3	22118	KP3538T-10x3	22154
		HD Mold-on Polyurethane	Tapered Roller	4150	KP1538HDT-10x3	22119	KP3538HDT-10x3	22155
		Super-K	Tapered Roller	3000	KP1541T-10x3	22120	KP3541T-10x3	22156
	4	Drop Forged	Tapered Roller	10,000	KP1507T-10x4	22123	KP3507T-10x4	22159
		HD Mold-on Polyurethane	Tapered Roller	5300	KP1538HDT-10x4	22124	KP3538HDT-10x4	22160
		Super-K	Tapered Roller	4200	KP1541T-10x4	22125	KP3541T-10x4	22161
		HD Mold-on Polyurethane	Tapered Roller	4950	KP1538HDT-12x3	22128	KP3538HDT-12x3	22164
12	3	Super-K	Tapered Roller	3400	KP1541T-12x3	22129	KP3541T-12x3	22165
		Mold-on Polyurethane	Tapered Roller	4800	KP1538T-12x4	22132	KP3538T-12x4	22168
	4	HD Mold-on Polyurethane	Tapered Roller	6200	KP1538HDT-12x4	22133	KP3538HDT-12x4	22169



Wheel Diameter (A)	6"	8"	10"	12"
Overall Height (B)	8½"	10½"	12½"	15½"
Swivel Radius (C)	5½"	6¾"	7¼"	8¾"

NOTE: Four Position Swivel Lock and Wheel Face Contact Brake are factory or field installed.  
 Four Position Swivel Lock (Add PL4 Suffix - Ex: KP1507T-10x3PL4)  
 Wheel Face Contact Brake (Add WFCB Suffix - Ex: KP1507T-10x3WFCB) See page 9.

Mounting Bolt Diameter — ½"  
 Axle Size — 1"



# WHEEL SELECTION GUIDE

MATERIAL	FLOOR SURFACE										CONDITIONS					
	Asphalt	Brick & Ceramic Tile	Concrete	Epoxy	Hardwood	Linoleum & Comp. Tile	Steel, Ribbed	Steel, Smooth	Terrazzo	Wood Block & Planking	Mild Chemicals	Harsh Chemicals	Small Metal Scraps	Large Metal Scraps	Excessive Heat (+160° F)	Excessive Cold (-20° F)
Ruberex (Soft Rubber) Pg. 80	•	•	•	•	•	•	•	•	•	•	•	•	•	•		
Dyna-Tred TPR/Dyna-Tred II TPR (Thermoplastic Rubber on Polypropylene) Pg. 69-70	•	•	•	•	•	•	•	•	•	•	•	•	•	•		
Mold-on Rubber on semi-steel Pg. 75	•	•	•	•	•	•	•	•	•	•	•	•	•	•		
Plaskite (Phenolic) Pg. 82	•	•	•	•	•			•	•	•	•	•			•	•
Polyflex (Polypropylene) Pg. 78	•	•	•	•	•	•		•	•	•	•	•	•	•		
Rockite (Hard Rubber) Pg. 81	•	•		•	•			•	•	•	•	•	•			
Dyna-Tred PU (Polyurethane on Polypropylene) Pg. 71	•	•	•	•	•	•	•	•	•	•	•	•	•	•	•	
Mold-on Polyurethane on semi-steel Pg. 74	•	•	•	•	•	•	•	•	•	•	•		•	•	•	
HD Mold-on Polyurethane Pg. 74	•	•	•	•	•	•	•	•	•	•	•	•	•	•	•	
K-Wheel (Solid Urethane) Pg. 73	•	•	•	•	•	•	•	•	•	•	•	•	•	•	•	
Super K-Wheel (Solid Urethane with Steel Sleeve) Pg. 72	•	•	•	•	•	•	•	•	•	•	•	•	•	•	•	
Cast Iron Pg. 76				•			•	•	•	•	•	•		•	•	
Duraflex (Solid Cushioned Rubber Tire) Pg. 79	•	•	•	•	•	•	•	•	•	•		•	•			
Pneumatic Pg. 79	•	•	•	•	•	•	•	•	•	•		•	•			
High Impact Glass Filled Nylon Pg. 90-92	•	•	•	•	•		•	•	•	•	•	•	•	•	•	
Hot Drop Forged (Steel) Pg. 77				•			•	•	•	•	•	•	•	•	•	
Sintered Iron Pg. 77				•			•	•	•	•	•	•	•	•	•	
Balloon Wheel Pg. 79	•	•	•	•	•	•	•	•	•	•	•	•	•	•		
RT Wheel (Standard) Pg. 68	•	•	•	•	•	•	•	•	•	•	•	•	•	•	•	
RT Wheel (High Temperature) Pg. 68-69	•	•	•	•	•	•	•	•	•	•	•	•	•	•	•	



## Wheel Selection Guide



### OUTSIDE DIA.

### WHEEL CAPACITY

### SERIES

1<sup>5</sup>/<sub>8</sub>" - 5"

70 - 300 lbs.

9000, E Series, 100, 400, 800

2" - 8"

80-700 lbs.

9000, E Series, 400, 800, 1400, H, KP

4" - 12"

240 - 1,150 lbs.

C1400, H, KP, HX

3" - 12"

300 - 3,500 lbs.

100, 400, 800, 1400, H, KP, HX

1<sup>5</sup>/<sub>8</sub>" - 8"

200 - 600 lbs.

9000, E Series, 100, 400, 800, 1400

1<sup>5</sup>/<sub>8</sub>" - 5"

100 - 450 lbs.

9000, E Series, 100, 400

2" - 8"

90 - 1,000 lbs.

9000, E Series, 400, 800, 1400, H, KP

4" - 12"

600 - 3,500 lbs.

1400, H, KP, HX

6" - 12"

1,760 - 4,900 lbs.

1400, H, KP, HX

3" - 8"

300 - 1,500 lbs.

400, 800, KPL, 1400, H, KP, HX

5" - 12"

1,100 - 4,200 lbs.

1400, H, KP, HX

3" - 12"

300 - 4,000 lbs.

100, KPL, H, KP, HX

6" - 12"

300 - 600 lbs.

1400

6" - 16"

250 - 515 lbs.

400, 800, 1400

3" - 8"

300 - 1,500 lbs.

300, 1400, KP

6" - 10"

6,500 - 17,000 lbs.

KP, HX

2" - 4"

150 - 450 lbs.

100

6"

300 lbs.

400, 800, 1400, KPL, KP

3<sup>1</sup>/<sub>2</sub>" - 8"

600 - 1,400 lbs.

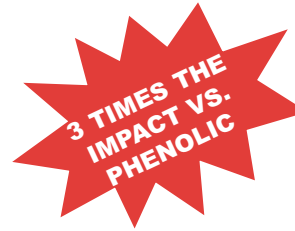
400, 800, 1400, H1400, KP, HX

3<sup>1</sup>/<sub>2</sub>" - 8"

600 - 1,400 lbs

400, 800, 1400, H1400, KP, HX

# REINFORCED THERMOPLASTIC



## RT Standard Wheels

Load Capacity 600 - 1400 Lbs. Each Wheel

Reinforced Thermoplastic material and specific processing create this high performance, durable, and cost effective wheel. The RT series of wheels, designed for use in the Faultless 1400 and 400 Series Casters, are ideally suited for food processing, tool storage, sanitary maintenance, and applications requiring easy mobility under heavy loads. They are extremely resistant to water, chemical absorption, and steam cleaning. Standard wheel operating temperature range is -20°F to +250°F and the High Temperature version range is -20°F to +480°F. Durometer is 65D.



WHEELS

Wheel Dia. (In.)	Tread Width (In.)	Load Rating (Lbs.)	Hub Length*	Axle Size					64W	65W	67W	64W
				Plain Bore Size	Bore Size With Roller Bearing	Bore Size With Precision Bearing	Bore Size With Bearing Spanner	Bore Size With Delrin Bushing	Plain Bore Order No.	Roller Bearing Order No.	Precision Bearing Order No.	Delrin Bushing Order No.
3½	1½	600	1 9/16	1 3/16	3/4	-	3/8	3/4	44332	37679	-	37678
		600	1 9/16	1/2	-	-	-	-	44334	-	-	-
		600	1 9/16	3/8	-	-	-	-	44335	-	-	-
4	1½	700	1 9/16	1 3/16	3/4	-	3/8	3/4	44336	37690	-	37689
		700	1 9/16	3/4	-	-	-	-	44337	-	-	-
		700	1 9/16	1/2	-	-	-	-	44338	-	-	-
		700	1 9/16	3/8	-	-	-	-	44339	-	-	-
5	2	800	2 3/16	1 3/16	3/4	5/8	1/2	3/4	44241	42913	42923	42892
		800	1 9/16	1 3/16	3/4	-	3/8	3/4	44341	37692	-	37691
5	1½	800	1 9/16	1/2	-	-	-	-	44343	-	-	-
		800	1 9/16	3/8	-	-	-	-	44344	-	-	-
		1000	2 3/16	1 3/16	3/4	5/8	1/2	3/4	44271	42914	42917	42908
6	2	1200	2 3/16	1 3/16	3/4	5/8	1/2	3/4	44254	42915	42918	42909
8	2	1400	2 3/16	1 3/16	3/4	5/8	1/2	3/4	44276	42916	42919	42910

## RT High-Temp Wheels

Load Capacity 600 - 1400 Lbs. Each Wheel

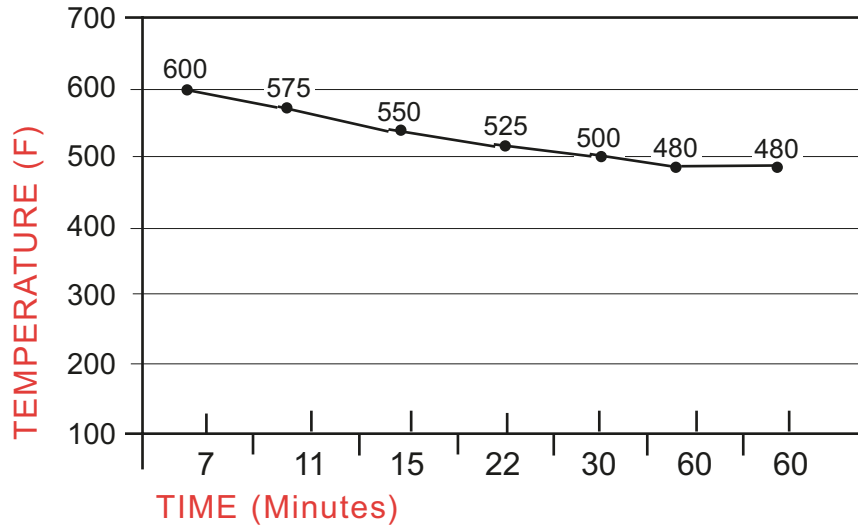
Wheel Dia. (In.)	Tread Width (In.)	Load Rating (Lbs.)	Hub Length*	Axle Size					64W	65W	67W	64W
				Plain Bore Size	Bore Size With Roller Bearing	Bore Size With Precision Bearing	Bore Size With Bearing Spanner	Bore Size With Delrin Bushing	Plain Bore Order No.	Roller Bearing Order No.	Precision Bearing Order No.	Delrin Bushing Order No.
3½	1½	600	1 9/16	1 3/16	3/4	-	3/8	-	43975	37660	-	-
		600	1 9/16	1/2	-	-	-	-	44352	-	-	-
4	1½	700	1 9/16	1 3/16	3/4	-	3/8	-	43976	37661	-	-
		700	1 9/16	1/2	-	-	-	-	44353	-	-	-
5	2	800	2 3/16	1 3/16	3/4	5/8	1/2	3/4	44210	37904	42934	43979
		800	1 9/16	1 3/16	3/4	-	3/8	-	43977	37662	-	-
5	1½	800	1 9/16	1/2	-	-	-	-	44354	-	-	-
		1000	2 3/16	1 3/16	3/4	5/8	1/2	3/4	44211	37905	42935	43980
6	2	1200	2 3/16	1 3/16	3/4	5/8	1/2	3/4	44212	37906	42936	43981
8	2	1400	2 3/16	1 3/16	3/4	5/8	1/2	3/4	44213	37907	42937	43982

• Roller Bearing for 3/8" Bore requires Spanner #41781. Spanner can be used in either standard or high temperature version.  
 • 1/2" Plain Bore reduced to 3/8" Bore requires Spanner #41840.  
 See Heat Deflection Chart on Next Page.



# THERMOPLASTIC RUBBER-ON POLYPROPYLENE

## Heat Deflection vs. Time for High Temp RT Wheels



Temperature (F)	Length of Time
480	Continuous Usage
500	Intermittent 30 Min/ Hr. usage
550	Intermittent 15 Min/ Hr. usage
600	Intermittent at 7-10 Min/ Hr. usage

WHEELS

## Dyna-Tred II

Load Capacity 80-125 Lbs. Each Wheel

Dyna-Tred II wheels, second generation of already proven and tested Dyna-Tred wheels, add a new variety of alternatives for wheels in E-Series casters. These wheels have the same chemical interlocking tread as its larger Dyna-Tred counterparts. These wheels give dollies, furniture, carts, and trucks a whole new look and ride.



Wheel Dia. (In.)	Tread Width (In.)	Load Capacity (Lbs.)	Hub Length (In.)	Axle Size (In.)	Use With Swivel Caster Series	Wheel Desc.	Order No.
2	3/4	80	29/32	1/4	EW, ER, EK, EP, EY	1-2x3/4	47122
2 1/2	13/16	80	29/32	1/4	EW, ER, EK, EP, EY	1-2 1/2 x 13/16	47123
3	13/16	90	1 1/64	1/4	EW, ER, EK, EP, EY	1-3x 13/16	47104
4	15/16	115	1 5/32	5/16	EW, ER, EK, EP, EY	1-4x 15/16	47135
5	15/16	125	1 5/32	5/16	EW, ER, EK, EP, EY	1-5x 15/16	47140

Note: Thread Guards are optional; Gray thermoplastic tread on black polypropylene core is standard. If spanner required, order separately. Plain bearing standard.

# THERMOPLASTIC RUBBER-ON POLYPROPYLENE



## Dyna-Tred TPR Wheels

Load Capacity 180-700 Lbs. Each Wheel

Thermoplastic rubber resists chemicals, caustics, oils, acids, and wear. Rugged polypropylene hub won't dent, mar, fade or stain. Tread and hub are double bonded and mechanically interlocked to eliminate tread separation. Gives dollies, carts and trucks a soft and cushioned non-marking ride. Temperature operating range is -40°F to +180°F. Durometer is 70A.




WHEELS

Wheel Dia. (In.)	Tread Width (In.)	Load Rating (Lbs.)	Hub Length (In.)	Axle Size			Use With Swivel Caster Series	Precision Bearing Desc.	Order No.	Ball Bearing Desc.	Order No.	Delrin Bearing Desc.	Order No.	Roller Bearing Desc.	Order No.
				Without Bearing	With Bearing and Spanner	With Bearing, No Spanner									
3	1 1/4	180	1 1/16	-	-	3/8	100,400	93-3x1 1/4 TG	42970	-	-	-	-	-	-
		180	1 1/16	-	-	3/8	100,400	-	-	-	-	90-3x1 1/4	42966	-	-
3 1/2	1 1/4	225	1 1/16	-	-	3/8	400	93-3 1/2 x 1 1/4 TG	42971	-	-	-	-	-	-
		225	1 1/16	-	-	3/8	400	-	-	-	-	90-3 1/2 x 1 1/4	42967	-	-
4	1 1/4	250	1 1/16	-	-	3/8	400	93-4x1 1/4 TG	42972	-	-	-	-	-	-
		250	1 1/16	-	-	-	400	-	-	-	-	90-4x1 1/4	42968	-	-
	350	2 3/8	-	1/2	3/8	1400	93-4x2	45794	-	-	-	-	-	-	
	350	2 3/8	-	1/2	3/4	1400	-	-	-	-	90-4x2	45795	-	-	
5	1 1/4	300	1 1/16	-	-	3/8	400	93-5x1 1/4 TG	42973	-	-	-	-	-	-
		300	1 1/16	-	-	3/8	400	-	-	-	-	90-5x1 1/4	42969	-	-
	450	2 3/8	-	1/2	3/8	1400	93-5x2	42947	-	-	-	-	-	-	
6	2	450	2 3/8	1 3/16	1/2	3/4	1400	-	-	-	-	90-5x2	44074	-	-
		450	2 3/8	1 3/16	1/2	3/4	1400	-	-	-	-	-	-	91-5x2	44223
	550	2 3/8	1 3/16	1/2	3/4	1400	-	-	-	-	-	-	-	91-6x2	43965
8	1 1/4	325	1 1/16	-	-	3/8	400	-	-	92-6x1 1/4	44064	-	-	-	-
		325	1 1/16	-	-	3/8	400	-	-	-	-	90-6x1 1/4	43920	-	-
	550	2 3/8	-	1/2	5/8	1400	93-6x2	44249	-	-	-	-	-	-	
	550	2 3/8	1 3/16	1/2	3/4	1400	-	-	-	-	90-6x2	44075	-	-	
8	2	700	2 3/8	1 3/16	1/2	3/4	1400	-	-	-	-	-	-	-	-
		700	2 3/8	1 3/16	1/2	3/4	1400	-	-	-	-	90-8x2	44077	-	-
		700	2 3/8	1 3/16	1/2	3/4	1400	-	-	-	-	-	-	91-8x2	44222


Note: Gray thermoplastic tread on black polypropylene core is standard. If spanner required, order separately. Special Top Hat Spanner used with Precision Bearing. Wheels with 2" tread width. \*Black Tread with Gray Core

Also Available - Super Soft Version - 55A


### Bearing Options




Top Hat Spanner



Precision



Delrin



Roller



# POLYURETHANE ON POLYPROPYLENE

## Dyna-Tred PU Wheels

Load Capacity 225-1,000 Lbs. Each Wheel



Polyurethane tread for high load capacity and extended wear. Protects floors and resists chemicals, caustics, acids, and oils. Rugged polypropylene hub will not dent, mar, fade, or stain. Tread and hub are mechanically inter-locked to eliminate tread separations. Temperature operating range is -40°F to +180°F. Durometer is 90A.

Wheel Dia. (In.)	Tread Width (In.)	Load Rating (Lbs.)	Hub Length (In.)	Axle Size			Use With Swivel Caster Series	Precision Bearing Desc.	Order No.	Ball Bearing Desc.		Delrin Bearing Desc.	Order No.	Roller Bearing Desc.		Order No.
				Without Bearing	With Bearing and Spanner	With Bearing, No Spanner				Order No.	Order No.			Order No.	Order No.	
3	1 1/4	225	1 1/16	-	-	3/8	100,400	99-3x1 1/4TG	42978	-	-	-	-	-	-	-
		225	1 1/16	-	-	3/8	100,400	-	-	-	-	96-3x1 1/4	42974	-	-	
3 1/2	1 1/4	250	1 1/16	-	-	3/8	400	99-3 1/2x1 1/4TG	42979	-	-	-	-	-	-	-
		250	1 1/16	-	-	3/8	400	-	-	-	-	96-3 1/2x1 1/4	42975	-	-	
4	1 1/4	300	1 1/16	-	-	3/8	400	99-4x1 1/4TG	42980	-	-	-	-	-	-	-
		300	1 1/16	-	-	-	400	-	-	-	-	96-4x1 1/4	42976	-	-	
	2	600	2 3/8	-	1/2	5/8	1400	99-4x2	42949	-	-	-	-	-	-	-
		600	2 3/8	-	1/2	3/4	1400	-	-	-	-	96-4x2	45797	-	-	
		600	2 3/8	-	1/2	3/4	1400	-	-	-	-	-	-	98-4x2	45798	
5	1 1/4	325	1 1/16	-	-	3/8	400	99-5x1 1/4TG	42981	-	-	-	-	-	-	-
		325	1 1/16	-	-	3/8	400	-	-	-	-	96-5x1 1/4	42977	-	-	
	2	750	2 3/8	-	1/2	5/8	1400	99-5x2	42950	-	-	-	-	-	-	-
750		2 3/8	1 3/16	1/2	3/4	1400	-	-	-	-	96-5x2	44081	-	-		
		750	2 3/8	1 3/16	1/2	3/4	1400	-	-	-	-	-	-	98-5x2	44172	
6	1 3/8	350	1 1/16	-	-	3/8	400	-	-	97-6x1 3/8	44076	-	-	-	-	
		350	1 1/16	1 1/8	3/8	1/2	400	-	-	-	-	96-6x1 3/8	42111	-	-	
	2	900	2 3/8	-	1/2	5/8	1400	99-6x2	42162	-	-	-	-	-	-	
		900	2 3/8	1 3/16	1/2	3/4	1400	-	-	-	-	96-6x2	44083	-	-	
		900	2 3/8	1 3/16	1/2	3/4	1400	-	-	-	-	-	-	98-6x2	44175	
8	2	1000	2 3/8	-	1/2	5/8	1400	99-8x2	42164	-	-	-	-	-	-	
		1000	2 3/8	1 3/16	1/2	3/4	1400	-	-	-	-	96-8x2	44100	-	-	
		1000	2 3/8	1 3/16	1/2	3/4	1400	-	-	-	-	-	-	98-8x2	44170	

Note: If spanner required, order separately. Red polyurethane on black polypropylene core is standard on 2" wide wheels. Gray on black standard on 1 1/4" wide wheels.

### Bearing Options



Top Hat Spanner



Precision



Delrin



Roller

WHEELS

**Super K**

Load Capacity 1100-4200 Lbs. Each Caster

The Faultless Super-K is molded from a polyether-based polyurethane material that resists compression set, rejects foreign objects, and has excellent resiliency for ease of movement in manual or in tow applications. The Super-K wheel will outperform all competition by combining a mechanically locked solid steel hub with precision grade bearings. For severe axial loadings, try our tapered bearing assembly. Temperature operating range is -50°F to +180°F. Durometer is 55D. Standard color is Blue.




**WHEELS**

Wheel Dia. (In.)	Tread Width (In.)	Load Rating (Lbs.)	Hub Length (In.)	Axle Size		Radial Ball Bearing Desc.	Order No.	Tapered Bearing Desc.	Order No.	
				With Spanner*	With Bearing, No Spanner					
5	2	1100	2¼	½	-	41B-5x2	37887	-	-	
	2	1500	2¼	½	-	41B-6x2	37877	-	-	
6	2½	1620	¾	¾	-	41B-6x2½	37914	-	-	
	3	2500	¾	¾	-	41B-6x3	37917	-	-	
		2500	¾	-	1¼	-	-	-	41T-6x3	62675
8	2	1800	2¼	½	-	41B-8x2	37879	-	-	
	2½	2000	¾	¾	-	41B-8x2½	37915	-	-	
	3	2500	¾	¾	-	41B-8x3	37918	-	-	
		2500	¾	-	1	-	-	-	41T-8x3	62676
		2500	¾	-	1¼	-	-	-	41T-8x3	62677
10	2½	2500	¾	¾	-	41B-10x2½	37916	-	-	
	3	3000	¾	¾	-	41B-10x3	37919	-	-	
		3000	¾	-	1¼	-	-	-	41T-10x3	62681
	4	4200	4¼	-	1¼	-	-	41T-10x4	62683	
12	3	3400	¾	¾	-	41B-12x3	37921	-	-	


\*Spanner included with all ball bearing Super K-Wheels

NOTE: Capacity ratings are based on intermittent service with speeds up to 5 mph. Speeds from 5 to 10 mph reduce capacity by 20%.

**Bearing Options**



Tapered



Precision





# SOLID URETHANE

## K-Wheel

Load Capacity 300-1,500 Lbs. Each Wheel



The K-Wheel is molded from a high strength urethane compound which possesses the load characteristics of steel but gives the smooth effortless ride you expect from polyurethane. Solid wheel has no plastic or metal core thereby eliminating any possibility of tread separation. It is not affected by blood, brine, greases, oils, or most harsh chemicals. It's steam cleanable. Temperature operating range is -50°F to +180°F. Durometer is 55D. Standard color is blue.


Wheel Dia. (In.)	Tread Width (In.)	Load Rating (Lbs.)	Hub Length (In.)	Axle Size			Use With Swivel Caster Series	Precision Bearing Desc.	Order No.	Delrin Bearing Desc.	Order No.	Roller Bearing Desc.	Order No.	Plain Bore Desc.	Order No.
				Without Bearing	With Bearing No Spanner	With Bearing and Spanner									
3	1 1/4	300	1 9/16	1/2	-	3/8	400	-	-	-	-	-	-	42-3x1 1/4	44182
	1 1/4	500	1 9/16	1/2	-	3/8	400	-	-	-	-	-	-	42-4x1 1/4	44185
4	2	700	2 3/16	1 3/16	3/4	1/2	1400	-	-	40-4x2	41999	-	-	42-4x2	44191
		700	2 3/16	1 3/16	3/4	1/2	1400	-	-	-	-	41-4x2	42002	-	-
	700	2 3/16	1 3/16	5/8	1/2	1400	43-4x2	42911	-	-	-	-	-	-	-
	1 1/4	700	1 9/16	1/2	-	3/8	400	-	-	-	-	-	-	42-5x1 1/4	44195
5	2	1000	2 3/16	1 3/16	3/4	1/2	1400	-	-	-	-	-	-	42-5x2	44198
		1000	2 3/16	1 3/16	3/4	1/2	1400	-	-	40-5x2	42003	-	-	-	-
		1000	2 3/16	1 3/16	3/4	1/2	1400	-	-	-	-	41-5x2	42005	-	-
		1000	2 3/16	1 3/16	5/8	1/2	1400	43-5x2	42920	-	-	-	-	-	-
	1200	2 3/16	1 3/16	3/4	1/2	1400	-	-	-	-	-	-	-	42-6x2	44200
6	2	1200	2 3/16	1 3/16	3/4	1/2	1400	-	-	40-6x2	42012	-	-	-	-
		1200	2 3/16	1 3/16	3/4	1/2	1400	-	-	-	-	41-6x2	42014	-	-
		1200	2 3/16	1 3/16	5/8	1/2	1400	43-6x2	42922	-	-	-	-	-	-
		1500	2 3/16	1 3/16	3/4	1/2	1400	-	-	-	-	-	-	42-8x2	44202
8	2	1500	2 3/16	1 3/16	3/4	1/2	1400	-	-	40-8x2	42016	-	-	-	-
		1500	2 3/16	1 3/16	3/4	1/2	1400	-	-	-	-	41-8x2	42018	-	-
		1500	2 3/16	1 3/16	5/8	1/2	1400	43-8x2	42912	-	-	-	-	-	-

If spanner required, order separately.


**NOTE: Autoclave/Anti-Static material available. Contact Factory.**

Capacity ratings on precision bearing wheels are based on intermittent service with speeds up to 5 mph. Speeds from 5 to 10 mph reduce capacity by 20%.


### Bearing Options




Top Hat Spanner



Precision



Delrin



Roller

WHEELS

## Duro-Tred Vulcanized Wheels

Load Capacity 700-4,950 Lbs. Each Wheel

Polyurethane tread permanently attached to a metal core delivers a cushioned ride, excellent mobility, and extended life under extremely heavy loads. Duro-Tred wheels protect floors and loads better and will wear four to ten times longer than other wheel materials. Standard with roller bearings. Temperature operating range is -40°F to +180°F. Durometer rating is 95A in standard.



**WHEELS**

Wheel Dia. (In.)	Tread Width (In.)	Load Rating (Lbs.)	Hub Length (In.)	Axle Size			Use With Swivel Caster Series	Wheel Desc.	Order No.
				Without Roller Bearing	With Bearing, No Spanner	With Bearing and Spanner			
4	2	700	2 <sup>3</sup> / <sub>16</sub>	1 <sup>3</sup> / <sub>16</sub>	3/4	1/2	1400	38-4x2	37870
5	2	1000	2 <sup>3</sup> / <sub>16</sub>	1 <sup>3</sup> / <sub>16</sub>	3/4	1/2	1400, HX, KP	38-5x2	37860
6	2	1250	2 <sup>3</sup> / <sub>16</sub>	1 <sup>3</sup> / <sub>16</sub>	3/4	1/2	1400, HX, KP	38-6x2	37863
		1760	2 <sup>3</sup> / <sub>16</sub>	1 <sup>3</sup> / <sub>16</sub>	3/4	1/2	HX, KP	38HD-6x2	37940
	2 1/2	1600	2 <sup>7</sup> / <sub>8</sub>	1 <sup>3</sup> / <sub>16</sub>	3/4	1/2	H	38-6Hx2 1/2	37791
		1650	3/4	1 <sup>15</sup> / <sub>16</sub>	1	3/4	HX, KP	38-6x2 1/2	37795
		2150	3/4	1 <sup>15</sup> / <sub>16</sub>	1	3/4	HX, KP	38HD-6x2 1/2	37941
	3	2100	3/4	1 <sup>15</sup> / <sub>16</sub>	1	3/4	HX, KP	38-6x3	37801
2450		3/4	1 <sup>15</sup> / <sub>16</sub>	1	3/4	H, HX	38HD-6x3	37942	
8	2	1500	2 <sup>3</sup> / <sub>16</sub>	1 <sup>3</sup> / <sub>16</sub>	3/4	1/2	1400, HX, KP	38-8x2	37865
		2200	2 <sup>3</sup> / <sub>16</sub>	1 <sup>3</sup> / <sub>16</sub>	3/4	1/2	1400, HX, KP	38HD-8x2	37943
	2 1/2	1600	2 <sup>7</sup> / <sub>8</sub>	1 <sup>3</sup> / <sub>16</sub>	3/4	1/2	H	38-8Hx2 1/2	37793
		2100	3/4	1 <sup>15</sup> / <sub>16</sub>	1	3/4	HX, KP	38-8x2 1/2	37796
		2600	3/4	1 <sup>15</sup> / <sub>16</sub>	1	3/4	HX, KP	38HD-8x2 1/2	37944
	3	2500	3/4	1 <sup>15</sup> / <sub>16</sub>	1	3/4	HX, KP	38-8x3	37802
3350		3/4	1 <sup>15</sup> / <sub>16</sub>	1	3/4	HX, KP	38HD-8x3	37945	
10	2 1/2	1800	2 <sup>7</sup> / <sub>8</sub>	1 <sup>3</sup> / <sub>16</sub>	3/4	1/2	H	38-10Hx2 1/2	37794
		2500	3/4	1 <sup>15</sup> / <sub>16</sub>	1	3/4	HX, KP	38-10x2 1/2	37797
		3100	3/4	1 <sup>15</sup> / <sub>16</sub>	1	3/4	HX, KP	38HD-10x2 1/2	37947
	3	3000	3/4	1 <sup>15</sup> / <sub>16</sub>	1	3/4	HX, KP	38-10x3	37803
		4150	3/4	1 <sup>15</sup> / <sub>16</sub>	1	3/4	HX, KP	38HD-10x3	37948
12	2 1/2	2700	3/4	1 <sup>15</sup> / <sub>16</sub>	1	3/4	HX, KP	38-12x2 1/2	37800
		3550	3/4	1 <sup>15</sup> / <sub>16</sub>	1	3/4	HX, KP	38HD-12x2 1/2	37950
	3	3500	3/4	1 <sup>15</sup> / <sub>16</sub>	1	3/4	HX, KP	38-12x3	37804
		4950	3/4	1 <sup>15</sup> / <sub>16</sub>	1	3/4	HX	38HD-12x3	37951

If spanner required, order separately.

Note: Other bearing options available contact factory.



**Vulcanized Rubber Tread Wheels**

Load Capacity 380-1,870 lbs. Each Wheel



Cushioned rubber tread permanently vulcanized to a semi-steel core is recommended for quiet movement with heavy loads. Molded core provides added strength with a reinforced, double-thick hub. Vulcanized rubber-tread wheels are standard with roller bearings. Temperature operating range is -40°F to +158°F. Durometer rating is 75A.

Wheel Dia. (In.)	Tread Width (In.)	Load Rating (Lbs.)	Hub Length (In.)	Axle Size			Use With Swivel Caster Series	Tread Wheel Desc.	Order No.
				Without Roller Bearing	With Bearing, No Spanner	With Bearing and Spanner			
4	2	380	2 <sup>3</sup> / <sub>16</sub>	1 <sup>3</sup> / <sub>16</sub>	<sup>3</sup> / <sub>4</sub>	<sup>1</sup> / <sub>2</sub>	1400	18-4x2	37810
5	2	380	2 <sup>3</sup> / <sub>16</sub>	1 <sup>3</sup> / <sub>16</sub>	<sup>3</sup> / <sub>4</sub>	<sup>1</sup> / <sub>2</sub>	1400, HX	18-5x2	37813
6	2	420	2 <sup>3</sup> / <sub>16</sub>	1 <sup>3</sup> / <sub>16</sub>	<sup>3</sup> / <sub>4</sub>	<sup>1</sup> / <sub>2</sub>	H, CPA	18-6x2	37861
		770	2 <sup>1</sup> / <sub>4</sub>	1 <sup>3</sup> / <sub>16</sub>	<sup>3</sup> / <sub>4</sub>	-	HX	18HD-6x2	61488
	2 <sup>1</sup> / <sub>2</sub>	600	2 <sup>7</sup> / <sub>8</sub>	1 <sup>3</sup> / <sub>16</sub>	<sup>3</sup> / <sub>4</sub>	<sup>1</sup> / <sub>2</sub>	H	18-6Hx2 <sup>1</sup> / <sub>2</sub>	37769
		600	3 <sup>1</sup> / <sub>4</sub>	1 <sup>15</sup> / <sub>16</sub>	1	<sup>3</sup> / <sub>4</sub>	HX	18-6x2 <sup>1</sup> / <sub>2</sub>	37773
	3	700	3 <sup>1</sup> / <sub>4</sub>	1 <sup>15</sup> / <sub>16</sub>	1	<sup>3</sup> / <sub>4</sub>	HX	18-6x3	37779
		1050	3 <sup>1</sup> / <sub>4</sub>	1 <sup>13</sup> / <sub>16</sub>	1	-	HX	18HD-6x3	61489
8	2	500	2 <sup>3</sup> / <sub>16</sub>	1 <sup>3</sup> / <sub>16</sub>	<sup>3</sup> / <sub>4</sub>	<sup>1</sup> / <sub>2</sub>	H, CPA	18-8x2	37891
		1000	2 <sup>1</sup> / <sub>4</sub>	1 <sup>3</sup> / <sub>16</sub>	<sup>3</sup> / <sub>4</sub>	-	HX	18-8HDx2	61490
	2 <sup>1</sup> / <sub>2</sub>	800	2 <sup>7</sup> / <sub>8</sub>	1 <sup>3</sup> / <sub>16</sub>	<sup>3</sup> / <sub>4</sub>	<sup>1</sup> / <sub>2</sub>	H	18-8Hx2 <sup>1</sup> / <sub>2</sub>	37770
		800	3 <sup>1</sup> / <sub>4</sub>	1 <sup>15</sup> / <sub>16</sub>	1	<sup>3</sup> / <sub>4</sub>	HX	18-8x2 <sup>1</sup> / <sub>2</sub>	37774
	3	1100	3 <sup>1</sup> / <sub>4</sub>	1 <sup>13</sup> / <sub>16</sub>	1	-	HX	18-8HDx2 <sup>1</sup> / <sub>2</sub>	61491
		850	3 <sup>1</sup> / <sub>4</sub>	1 <sup>15</sup> / <sub>16</sub>	1	<sup>3</sup> / <sub>4</sub>	HX	18-8x3	37780
		1200	3 <sup>1</sup> / <sub>4</sub>	1 <sup>13</sup> / <sub>16</sub>	1	-	HX	18-8HDx3	61492
10	2 <sup>1</sup> / <sub>2</sub>	800	2 <sup>7</sup> / <sub>8</sub>	1 <sup>3</sup> / <sub>16</sub>	<sup>3</sup> / <sub>4</sub>	<sup>1</sup> / <sub>2</sub>	H	18-10Hx2 <sup>1</sup> / <sub>2</sub>	37772
		900	3 <sup>1</sup> / <sub>4</sub>	1 <sup>15</sup> / <sub>16</sub>	1	<sup>3</sup> / <sub>4</sub>	HX	18-10x2 <sup>1</sup> / <sub>2</sub>	37776
		1150	3 <sup>1</sup> / <sub>4</sub>	1 <sup>13</sup> / <sub>16</sub>	1	-	HX	18-10HDx2 <sup>1</sup> / <sub>2</sub>	61493
	3	1000	3 <sup>1</sup> / <sub>4</sub>	1 <sup>15</sup> / <sub>16</sub>	1	<sup>3</sup> / <sub>4</sub>	HX	18-10x3	37781
		1650	3 <sup>1</sup> / <sub>4</sub>	1 <sup>13</sup> / <sub>16</sub>	1	-	HX	18-10HDx3	61494
		12	2 <sup>1</sup> / <sub>2</sub>	900	3 <sup>1</sup> / <sub>4</sub>	1 <sup>15</sup> / <sub>16</sub>	1	<sup>3</sup> / <sub>4</sub>	HX
1550	3 <sup>1</sup> / <sub>4</sub>			1 <sup>13</sup> / <sub>16</sub>	1	-	HX	18HD-12x2 <sup>1</sup> / <sub>2</sub>	61507
3	1150		3 <sup>1</sup> / <sub>4</sub>	1 <sup>15</sup> / <sub>16</sub>	1	<sup>3</sup> / <sub>4</sub>	HX	18-12x3	37783
1870	3 <sup>1</sup> / <sub>4</sub>	1 <sup>13</sup> / <sub>16</sub>	1	-	HX	18HD-12x3	61508		

NOTE: Roller Bearings are standard. If spanner required, order separately.

WHEELS

**Cast Iron**

Load Capacity 700-4,000 Lbs. Each Wheel

Semi-Steel — Cast iron toughened with steel, this wheel has extremely high load ratings and exceptionally long wear life. It's recommended for rough wood and concrete floors – a good choice for moving heavy loads in manufacturing and warehousing. Long-life features include a heavy tread and plain or roller bearings. Ideal in extreme operating temperature ranges of -40°F to +800°F with optional high temperature grease.



**WHEELS**

Wheel Dia. (In.)	Tread Width (In.)	Load Rating (Lbs.)	Hub Length (In.)	Axle Size				Use With Swivel Caster Series	Roller Bearing Desc.	Order No.
				Without Roller Bearing	Plain Bearing	With Bearing, No Spanner	With Bearing and Spanner			
4	2	700	2 <sup>3</sup> / <sub>8</sub>	1 <sup>3</sup> / <sub>16</sub>	1/2	3/4	1/2	1400, KP	06-4x2	37715
5	2	1000	2 <sup>3</sup> / <sub>8</sub>	1 <sup>3</sup> / <sub>16</sub>	1/2	3/4	1/2	1400, KP	06-5x2	37716
6	2	1200	2 <sup>3</sup> / <sub>8</sub>	1 <sup>3</sup> / <sub>16</sub>	-	3/4	1/2	KP, 1400, H, HX	06-6x2	37721
		1600	2 <sup>7</sup> / <sub>8</sub>	1 <sup>3</sup> / <sub>16</sub>	-	3/4	1/2	H	06-6Hx2 <sup>1</sup> / <sub>2</sub>	37748
	2 <sup>1</sup> / <sub>2</sub>	2500	3 <sup>1</sup> / <sub>4</sub>	1 <sup>15</sup> / <sub>16</sub>	-	1	3/4	HX, KP	06-6x2 <sup>1</sup> / <sub>2</sub>	37751
		3	2500	3 <sup>1</sup> / <sub>4</sub>	1 <sup>15</sup> / <sub>16</sub>	-	1	3/4	HX, KP	06-6x3
8	2	1500	2 <sup>3</sup> / <sub>8</sub>	1 <sup>3</sup> / <sub>16</sub>	-	3/4	1/2	1400, H, KP	06-8x2	37733
		1600	2 <sup>7</sup> / <sub>8</sub>	1 <sup>3</sup> / <sub>16</sub>	-	3/4	1/2	H	06-8Hx2 <sup>1</sup> / <sub>2</sub>	37749
	2 <sup>1</sup> / <sub>2</sub>	2500	3 <sup>1</sup> / <sub>4</sub>	1 <sup>15</sup> / <sub>16</sub>	-	1	3/4	HX, KP	06-8x2 <sup>1</sup> / <sub>2</sub>	37752
		3	2800	3 <sup>1</sup> / <sub>4</sub>	1 <sup>15</sup> / <sub>16</sub>	-	1	3/4	HX, KP	06-8x3
10	2 <sup>1</sup> / <sub>2</sub>	1800	2 <sup>7</sup> / <sub>8</sub>	1 <sup>3</sup> / <sub>16</sub>	-	3/4	1/2	H	06-10Hx2 <sup>1</sup> / <sub>2</sub>	37750
		2500	3 <sup>1</sup> / <sub>4</sub>	1 <sup>15</sup> / <sub>16</sub>	-	1	3/4	HX, KP	06-10x2 <sup>1</sup> / <sub>2</sub>	37753
	3	3000	3 <sup>1</sup> / <sub>4</sub>	1 <sup>15</sup> / <sub>16</sub>	-	1	3/4	HX, KP	06-10x3	37761
12	2 <sup>1</sup> / <sub>2</sub>	3000	3 <sup>1</sup> / <sub>4</sub>	1 <sup>15</sup> / <sub>16</sub>	-	1	3/4	HX, KP	06-12x2 <sup>1</sup> / <sub>2</sub>	37754
	3	4000	3 <sup>1</sup> / <sub>4</sub>	1 <sup>15</sup> / <sub>16</sub>	-	1	3/4	HX	06-12x3	37765

**Bearing Options**



**Steel Caged Roller**

NOTE: Roller bearing versions equipped with plastic cage bearings. If temperature exceeds 300° contact factory. If spanner required, order separately.



# METAL WHEELS

## Drop Forged Wheels

Load Capacity 6,500-17,000 Lbs. Each Wheel



Hot drop forged steel wheels are die-formed from pre-heated carbon steel billets, providing uniform material thickness and maximum load bearing characteristics. Temperature operating range is -40°F to +800°F with optional high temperature grease.

Wheel Dia. (In.)	Tread Width (In.)	Load Rating (Lbs.)	Hub Length (In.)	Axle Size (In.)	Use With Caster Series	Wheel Desc.	Order No.
6	3	6500	3¼	1	HX/KP	07T-6x3	61520
		12000	3¼	1¼	HX/KP	07T-6x3	61521
8	3	8000	3¼	1	HX/KP	07T-8x3	61522
		15000	3¼	1¼	HX/KP	07T-8x3	61523
	4	9000	4¼	1	HX/KP	07T-8x4	61524
		16000	4¼	1¼	HX/KP	07T-8x4	61525
10	3	9500	3¼	1	HX/KP	07T-10x3	61526
		16000	3¼	1¼	HX/KP	07T-10x3	61527
	4	10500	4¼	1	HX/KP	07T-10x4	61528
		17000	4¼	1¼	HX/KP	07T-10x4	61529

T- Tapered Roller Bearing Standard

WHEELS

## Sintered Iron

Load Capacity 150-450 Lbs. Each Wheel



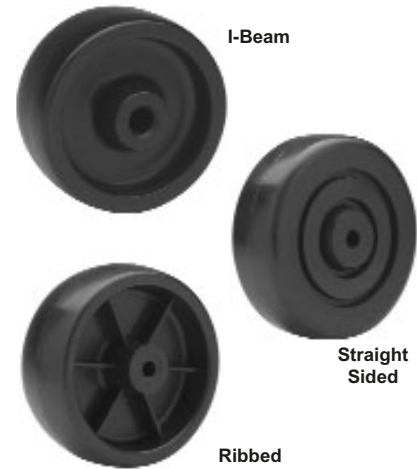
Sintered Iron — Powdered iron, compacted and sintered to cast-iron strength, makes a concentric and smooth tread. Standard with plain bearings. Temperature operating range is -40°F to +500°F.

Wheel Dia. (In.)	Tread Width (In.)	Load Rating (Lbs.)	Hub Length (In.)	Axle Size (In.)	Use With Caster Series	Wheel Desc.	Order No.
2	15/16	150	1	1/4	100	08-2x1	44035
2½	1	200	1 3/8	5/16	100	08-2½x1	43820
3	1 3/16	300	1 9/16	3/8	100	08-3x1 3/16	43925
4	1 3/8	450	1 15/16	7/16	100	08-4x1 3/8	43926

## Polyflex

Load Capacity 200-600 Lbs. Each Wheel

This polypropylene wheel has a light weight, low cost, high impact strength. It resists water and chemical absorption, even stands up to repeated steam cleaning. Non-marking tread provides excellent floor protection. Polypropylene is one of the strongest and most economical wheels in many caster applications. It's available with plain or roller bearings. Temperature operating range is -20°F to +180°F. Durometer is 60D.



WHEELS

Wheel Dia. (In.)	Tread Width (In.)	Load Rating (Lbs.)	Hub Length (In.)	Axle Size			Use With Swivel Caster Series	Plain Bearing Desc.	Order No.	Roller Bearing Desc.	Order No.	
				With Plain Bearing	With Bearing, No Spanner	With Bearing and Spanner						
2½	1⅞	200	1⅜	5/16	-	-	100, 400	60-2½x1⅞	45060	-	-	
3	1¼	270	1⅞	3/8	-	-	100, 400	60-3x1¼	43183	-	-	
3½	1¼	275	1⅞	3/8	-	-	400	60S-3½x1¼	45767	-	-	
		275	1⅞	½	-	-	400	60S-3½x1¼	45766	-	-	
4	1⅞	400	1 <sup>29</sup> / <sub>32</sub>	7/16	-	-	100	60-4x1⅞	45068	-	-	
		300	1⅞	3/8	-	-	400	60S-4x1¼	45769	-	-	
	300	1⅞	½	-	-	400	60S-4x1¼	45768	-	-		
	1½	350	1⅞	3/8	-	-	400	60S-4x1½	45771	-	-	
		350	1⅞	½	-	-	400	60S-4x1½	45770	-	-	
	350	1⅞	350	1⅞	1/16	½	3/8	400	-	-	61S-4x1½	45772
			400	2¼	3/4	-	-	1400	60-4x2	43102	-	-
	2	2⅞	400	2⅞	1⅞	3/4	½	1400	-	-	61-4x2	43467
350			1⅞	3/8	-	-	400	60S-5x1¼	45785	-	-	
5	1¼	350	1⅞	1/16	½	3/8	400	-	-	61S-5x1¼	45783	
		400	1⅞	3/8	-	-	400	60S-5x1½	45774	-	-	
	1½	400	1⅞	½	-	-	400	60S-5x1½	45773	-	-	
		500	2⅞	½	-	-	1400	60S-5x2	45786	-	-	
	2	500	2⅞	3/4	-	-	1400	60S-5x2	45776	-	-	
		500	2⅞	½	-	-	1400	60-5x2 Rib	43997	-	-	
	500	2⅞	500	2⅞	1⅞	3/4	½	1400	-	-	61-5x2 Rib	43135
			500	2⅞	3/4	-	-	1400	60-5x2 Rib	43129	-	-
6	2	550	2⅞	3/4	-	-	1400	60S-6x2	45778	-	-	
		550	2⅞	1⅞	3/4	½	1400	-	-	61S-6x2	45793	
	550	2⅞	½	-	-	1400	60-6x2 Rib	47995	-	-		
	550	2⅞	3/4	-	-	1400	60-6x2 Rib	43944	-	-		
	550	2⅞	1⅞	3/4	½	1400	-	-	61-6x2 Rib	43137		
	600	2⅞	3/4	-	½	1400	60-8x2	43138	-	-		
8	2	600	2⅞	1⅞	3/4	½	1400	-	-	61-8x2	43139	



# DURAFLEX & PNEUMATIC WHEELS

## Duraflex

Load Capacity 300 - 600 Lbs. Each Wheel



Duraflex wheels are solid cushion tires made from a special blend of granular rubber and chemical accelerators, cured under tremendous pressure. The result is a "bouncy" high impact resistant and puncture proof wheel. Tires are mounted on rugged polypropylene centers which will not dent or rust like conventional metal hubs. Ideal for hand trucks or other equipment which requires a soft, cushioned ride. Durometer is 80A.

Wheel Dia. (In.)	Tread Width (In.)	Wheel Bearing	Bore (In.)	Centered Or Offset	Hub Length (In.)	Load Rating (Lbs.)	Wheel Desc.	Order No.
6	1½	Roller	¾*	C	2¼	300	181-6x1½	44154
8	2	Roller	¾*	C	2¼	500	181-8x2	44155
		Ball	⅝	Off	2¼	500	182-8x225x2¼ Off-⅝	44144
	2¼	Ball	¾	Off	2¼	500	182-8x225x2¼ Off-¾	44145
		Ball	⅝	C	2½	500	182-8x225x2½-⅝	44146
		Ball	¾	C	2½	500	182-8x225x2½-¾	44147
10	2½	Ball	⅝	Off	2¼	550	182-10x250x2¼ Off-⅝	44148
		Ball	¾	Off	2¼	550	182-10x250x2¼ Off-¾	44149
		Ball	⅝	C	3¼	550	182-10x250x3¼-⅝	44150
		Ball	¾	C	3¼	550	182-10x250x3¼-¾	44151
12	3	Ball	⅝	C	3¼	600	182-12x300x3¼-⅝	44153
		Ball	¾	C	3¼	600	182-12x300x3¼-¾	44152

NOTE: Specify for 1400 Series ⅜" bore without spanner bushing; for ½" bore order spanner bushing EDP No. 41878



## Pneumatic

Load Capacity 125-515 Lbs. Each Wheel

This Faultless wheel provides a cushioned ride for delicate instruments and breakable items. The tube-type, pressurized tire combines shock absorption with quiet operation and easy rolling. Standard with ball bearings.

Nominal Dia. (In.)	Ply Rating	Bore (In.)	Wheel Bearing	Hub Width (In.)	Hub Color	Load Rating (Lbs.)	Tread Style	Wheel Desc.	Order No.
6	4	½	Ball	2¼ <sub>16</sub>	Silver	125	Sawtooth	119-6x2BLK	44131
6	4	½	Ball	2¼ <sub>16</sub>	Silver	125	Sawtooth	119-6x2GRY	44142
8	4	½	Ball	3¼	Silver	300	Sawtooth	119-8x2.50	44104
10	4	½	Ball	4	Silver	350	Sawtooth	119-10x3.50	44121
12	4	½	Ball	4¼ <sub>16</sub>	Silver	450	Sawtooth	119-12x3.50	44125
16	2	⅝	Ball	6	Red	515	Ribbed	4.80x4.00x8x⅝BP	20578

NOTE: All of the above Pneumatic wheels are centered. Contact Factory for Gray Wheel, Wheel Desc. 119-8x250, Order #44118



## Balloon Wheels

Load Capacity 300 Lbs. Each Wheel

Wheel Dia. (In.)	Tread Width (In.)	Bore (In.)	Hub Length (In.)	Load Ratings (Lbs.)	Tread Style	Radial Wheel Desc.	Order No.
6	2½ <sub>32</sub>	½	2¼ <sub>16</sub>	300	Full Radius	16-6x2	43986

NOTE: #43987 - Gray Tread optional.

WHEELS

## Ruberex®

Load Capacity 70-240 Lbs. Each Wheel

This composition rubber wheel combines a soft rubber tread with a hard rubber core for quiet movement, a cushioned ride, and maximum floor protection. Temperature operating range is -40°F to +158°F. Durometer is 75A.



WHEELS

Wheel Dia. (In.)	Tread Width (In.)	Load Rating (Lbs.)	Hub Length (In.)	Axle Size				Use With Swivel Caster Series	Plain Bearing Desc.	Order No.
				Without Roller Bearing	Plain Bearing	With Bearing No Spanner	With Bearing and Spanner			
1 <sup>5</sup> / <sub>8</sub>	4 <sup>7</sup> / <sub>64</sub>	70	3/4	-	7/32	-	-	9000, EW, EY	4-1 <sup>5</sup> / <sub>8</sub> x 4 <sup>7</sup> / <sub>64</sub>	47155
2	7/8	80	1 <sup>5</sup> / <sub>16</sub>	-	1/4	-	-	9000, EW, EY	4-2x 7/8	47163
	1	90	1 <sup>1</sup> / <sub>64</sub>	-	1/4	-	-	100	21-2x 1	47172
2 <sup>1</sup> / <sub>2</sub>	1 <sup>3</sup> / <sub>16</sub>	80	2 <sup>9</sup> / <sub>32</sub>	-	1/4	-	-	W, EW, EY	4-2 <sup>1</sup> / <sub>2</sub> x 1 <sup>3</sup> / <sub>16</sub>	47173
	1 <sup>1</sup> / <sub>8</sub>	100	1 <sup>3</sup> / <sub>8</sub>	-	5/16	-	-	100, 400	21-2 <sup>1</sup> / <sub>2</sub> x 1 <sup>1</sup> / <sub>8</sub>	47231
3	1 <sup>3</sup> / <sub>16</sub>	90	1 <sup>1</sup> / <sub>64</sub>	-	1/4	-	-	9000, EP	4-3x 1 <sup>3</sup> / <sub>16</sub>	47175
	1 <sup>1</sup> / <sub>4</sub>	175	1 <sup>9</sup> / <sub>16</sub>	1 <sup>1</sup> / <sub>16</sub>	3/8	1/2	3/8	100, 400	21-3x 1 <sup>1</sup> / <sub>4</sub>	47238
3 <sup>1</sup> / <sub>2</sub>	1 <sup>5</sup> / <sub>16</sub>	200	1 <sup>9</sup> / <sub>16</sub>	-	3/8	-	-	400	21-3 <sup>1</sup> / <sub>2</sub> x 1 <sup>5</sup> / <sub>16</sub>	44216
4	1 <sup>5</sup> / <sub>16</sub>	115	1 <sup>5</sup> / <sub>32</sub>	-	5/16	-	-	EK, EP, EW, EY	4-4x 1 <sup>5</sup> / <sub>16</sub>	47200
	1 <sup>1</sup> / <sub>4</sub>	200	1 <sup>9</sup> / <sub>16</sub>	-	3/8	-	-	400	21-4x 1 <sup>1</sup> / <sub>4</sub>	47250
	1 <sup>5</sup> / <sub>16</sub>	225	1 <sup>15</sup> / <sub>16</sub>	1 <sup>1</sup> / <sub>16</sub>	7/16	5/8	7/16	100	21-4x 1 <sup>5</sup> / <sub>16</sub>	47244
	1 <sup>5</sup> / <sub>8</sub>	240	1 <sup>15</sup> / <sub>16</sub>	1 <sup>1</sup> / <sub>16</sub>	7/16	5/8	7/16	100	21-4Bx 1 <sup>5</sup> / <sub>8</sub>	47269
5	1 <sup>5</sup> / <sub>16</sub>	125	1 <sup>5</sup> / <sub>32</sub>	-	5/16	-	-	EK, EP, EY	4-5x 1 <sup>5</sup> / <sub>16</sub>	47218
	1 <sup>1</sup> / <sub>4</sub>	200	1 <sup>9</sup> / <sub>16</sub>	-	3/8	-	-	400, K, G	21-5x 1 <sup>1</sup> / <sub>4</sub>	47259





# HARD RUBBER

## Rockite®

Load Capacity 100-420 Lbs. Each Wheel



Hard-rubber molded composition. It combines many desirable characteristics: high-load rating, good mobility, high-impact resistance, and good floor protection. Temperature operating range is -40°F to 158°F. Durometer is 75D.

Wheel Dia. (In.)	Tread Width (In.)	Load Rating (Lbs.)	Hub Length (In.)	Axle Size				Use With Swivel Caster Series	Plain Bearing Desc.	Order No.
				Without Roller Bearing	Plain Bearing	With Bearing, No Spanner	With Bearing and Spanner			
2	1	150	1 <sup>1</sup> / <sub>64</sub>	-	1/4	-	-	100	27-2x1	47329
2½	1½	200	1 <sup>3</sup> / <sub>8</sub>	-	5/16	-	-	100, 400	27-2½x1½	47330
3	1 <sup>13</sup> / <sub>16</sub>	100	1 <sup>1</sup> / <sub>64</sub>	-	1/4	-	-	EP	7-3x1 <sup>13</sup> / <sub>16</sub>	47293
	1¼	270	1 <sup>9</sup> / <sub>16</sub>	1 <sup>11</sup> / <sub>16</sub>	3/8	-	-	100, 400	27-3x1¼	47336
3½	1 <sup>5</sup> / <sub>16</sub>	275	1 <sup>9</sup> / <sub>16</sub>	-	3/8	-	-	400	27-3½x1 <sup>5</sup> / <sub>16</sub>	43543
4	1 <sup>15</sup> / <sub>16</sub>	125	1 <sup>5</sup> / <sub>32</sub>	-	5/16	-	-	EP, EY	7-4x1 <sup>15</sup> / <sub>16</sub>	47316
	1¼	275	1 <sup>9</sup> / <sub>16</sub>	-	3/8	-	-	400	27-4x1¼	47346
	1 <sup>5</sup> / <sub>16</sub>	350	1 <sup>15</sup> / <sub>16</sub>	1 <sup>1</sup> / <sub>16</sub>	7/16	-	-	100	27-4x1 <sup>5</sup> / <sub>16</sub>	47341
	1 <sup>5</sup> / <sub>8</sub>	420	1 <sup>15</sup> / <sub>16</sub>	1 <sup>1</sup> / <sub>16</sub>	7/16	-	-	100	27-4Bx1 <sup>5</sup> / <sub>8</sub>	47372
5	1 <sup>15</sup> / <sub>16</sub>	135	1 <sup>5</sup> / <sub>32</sub>	-	5/16	-	-	EP, EY	7-5x1 <sup>15</sup> / <sub>16</sub>	47327
	1¼	300	1 <sup>9</sup> / <sub>16</sub>	-	3/8	-	-	400, G	27-5x1¼	47347

WHEELS

**Plaskite®**

Load Capacity 300-3,500 Lbs. Each Wheel

Phenolic compound reinforced with macerated fabric makes a high-strength, high-impact wheel resistant to oil, gasoline, even dilute acids. Compression-molded under extreme pressure, these wheels gain a dense, uniform consistency. Phenolic wheels are non-marking, non-conductive, and spark-proof. They are available with plain or roller bearings. Will not warp or swell in a temperature operating range of -40°F to +300°F. Durometer is 75D.



**WHEELS**

Wheel Dia. (In.)	Tread Width (In.)	Load Rating (Lbs.)	Hub Length (In.)	Axle Size				Use With Swivel Caster Series	Plain Bearing Desc.	Order No.	Roller Bearing Desc.	Order No.
				Without Roller Bearing	Plain Bearing	With Bearing, No Spanner	With Bearing and Spanner					
3	1¼	300	1⅙	-	⅜	-	-	100	30-3x1¼	43838	-	-
		300	1⅙	1⅙	-	½	⅜	100	-	-	31-3x1¼	37627
4	1½	500	1⅕	1⅙	-	⅝	⅞	100	-	-	31-4x1⅝	37630
	2	800	2⅜	1⅜	¾	-	-	1400, H, HX, KP	30-4x2	37629	-	-
		800	2⅜	1⅜	-	¾	½	1400, H, HX, KP	-	-	31-4x2	37636
5	2	1000	2⅜	-	¾	-	-	1400, H, HX, KP	30-5x2	37638	-	-
		1000	2⅜	1⅜	-	¾	½	1400, H, HX, KP	-	-	31-5x2	37639
6	2	1200	2⅜	-	¾	-	-	1400, H, HX, KP	30-6x2	37641	-	-
		1200	2⅜	1⅜	-	¾	½	1400, H, HX, KP	-	-	31-6x2	37637
	2½	1600	2¾	1⅜	-	¾	½	H	-	-	31-6Hx2½	37807
		1600	3¼	1⅜	-	1	¾	1400, HX, KP	-	-	31-6x2½	37816
	3	3000	3¼	1⅕	-	1	¾	1400, HX, KP	-	-	31-6x3	37820
8	2	1400	2⅜	1⅜	-	¾	½	1400, H, HX, KP	-	-	31-8x2	37643
		2000	2¾	1⅜	-	¾	½	H	-	-	31-8Hx2½	37808
		2000	3¼	1⅕	-	1	¾	HX, KP	-	-	31-8x2½	37817
	3	2500	3¼	1⅕	-	1	¾	HX, KP	-	-	31-8x3	37821
10	3	2900	3¼	1⅕	-	1	¾	HX, KP	-	-	31-10x3	37822
12	2½	3000	3¼	1⅕	-	1	¾	HX, KP	-	-	31-12x2½	37819
	3	3500	3¼	1⅕	-	1	¾	HX, KP	-	-	31-12x3	37823

**Bearing Options**



**Steel Caged Roller**



**Delrin**

Note: Hi-Temp version is available with a operating range of 480° continuous, 530° intermittent.

Please see Page 68, RT Wheels, for further high temperature options. If spanner required, order separately.

## What Type of Wheel Bearings Do You Use?



1. **Self-Lubricating:** The self-lubricating bearing is an iron base powdered metal bushing press fitted into the wheel core. The powdered iron is porous and is impregnated with oil so that with use, oil is leaked out to lubricate the axle.



2. **Roller Bearing:** (fig 2A) Normally this is a two-piece bearing, consisting of a roller assembly and a hardened outer race. The split-sleeve bearing (fig 2B) consists of an outer raceway of hardened spring steel with a hardened roller and cage assembly. A full caged bearing assembly (fig 2A) consists of a fully encased outer raceway with a hardened roller and cage assembly. All roller bearings operate in conjunction with a hardened shaft called a spanner.



3. **Tapered Roller Bearing:** The tapered roller precision bearing consists of a cup which is pressed into the wheel hub, and a cone and roller combination which fits integrally into the cup. The cup and core are hardened. The rollers are tilted to react to both thrust and radial loads. These bearings are suited for towline, high speed, and high load applications.



4. **Flanged Radial Ball Bearing:** This is a unique stamped construction that has a one-piece outer raceway, which is cold-rolled and formed to a close tolerance ball groove. The inner raceway is machined and hardened. The bearing is shielded and grease packed. These bearings will react to thrust loading and considerable radial load.



5. **Delrin Bearing:** Delrin is a registered trademark of Dupont; this is an acetal resin molded into a flange type bearing. The bearing is press fitted into the hub of the wheel and is rotated around a hardened spanner. This bearing has high mechanical strength, high impact, low static, and dynamic coefficients of friction, with a wide use temperature range (-40° to +230°F).



6. **Radial Bearing:** This type of sealed precision bearing consists of a hardened outer raceway and inner raceway, separated by a concentric ring of hardened steel balls. This bearing is used in pairs and is usually press fitted into a deep pocket of a wheel that has high load and high speed capabilities. This type of bearing is primarily used to carry radial loads only.

7. **Plain Bearing:** (Not Shown) In a plain bearing, the hub material is actually the bearing. The wheel rotates on a steel axle and is the most economical bearing application.

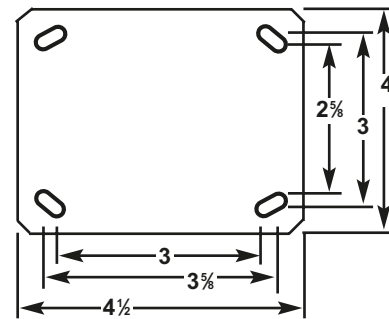
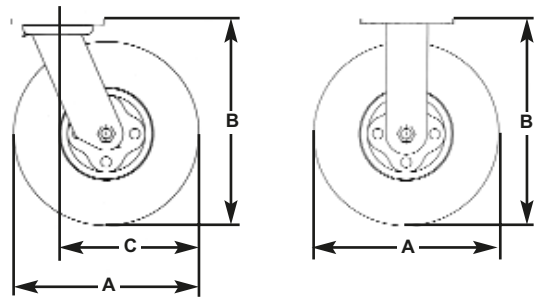
## Air Faultless Casters

Load Capacity 310-450 Lbs. Each Caster

Air Faultless pneumatic wheel casters are designed to absorb shock and vibration caused by floor obstructions or outdoor terrain. Moves delicate industrial loads smoothly and safely over rough bumpy surfaces.



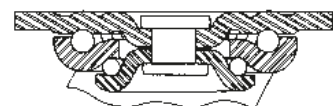
- **Cold Forged Construction** — 3/16" formed steel legs are double welded for added strength under maximum load. Thick 1/4" steel top plate
- **Double Ball Bearing Swivel** — Large diameter main load bearing and thrust bearing assures easy maneuvering under heavy loads
- **4-Ply Tires** — Standard on all wheel sizes provide longer wheel life and fewer repairs
- **Heavy-Duty Steel Hub** — Bolted for extra durability. Ball bearings offer maximum mobility
- **Lube Fittings** — Provided for swivel bearings
- **Finish** — Corrosion-resistant zinc
- **Wheel Tread** — Sawtooth tread design is standard.



Wheel Dia. (In.)	Tire Size	Wheel Bearing	Load Rating (Lbs.)	Swivel Caster Desc.	Order No.	Rigid Caster Desc.	Order No.
<b>8</b>	2.80/2.50-4	Ball	310	I1419-8 Blk	46110	I3419-8 Blk	46111
	2.80/2.50-4	Ball	310	I1419-8 Gray	46089	I3419-8 Gray	46088
	2.80/2.50-4	Ball	310	I1419-8 Gray/Brk	46085	-	-
	2.80/2.50-4	Ball	310	I1419-8 Black/Brk	48368	-	-
<b>10</b>	4.10/3.50-6	Ball	350	I1419-10 Blk	46112	I3419-10 Blk	46113
	4.10/3.50-6	Ball	350	I1419-10 Gray	46090	I3419-10 Gray	46093
<b>12</b>	4.10/3.50-6	Ball	450	I1419-12 Blk	46114	I3419-12 Blk	46115
	4.10/3.50-6	Ball	450	I1419-12 Gray	46091	I3419-12 Gray	46094

Wheel Diameter (A)	8"	10"	12"
Overall Height (B)	9 <sup>15</sup> / <sub>16</sub> "	12"	15"
Swivel Radius (C)	6 <sup>3</sup> / <sub>4</sub> "	8 <sup>5</sup> / <sub>16</sub> "	10 <sup>1</sup> / <sub>4</sub> "

Mounting Bolt Diameter — 3/8"  
Axle Size — 1/2"



NOTE: Double ball raceway



# SCAFFOLD CASTERS



IC1400 Series

## IC1400 Series

Load Capacity 500 Lbs. Each Caster

- **Brake Lever Arm** — Hand or foot operated, remains in “up” position when brake is off
- **Serrated Upper Brake Shoe** — Engages with serrated swivel plate
- **Serrated Lower Brake Shoe** — Simultaneously engages wheel for dual braking action of wheel and swivel
- **Lubrication Fittings** — Ensures long life for both wheel and swivel
- **Vulcanized Rubber Tread** — improves durability and adds smoothness to movement
- **Horn Side Members** — Formed steel that is welded to cold formed steel upper raceway
- **Upper Raceway** — 5/16” diameter hardened ball bearings
- **Lower Raceway** — 1/4” diameter hardened ball bearings
- **Stem Options Available** — Versatility in mounting
- **Corrosion-resistant** zinc finish

Wheel Dia.(In.) (A)	Tread Width (In.)	Wheel Material	Wheel Bearing	Axle Size (In.)	Load Rating (Lbs.)	Overall Height (B) (In.)	Swivel Radius (C) (In.)	Swivel Caster Desc.	Order No.
8	2	Mold-on Rubber	Roller	1/2	500	9 1/2	5 7/8	IC1418-8-18	26956
		Mold-on Rubber	Roller	1/2	500	9 1/2	5 7/8	IC1418-8-19	26959

## CF1400 Series

Load Capacity 750 Lbs. Each Caster



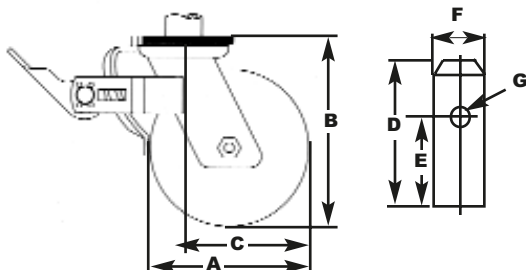
CF1400 Series

Additional features for CF1400 Series

- **HEAVY DUTY FORGED TOP PLATE** — Integrally Forged Stem & King Pin
- **Forged Secondary Raceway**
- **Fully Covered Raceways**
- **Positive Directional Locking** - each caster CNC Machine Knurled locks the swivel head fully
- **5/8” Kingpin** — Secured with a lock nut
- **Formed Fork Legs** — Robotically Welded Inside & Outside
- **1/2” Wheel Axle**
- **High Quality Resilient Mold-on Rubber Wheels** — highly resistant to cracking & bonding
- **Combined Wheel Brake & Swivel Lock** — Is the Best in the Industry

Wheel Dia.(In.) (A)	Tread Width (In.)	Wheel Material	Wheel Bearing	Axle Size (In.)	Load Rating (Lbs.)	Overall Height (B) (In.)	Swivel Radius (C) (In.)	Swivel Caster Desc.	Order No.
8	2	Mold-on Rubber	Roller	1/2	750	9 1/2	5 7/8	CF1418-8-18	26952
		Mold-on Rubber	Roller	1/2	750	9 1/2	5 7/8	CF1418-8-19	26946

Caster Specifications apply to both scaffold caster series. (IC1400 & CF1400)



Wheel Diameter (A)	8”
Overall Height (B)	9 1/2”
Swivel Radius (C)	5 7/8”

Stem No.	D	E	F	G
No. 18 Stem	4”	2 1/2”	1 3/8”	25/64”
No. 19 Stem	4”	2 1/2”	1 7/16”	31/64”

NOTE: Other finishes, sizes and stem options available contact factory for price and availability.

SPECIALTY CASTERS

## Airline/Conveyor Casters

Load Capacity 375 Lbs. Each Caster

### Precision, Heavy Duty Air Cargo/Conveyor Caster

Designed for inverted applications, these Faultless conveyor casters are designed for easy installation and replacement in the field. Special dust-and-grease cap and special all-temperature lubricant are standard, along with precision bearing swivel and needle bearing wheels. Corrosive-resistant zinc dichromate finish is standard.

- **Special Top Plates** - For specific installation requirements
- **Raceways** - Fully sealed raceways for low maintenance and protection of the swivel head in outdoor environments
- **Swivel Bearings** - Precision bearing swivel
- **Wheel Bearings** - Needle bearings; thread guards standard
- **Finish** - Corrosion-resistant zinc dichromate
- **Suggested Temperature Range** -20°F — +180°F



P2461-2-3/4 RTG  
Order #27013  
(Diamond Top Plate)



P2461-2-5/8 TG  
Order #26025  
(Rectangle Top Plate)



P2461-2-5/8 TG  
Order #26028  
(Diamond Special Top Plate)

Wheel Diameter	Tread Width (In.)	Wheel Type	Wheel Bearing	Axle Size (In.)	Load Capacity (Lbs.)	Overall Height (In.)	Swivel Radius (In.)	Mounting Bolt Dia. (In.)	Order No.	Top Plate
2 $\frac{3}{4}$	1 $\frac{3}{8}$	Polyflex	Needle	$\frac{3}{8}$	375	4 $\frac{1}{32}$	2 $\frac{3}{16}$	$\frac{5}{16}$	27013	A

\*Gray Polyflex Wheel

Wheel Diameter	Tread Width (In.)	Wheel Type	Wheel Bearing	Axle Size (In.)	Load Capacity (Lbs.)	Overall Height (In.)	Swivel Radius (In.)	Mounting Bolt Dia. (In.)	Order No.	Top Plate
2 $\frac{5}{8}$	1 $\frac{3}{8}$	Polyflex	Needle	$\frac{3}{8}$	375	3 $\frac{25}{32}$	2 $\frac{5}{16}$	$\frac{5}{16}$ & $\frac{3}{8}$	26025	B

\*Tan Polyflex Wheel

Wheel Diameter	Tread Width (In.)	Wheel Type	Wheel Bearing	Axle Size (In.)	Load Capacity (Lbs.)	Overall Height (In.)	Swivel Radius (In.)	Mounting Bolt Dia. (In.)	Order No.	Top Plate
2 $\frac{5}{8}$	1 $\frac{3}{8}$	Polyflex	Needle	$\frac{3}{8}$	375	3 $\frac{25}{32}$	2 $\frac{5}{16}$	$\frac{5}{16}$ & $\frac{3}{8}$	26028	C

\*Tan Polyflex Wheel



**Flanged Air Cargo/Conveyor Caster**

Load Capacity 270-375 Lbs. Each Caster

This caster has all the features as the precision, heavy duty air cargo/conveyor caster plus the added benefit of a toe protection flange safety feature.

Wheel Diameter	Tread Width (In.)	Wheel Type	Wheel Bearing	Axle Size (In.)	Load Capacity (Lbs.)	Overall Height (In.)	Swivel Radius (In.)	Mounting Bolt Dia. (In.)	Swivel Caster Desc.	Order No.	Top Plate
2 <sup>3</sup> / <sub>4</sub>	1 <sup>3</sup> / <sub>8</sub>	Polyflex	Needle	3/8	375	4 <sup>1</sup> / <sub>32</sub>	2 <sup>13</sup> / <sub>16</sub>	5/16	PF2461-2 <sup>3</sup> / <sub>4</sub> RTG	26382*	A
2 <sup>5</sup> / <sub>8</sub>	1 <sup>3</sup> / <sub>8</sub>	Polyflex	Needle	3/8	375	3 <sup>25</sup> / <sub>32</sub>	2 <sup>7</sup> / <sub>16</sub>	5/16 & 3/8	PF2461-2 <sup>5</sup> / <sub>8</sub> TG	26022**	B

\*1st Wheel Gray Polyflex, \*\*2nd Wheel Tan Polyflex

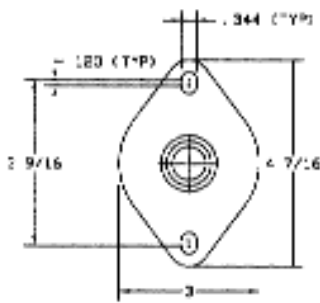
**Standard Line Conveyor Casters**

Load Capacity 270-375 Lbs. Each Caster

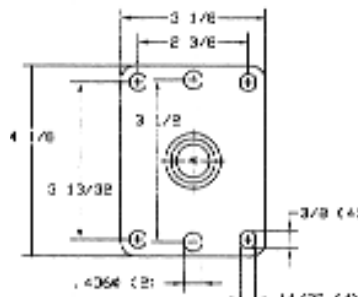


The standard-line conveyor casters share some of the same features as the other two lines. The primary difference is a double ball bearing raceway compared to the sealed precision bearing swivel. Wheel materials available include: Rockite, Polyflex, and Plaskite. Rockite is a hard rubber molded composition throughout; this wheel is impervious to oils and greases, has a high load capacity and good mobility. Polyolefin (Polyflex) wheel is light in weight, low in cost, and high in impact strength. It resists water and chemical absorption and withstands steam cleaning. The Plaskite wheel is a phenolic compound reinforced with macerated fabric that results in a high-strength, high impact wheel resistant to oil, gasoline, even dilute acids.

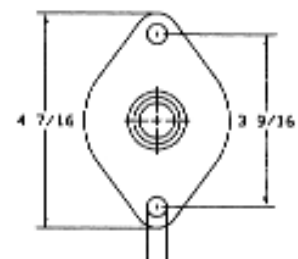
Wheel Diameter	Tread Width (In.)	Wheel Type	Wheel Bearing	Axle Size (In.)	Load Capacity (Lbs.)	Overall Height (In.)	Swivel Radius (In.)	Mounting Bolt Dia. (In.)	Swivel Caster Desc.	Order No.	Top Plate
3	1 <sup>1</sup> / <sub>8</sub>	Hard Rubber	Ball	5/16	270	3 <sup>25</sup> / <sub>32</sub>	2 <sup>5</sup> / <sub>8</sub>	3/8	429-3x1 <sup>1</sup> / <sub>8</sub> TG	25526	C
	1 <sup>5</sup> / <sub>16</sub>	Polyflex	Ball	5/16	270	3 <sup>25</sup> / <sub>32</sub>	2 <sup>5</sup> / <sub>8</sub>	3/8	461-3x1 <sup>5</sup> / <sub>16</sub> TG	25675	C
		Phenolic	Ball	5/16	300	4 <sup>1</sup> / <sub>32</sub>	2 <sup>15</sup> / <sub>32</sub>	3/8	331-3x1 <sup>5</sup> / <sub>16</sub> TG	25278	C
		Polyflex	Ball	5/16	300	4 <sup>1</sup> / <sub>32</sub>	2 <sup>15</sup> / <sub>32</sub>	3/8	H461-3x1 <sup>5</sup> / <sub>16</sub> TG	25696	C



**A**



**B**



**C**

# LOW PROFILE MEDIUM HEAVY DUTY CASTERS



SPECIALTY CASTERS

## Business Machine Casters

Load Capacity 200-1,200 Lbs. Each Caster

Made to support and move heavy office equipment where overall height is a limiting factor. Ideal for use on copiers, computers, large printers, and other heavy diagnostic equipment.

- **High Load Rating Capacities**
- **Low Overall Height**
- **Excellent Floor and Carpet Protection**
- **Brakes** — Optional thumb screw brake and side brake available on some items. Contact factory for availability.
- **Finishes** — Black oxide with corrosion-resistant zinc top plate or all zinc finish



HX1435-3x1<sup>1</sup>/<sub>16</sub>



HXEP629R



HA435-3x1<sup>13</sup>/<sub>16</sub>



335-3x1<sup>13</sup>/<sub>16</sub>

Wheel Dia. (In.)	Tread Width (In.)	Wheel Material	Wheel Bearing	Axle Size (In.)	Load Rating (Lbs.)	Overall Height (In.)	Swivel Radius (In.)	Mounting Bolt Dia. (In.)	Bolt Hole Spacing (In.)	Overall Top Plate Size (In.)	Swivel Caster Desc.	Order No.
2	1 <sup>3</sup> / <sub>16</sub>	Hard Rubber	Roller	5/16	275	2 <sup>27</sup> / <sub>32</sub>	2 1/16	5/16	1 3/4 x 2 7/8 to 3	2 9/16 x 3 5/8	EP729-2R**BM	29945
	1 <sup>11</sup> / <sub>16</sub>	Polypropylene	Plain	5/16	300	2 <sup>27</sup> / <sub>32</sub>	2 1/16	5/16	1 3/4 x 2 7/8 to 3	2 9/16 x 3 5/8	HXEP629R BM	31151
2 5/8	1 1/2	Phenolic	Roller	7/16	240	3 5/16	2 7/16	N/A	1/2-13x1 1/2***	N/A	G431-2 5/8*	25607
2 1/2	1 1/8	Hard Rubber	Plain	5/16	200	3 3/16	2 3/16	5/16	1 3/4 x 3	2 3/4 x 3 7/16	127-2 1/2*	25128
	1 3/4	Polypropylene	Roller	7/16	400	3 1/2	2 1/8	5/16	1 3/4 x 2 7/8 to 3	2 9/16 x 3 5/8	H461-2 1/2R BM	25673
3	1 13/16	Glass Filled Nylon	Roller	7/16	700	4 5/16	2 1/2	3/8	2 5/8 x 3 5/8 to 3x3	3 3/4 x 4 5/8	935-3 x 1 13/16*	26220
		Glass Filled Nylon	Roller	7/16	700	3 31/32	2 1/16	5/16	2 3/8 x 3 3/8	3 1/8 x 4 1/8	335-3 x 1 13/16*	25294
		Glass Filled Nylon	Roller	7/16	1000	3 31/32	2 7/16	5/16	2 3/8 x 3 3/8	3 1/8 x 4 1/8	H335-3 x 1 13/16*	25295
		Glass Filled Nylon	Roller	7/16	700	3 31/32	2 7/16	5/16	2 3/8 x 3 3/8	3 1/8 x 4 1/8	335-3 x 1 13/16 BM	25283
		Glass Filled Nylon	Roller	7/16	1000	3 31/32	2 5/16	5/16	2 3/8 x 3 3/8	3 1/8 x 4 1/8	H335-3 x 1 13/16 BM	25284
		Glass Filled Nylon	Roller	3/8	500	3 31/32	2 5/16	5/16	2 3/8 x 3 13/32	3 1/8 x 4 1/8	HA435-3 x 1 13/16 BM	25330
		Polypropylene	Plain	3/8	550	3 31/32	2 5/16	5/16	2 3/8 x 3 13/32	3 1/8 x 4 1/8	HA360-3x1 13/16 RBM	25300
		Glass Filled Nylon	Roller	1/2	1000	4 5/32	2 3/8	5/16	2 3/8 x 3 3/8	3 5/16 x 4 1/8	HX1435-3x1 13/16*	26341
		Glass Filled Nylon	Roller	1/2	1200	4 5/32	2 3/8	5/16	2 3/8 x 3 3/8	3 5/16 x 4 1/8	HX1435H3x1 13/16 BM	26973

NOTE: Contact factory for rigid options available.  
Options: Wheel Face Brake (add WFB Suffix - Ex: 335-3WFB)

\*Zinc finish  
\*\*Dual wheels

### Wheel Options

\*\*\* 1/2-13 X 1 1/2 Threaded Stem



Glass Filled Nylon



Polypropylene



Hard Rubber





# SHOCK ABSORBING CASTERS

## SHX 1400

Load Capacity 350-1600 Lbs. Each Caster



- **Shock Absorbing** — Patented shock absorbing system utilizing pre-torqued elastomers with a weight sensitive pivot mechanism
- **Low Profile** — 3" diameter wheel size
- **Finish** — Corrosion-resistant Black oxide standard finish, corrosion-resistant zinc optional
- **Wheels** — Glass filled nylon with roller bearing standard

The SHX 1400 Series specialty casters are designed to provide added protection when moving sensitive payloads, such as business machines or test equipment.

This SHX series has passed extensive laboratory testing to simulate a wide variety of impacts and vibrations that may occur during transportation.

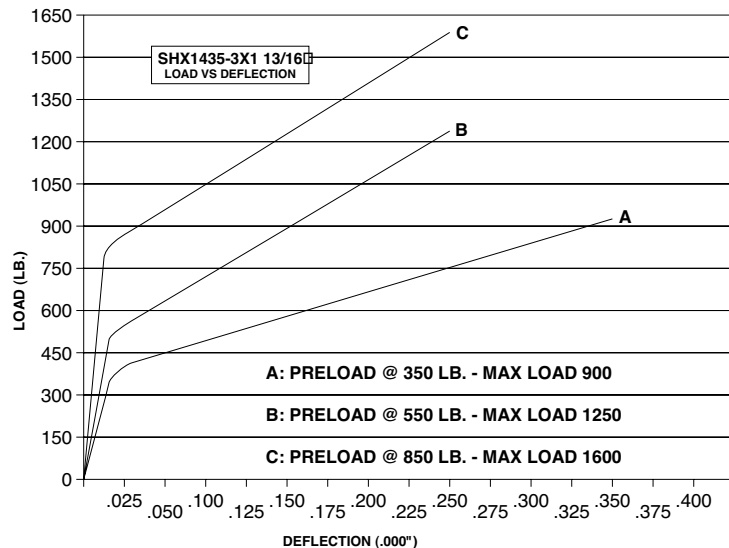
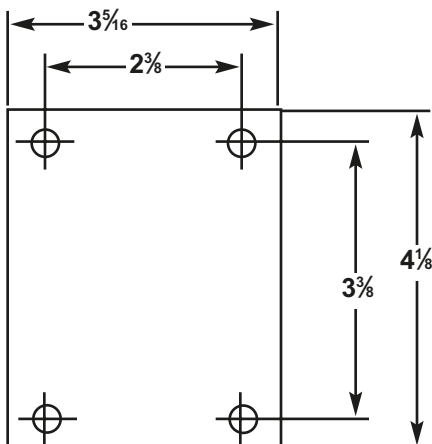
As shocks occur or loads temporarily exceed capacity, the shock absorbing mechanism activates and protects sensitive loads. This caster line is ideal for heavy loads requiring compact space allotments.

Wheel Dia. (In.)	Tread Width (In.)	Overall Height (In.)	Swivel Offset (In.)	Swivel Radius (In.)	Maximum Load (Lbs.)	Pre-Loaded (Lbs.)	Swivel Caster Desc.	Order No.
3	1 <sup>13</sup> / <sub>16</sub>	4 <sup>21</sup> / <sub>32</sub>	1 <sup>3</sup> / <sub>16</sub>	2 <sup>7</sup> / <sub>16</sub>	900 with .350" Total Height Deflection	350	SHX1435-3x1 <sup>13</sup> / <sub>16</sub>	26328
		4 <sup>21</sup> / <sub>32</sub>	1 <sup>3</sup> / <sub>16</sub>	2 <sup>7</sup> / <sub>16</sub>	1250 with .250" Total Height Deflection	550	SHX1435-3x1 <sup>13</sup> / <sub>16</sub>	26329
		4 <sup>21</sup> / <sub>32</sub>	1 <sup>3</sup> / <sub>16</sub>	2 <sup>7</sup> / <sub>16</sub>	1600 with .250" Total Height Deflection	850	SHX1435-3x1 <sup>13</sup> / <sub>16</sub>	26334

OPTIONS: Swivel locking system, wheel brakes, variety of load ratings.

NOTE: All SHX Product are produced to custom order. Consult your distributor or factory for availability.

Mounting Bolt Dia. — 5/16"  
Axle Size — 1/2"



SPECIALTY CASTERS

## Shock Absorbing for Sensitive Loads

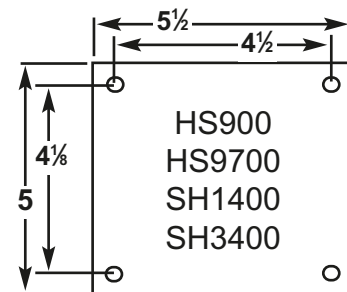
Load Capacity 900-1,200 Lbs. Each Caster

Industrial Spring Action Casters are used for safe movement of calibrated instruments, delicately adjusted assemblies, tool boxes, and other load sensitive products.

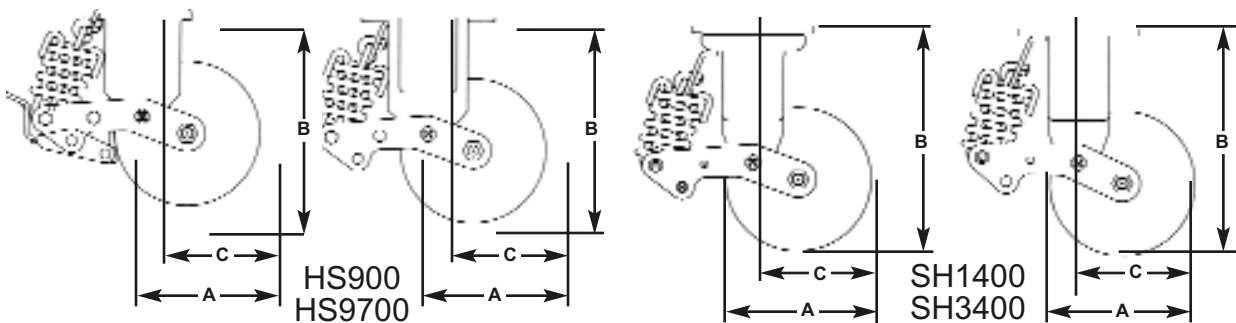


SH1435-6TGBRK

- **Double Action Spring** — Compression action absorbs the jolts and bumps caused by rough floors, thresholds, etc.
- **Spring and Draw Bars** — Durable, long lasting spring and draw bars are on center line of wheel to prevent offset of load
- **2-to-1 Lever Arm** — Helps reduce shock and lengthens spring life
- **Constant Contact** — Wheels contact floor surface at all times, eliminating bounce and keeping unit at a more constant level
- **Thread Guards** — Chrome Finish
- **Finish** — Black Epoxy



Wheel Dia.(In.) (A)	Tread Width (In.)	Wheel Material	Wheel Bearing	Load Rating (Lbs.)	Overall Height (B) (In.)	Swivel Radius (C) (In.)	Swivel Caster Desc.	Order No.	Rigid Caster Desc.	Order No.
6	2	RT	Roller	900	8 1/2	4 3/32	HS965W-6x2TGBrk	26059	HS9765W-6x2TG	27525
		Glass Filled Nylon	Roller	1200	9 1/16	4 3/32	SH1435-6x2TGBrk	26555	SH3435-6x2TG	26737
8	2	Super K	Precision	1500	10 3/8	6 7/16	SH1441B-8x2Brk	26245	SH3441B-8x2	27368
	2 1/2	Super K	Precision	2000	10 3/8	6 5/8	SH1441B-8x2-1/2Brk	26260	SH3441B-8x2-1/2	27369



Mounting Bolt Diameter — 3/8"



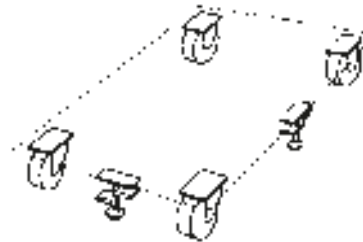
# FLOOR TRUCK LOCKS

## Floor Truck Locks

A Faultless Floor Truck Lock safely immobilizes truck movement while loading or unloading. (It's not a jack.) Simply step down to lock, step again to unlock.



- **Minimum Foot Pressure** — 60 ft. lbs. to set against a 400 lb. load
- **Release Foot Pressure** — Only 10 ft. lbs.
- **Construction** — Non-skid pedals, pressed steel construction
- **Top Plate Mounting** — Identical to the 1400 Series
- **Foot Pad** — Large 3" Vulcanized Rubber foot pad is skid resistant
- **Finish** — Corrosion-resistant zinc



Matching Wheel Dia. (In.)	Overall Extended Height (In.)	Retracted Brake Disc Clearance (In.)	Top Plate (In.)	Mounting Hole Spacing (In.)	Use With Caster Series	Lock Desc.	Order No.
4	5 <sup>5</sup> / <sub>8</sub>	1 <sup>1</sup> / <sub>4</sub>	3 <sup>3</sup> / <sub>4</sub> x4 <sup>5</sup> / <sub>8</sub>	2 <sup>5</sup> / <sub>8</sub> x3 <sup>5</sup> / <sub>8</sub> to 3x3	1400	FTL46	27542
5	6 <sup>5</sup> / <sub>8</sub>	1 <sup>1</sup> / <sub>4</sub>	3 <sup>3</sup> / <sub>4</sub> x4 <sup>5</sup> / <sub>8</sub>	2 <sup>5</sup> / <sub>8</sub> x3 <sup>5</sup> / <sub>8</sub> to 3x3	1400	FTL56	27543
6	7 <sup>1</sup> / <sub>2</sub>	1 <sup>1</sup> / <sub>4</sub>	3 <sup>3</sup> / <sub>4</sub> x4 <sup>5</sup> / <sub>8</sub>	2 <sup>5</sup> / <sub>8</sub> x3 <sup>5</sup> / <sub>8</sub> to 3x3	1400	FTL64	27546
8	9 <sup>1</sup> / <sub>2</sub>	1 <sup>5</sup> / <sub>8</sub>	3 <sup>3</sup> / <sub>4</sub> x4 <sup>5</sup> / <sub>8</sub>	2 <sup>5</sup> / <sub>8</sub> x3 <sup>5</sup> / <sub>8</sub> to 3x3	1400, H	FTL89	27549

Mounting Bolt Dia. — 3/8"

SPECIALTY PRODUCTS

## Mover's Deluxe Dolly

Load Capacity 800-1,000 Lbs.

Our premium dolly for the professional mover

- Thick rubber end pad has "pebble grain" non-slip surface
- Raised lip around pad protects walls, doors, and other objects
- Solid 1" hardwood frame adds strength and durability
- 5/8" bolt and nut fasteners hold frame securely together
- Heavy-duty casters move easily under the heaviest loads
- Hard or soft rubber wheels and thread guards are standard
- May be shipped UPS



Size(In.)	Wheel Material	Wheel Size (In.)	Load Capacity (Lbs.)	Desc.	Order No.
18"x30"	Soft Rubber	4	800	R1830-A4214TG	27681
18"x30"	Hard Rubber	4	1000	R1830-A4274TG	27672

## Mover's Special Dolly

Load Capacity 900-1,000 Lbs.

For those who demand quality at economical prices

- Thick jute carpeted ends protect furniture against scratches or marring
- Extra wide 6" end rails give added support under heavy loads
- Solid 3/4" kiln-dried hardwood frame provides strength and long life
- Shaped inside edge for easy handling
- Heavy-duty casters permit swift, easy movement of big loads
- Non-marking hard rubber wheels are standard
- May be shipped UPS



Size(In.)	Wheel Material	Wheel Size (In.)	Load Capacity (Lbs.)	Desc.	Order No.
18" x 30"	Hard Rubber	3	900	C1830-1273BN	27677
18" x 30"	Hard Rubber	4	1000	C1830-A4274BN	27680

## **The Industry's Most Complete Resource for Material Handling Products**

Casters, wheels, hand trucks, platform trucks, dollies, jacks and skids, freight prys, barrel handling equipment, trailers, towline trucks - all of these and more are manufactured and sold by the Faultless-Nutting Division.

Since 1891, the Nutting name has stood for quality in design and function. Our products meet the most demanding applications and are both competitively priced and built to last.

We maintain complete manufacturing and product testing facilities in our more than 100,000 square foot home office. If you can't find what you need in our standard product line, then our custom design and engineering department will work with you in customizing products to fit your needs.

Our customer service and regional sales people are qualified and willing to provide assistance to distributors, dealers, and major industries nationwide. Whatever your material handling equipment needs may be, Faultless-Nutting can handle it!

Faultless-Nutting Division  
505 West Airport Drive  
Watertown, SD 57201  
**(800) 533-0337**





Hand Trucks



Platform Trucks



Narrow Aisle Stock Trucks



Wagon Trucks



Shelf Carts

## Standard Products

Faultless-Nutting offers one of the broadest ranges of standard non-powered material handling equipment in the industry. You will find Nutting equipment being used in nearly every major industry in the U.S. These products are quality built and designed to perform within the rigorous demands and abuses of today's industrial environment.

The name Nutting has become synonymous with quality and durability. Our products have been ergonomically designed for ease-of-use and constructed with high quality materials and dedicated craftsmanship to ensure that these products will last for years to come. Some of the products we offer include casters, wheels, two-wheel hand trucks, four-wheel platform trucks (wood, steel, and aluminum), shelf carts, freight prys, skids and jacks, dollies, wagon trucks, barrel handling equipment, rug poles, sheet rock dollies, and work platforms for fork lifts.

For more information on our products and services, call **(800) 533-0337**.



## Custom Products

In today's world of high technology and specialization, there are unique material handling applications that require products to perform in unconventional ways. At Faultless-Nutting, we've established a Custom Products Division specifically designed to help you through the process of product customization. Our CAD-based design group can work with you to discuss design, performance, and equipment options, along with providing written proposals and quote sketches when needed.

Custom product opportunities are frequently part of a larger project, requiring smooth integration with other equipment and timely delivery for start-up. We have the design, scheduling, tracking, and production capabilities to ensure that your project is kept on track and the products delivered on time. We can design and build products with capacities up to 250,000 pounds, while offering the widest variety of steering arrangements, wheels, couplers, and superstructures.

Faultless-Nutting is the best choice for your custom product. For more information on our customization services, call **(800)533-0337**.



Cradle Deck Trailers



Multi-Purpose Trailers



Cage Carts



Specialty Superstructures



Order Picking Carts



367	H	32	C	125	B	Z	PF
HOUSING SERIES	BRAKE SYSTEM	WHEEL SERIES	WHEEL BEARING TYPES	WHEEL DIAMETER	TREAD-WHEEL MATERIAL	CASTER FINISH	MOUNTING INSTALLATION TYPES
"300-399, 600" Institutional and Medical Light-Duty Industrial Casters Load Capacity to 220lbs.	"A" Without Brake	"OO" Solid Nylon	"C" Formed Cup and Cone Bearings	Two Inch (50mm) Through Eight Inch (200mm) Diameter Available	"A" Conductive, Black	"C" Chrome	Top Plate Specify either "PB, PC, PD, PF, PK
	"B" Wheel Brake	29" Polyurethane & TPR	"G" Plain Bearings		"B" Grey, Non-Marking		Threaded Stem "GC, GD, GU" Specify Diameter Threads and Length
	"H" Total Lock: Combination Swivel Locks & Wheel Brakes				"K" Composite Nylon	"C" Black	Bolt Hole Fitting "LC"=3/8" Dia. "LD"=7/16" Dia. "LU"=1/2" Dia.
	"R" Steering or Directional Swivel Locks	"35" Polyurethane	"K" Precision Ball Bearings			"P" Nylon, White	"Z" Zinc plated
"400-499" Medium-Duty Industrial Casters Load Capacity to 1300lbs.	"Q, R" Wheel, Swivel & Directional Locks for Central Locking System Casters	"30, 32" Steel Discs	"R" Roller Bearings		"R" Thermo-plastic Rubber	"V" Polyurethane	
					"W" Extra-Soft Grey Rubber		
		"X" Nylon, Black					
		"14, 33, Nylon, Plastic Mold-Ons					



**Series 340/345/341/346**

**Load Capacity 90-145 Lbs.**



#341H...

**Product Features:**

- Large Double Ball Bearing Raceway
- Sturdy, Resistant to corrosion
- Large Selection of mounting and wheel options
- Standard Zinc Chromatized Finish & others optional
- Nut and Bolt axle, standard with cup/cone bearings
- Riveted axle, standard with plain bore wheels and 50mm/2" casters

**Brakes/Locks**

All brakes are trailing style (brake lever over the wheel)  
 340B Plastic red coated "wheel brake" - 2"  
 341H Plastic black "total lock brake" - 3" & 4"

**Wheels**

	Diameter	Profile	Bearings	Tread	Durometer	Threadguards
00G/x	2" - 4" 50 mm - 100 mm	Flat	Plain Bore	Black Nylon	100	None
33G/b	2" - 4" 50 mm - 100 mm	Flat	Plain Bore	Grey Rubber	80	None
33C/b	2" - 3" 50 mm - 100 mm	Flat	Cup & Cone	Grey Rubber	80	Metal
30C/b	3" - 4" 75 mm - 100 mm	Flat	Cup & Cone	Grey Rubber	80	Metal
30C/a	3" - 4" 100 mm	Flat	Cup & Cone	Black Antistatic	80	Metal
34C/r	3" 75 mm	Round	Ball	Grey TPR	80	Plastic
34C/v	3" 75 mm	Round	Ball	Grey PU	95	Plastic

Nylon Wheels are resistant to gasoline, diesel oils, vegetable and animal fats.  
 Gray Rubber Wheels are non-marking to floors.



## Series 341/340/345/346

Load Capacity 90-145 Lbs.



#341H...



#346A...

CASTERS

Wheel Diameter (In.)	Tread Width (In.)	Wheel Material	Wheel Bearing	Load Rating (Lbs.)	Load Rating (Kg)	Swivel Caster	Rigid Caster	Total Lock Caster
2 (50 mm)	3/4 (18 mm)	Nylon/Black	Plain Bore	90	40	340a 00G050xZPB	345a 00G050xZPB	340b 00G050xZPB
		Rubber/Nylon	Plain Bore	90	40	340a 33G050bZPB	345a 33G050bZPB	340b 33G050bZPB
		Rubber/Nylon	Cup & Cone	90	40	340a 33C050bZPB	345a 33C050bZPB	340b 33C050bZPB
3 (75 mm)	3/4 (23 mm)	Nylon/Black	Plain Bore	110	50	341a 00G075xZPC	346a 00G075xZPC	341h 00G075xZPC
		Rubber/Nylon	Plain Bore	110	50	341a 33G075bZPC	346a 33G075bZPC	341h 33G075bZPC
		Rubber/Steel	Cup & Cone	110	50	341a 30C075BZPC	346a 30C075BZPC	341h 30C075BZPC
		TPR/Nylon	Ball	110	50	341a 34C075rZPC	346a 34C075rZPC	341h 34C075rZPC
		PU/Nylon	Ball	110	50	341a 34C075vZPC	346a 34C075vZPC	341h 34C075vZPC
		Rubber/Nylon	Cup & Cone	110	50	341a 33C075bZPC	346a 33C075bZPC	341h 33C075bZPC
4 (100 mm)	3/4 (23 mm)	Nylon/Black	Plain Bore	145	66	341a 00G100xZPC	346a 00G100xZPC	341h 00G100xZPC
		Rubber/Nylon	Plain Bore	145	66	341a 33G100bZPC	346a 33G100bZPC	341h 33G100bZPC
		Rubber/Steel	Cup & Cone	145	66	341a 30C100BZPC	346a 30C100BZPC	341h 30C100BZPC

### Specification

Diameter	2" (341) 50 mm	3" (341) 75 mm	4" (341) 100mm
Load Height	2.76" 70mm	4.06" 103 mm	4.88" 124 mm
Offset	.944" 24mm	1.44" 36 mm	1.45" 37 mm
Caster Weight	8.9 oz 250 gr	14.2 oz 403 gr	1 lb/5 oz 597 gr

Brakes: B= Wheel Brake

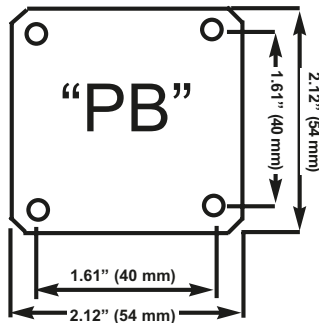
Bearings: G= Plain Bore

H= Total Lock

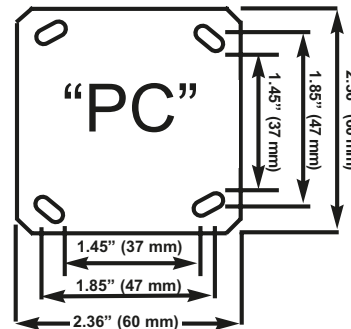
C= Cup & Cone

Axle Diameter: .236" - 6 mm  
.315" - 8 mm

### Plate Sizes:



PB - Top Plate only available for series 340/345



PC - Top Plate only available for series 341/346

Plate / Thick  
.0937"  
2.37 mm

**Series 340/345/341/346**

Load Capacity 90-145 Lbs.

**Hollow/Kingpin/Stem Mount**

(alter suffix "PB" or "PC" with one of the following options)

Part #	Mounting Style	Description
LC	Hollow Kingpin	.401" - fits 3/8 or 10 mm bolt
GC	Threaded metric stem	.393" x .984" 10 mm x 25 mm (stem pitch 1.5)
RO	Expansion Stem	10 mm x 25mm riveted bolt <i>See Chart for expansion ranges available</i>



**Expansion Hardware Fittings**

(alter suffix "PB" or "PC" with one of the following catalog # options)

EXPANSION STEM ADAPTERS		
ROUND TUBING		
Catalog #	Range (Inches)	RANGE (Metric)
R10	.547 - .582	13.9 - 14.8
R11	.586 - .622	14.9 - 15.8
R12	.625 - .661	15.9 - 16.8
R13	.665 - .700	16.9 - 17.8
R14	.704 - .740	17.9 - 18.8
R15	.744 - .779	18.9 - 19.8
R16	.783 - .858	19.9 - 21.8
R17	.862 - .897	21.9 - 22.8
R18	.901 - .937	22.9 - 23.8
R19	.940 - 1.01	23.9 - 25.8
R20	1.01 - 1.13	25.9 - 28.8
R21	1.13 - 1.25	28.9 - 32.0
SQUARE TUBING		
R22	.653 - .736	16.6 - 18.7
R23	.740 - .767	18.8 - 19.5
R24	.771 - .846	19.6 - 21.5
R25	.850 - .885	21.6 - 22.5
R26	.889 - .964	22.6 - 24.5
R27	.968 - 1.04	24.6 - 26.5
R28	1.04 - 1.12	26.6 - 28.5
R29	1.12 - 1.29	28.6 - 33.0

CASTERS



**Series 360/361**

Load Capacity 135-240 Lbs.

**Product Features:**

- Double Ball Bearing Raceway
- Use for low profile applications
- Increased Load Capacity / Mobility
- Easy movement over threshold / elevators
- Nut and Bolt axle



#361A...



#361B...

**Wheels**

	Diameter	Profile	Bearings	Tread	Durometer	Threadguards
30C/b	3" (75 mm)	Flat	Cup & Cone	Grey Rubber	80	Metal
33C/b	2" - 3" (50 - 75 mm)	Flat	Cup & Cone	Grey Rubber	80	Metal
33G/b	2" (50mm)	Flat	Plain Bore	Grey Rubber	80	None
34C/r	3" (75 mm)	Round	Ball	Grey TPR	80	Plastic

**CASTERS**

Wheel Diameter (In.)	Wheel Material	Wheel Bearing	Load Rating (Lbs.)	Load Rating (Kg)	Swivel Caster	Tread Width (mm)	Tread Width (inches)
2 (50 mm)	Rubber Grey/Nylon	Plain Bore	135	60	360a 33G050bZPC	2 x 18 mm	2 x 0.7"
	Rubber Grey/Nylon	Cup & Cone	135	60	360a 33C050bZPC	2 x 18 mm	2 x 0.7"
3 (75 mm)	Rubber Grey/Nylon	Cup & Cone	220	100	361a 33C075bZPF	2 x 23 mm	2 x 0.91"
	Rubber Grey/Steel	Cup & Cone	220	100	361a 30C075bZPF	2 x 23 mm	2 x 0.91"
	Polyurethane	Cup & Cone	240	120	361a 35C075vZPF	1 x 45 mm	1 x 1.77"
	TPR Grey/Nylon	Ball	180	80	361a 34C075rZPF	2 x 23 mm	2 x 0.91"
3 (75 mm)	<b>Airline Trolley Caster</b>						
	Rubber Grey	Freeway	220	100	361a 33C075pZPS	2 x 23 mm	2 x 0.91"
					361b 33C075pZPS		

\*\* Wheel Brake

\*361B Plunger style wheel brake available for airline food service carts. These special casters have Wheel series #33 rubber tire, freeway bearing, blue-gray on polypropylene center, with metal threadguards. Powder coated finish and aluminum styles available upon request. Minimum quantity required.

Note: The standard wheel treads on the airline casters are "ribbed." Smooth tread is optional. Threadguards are standard on airline wheels.



#361A...



#361B...

**Series 360/361**  
Load Capacity 135-240 Lbs.

**Specification**

	<b>360</b>	<b>361</b>	<b>Airline</b>
Diameter	2" 50 mm	3" 75 mm	3" 75 mm
Load Height	2.75" 70 mm	3.85" 98 mm	4" 102 mm
Offset	1.25" 32 mm	1.12" 28.5 mm	1.12" 28.5 mm
Caster Weight	12 oz. 340 gr.	1 lb/7 oz. 652 gr.	1 lb/10 oz. 737 gr.

**Hollow/Kingpin/Stem Mount**

(alter suffix "PB" or "PC" with one of the following options)

Part #	Mounting Style	Description
LD	Hollow Kingpin	.480" - fits 7/16" or 12 mm bolts
LU	Hollow Kingpin	.501" - fits 1/2" or 13 mm bolts
GU	Threaded Stem (riveted)	1/2" - 13x1" (stem pitch 1.95)
LC	Hollow Kingpin	.401" - fits 3/8" or 10 mm bolts

• Consult factory for other top fittings.

**Plate Sizes:**

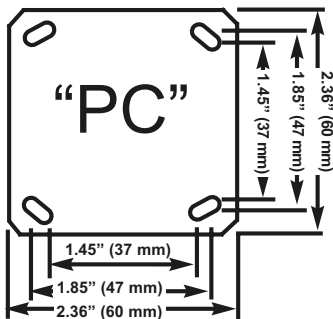


Plate / Thick  
.093"  
2.38 mm

**PC - Top Plate only available for series 360**

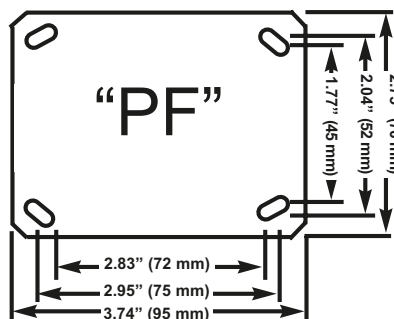


Plate / Thick  
.124"  
3.17 mm

**PF - Top Plate only available for series 361**

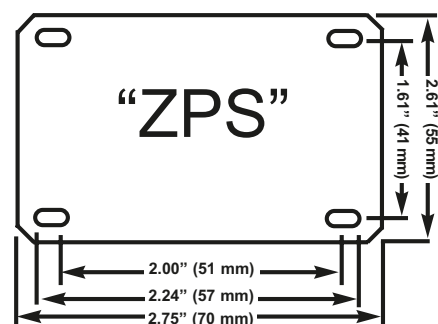


Plate / Thick  
.124"  
3.17 mm

**Airline Trolley Caster Top Plate**



## Series 600

Load Capacity 220 Lbs.

### Product Features:

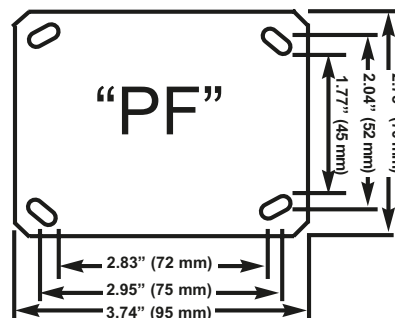
- Great for Medical/Hospital equipment; kitchen and catering carts
- Standard Color Gray; Colors Optional
- Non-corrosive; washable
- Free from non-soluble dirt to enter
- All steel fittings are galvanized;
  - \*Stainless Optional
- Easy to maneuver with precision ball bearing wheel

All Synthetics used have the following characteristics:

- High Strength & Hardness
- High Thermoform resistance
- High Impact Resistance chemicals
- Recyclable
- High Load Capacity
- Resistant against many

### Brakes/Locks:

- 600A Swivel Caster only
- 600H Trailing Total Lock Brake (Black Pedal Standard)
- 600R Directional Lock (Green Pedal Standard)



Mounting Hole Diameter: .354" - 9 mm  
Plate/Thick: .234" - 5.95 mm

CASTERS

Wheel Diameter (In.)	Tread Width (In.)	Wheel Material	Wheel Bearing	Load Rating (Lbs.)	Load Rating (Kg)	Swivel Caster	Total Lock Caster	Directional Lock Caster
5 (125 mm)	1 1/4 (32 mm)	TPR-80	Precision	220	100	600a 29K125rKPF	600h29K125rKPF	600r 29K125rKPF
		PU-95	Precision	220	100	600a 29K125vKPF	600h 29K125vKPF	600r 29K125vKPF
		TPR Antistatic	Precision	220	100	600a 29K125aKPF	600h 29K125aKPF	600r 29K125aKPF
		PU Antistatic	Precision	220	100	600a 29K125yKPF	600h 29K125yKPF	600r 29K125yKPF
		Overall Height: 6.45" - 164 mm						
Offset: 1.67" - 42.5 mm								

### Stem Mount

(alter suffix "PF" with one of the following options)

Part #	Mounting Style	Description
GD	Threaded Stem	.472" x .984" - 12 mm x 25 mm
GU	Threaded Stem (riveted)	1/2" - 13 x 1 (stem pitch 1.95)
422*	Solid Stem/metric	.708" x 1.77" - 18 mm; M8/19
522*	Solid Stem/metric	.944" x 1.77" - 24 mm x 45 mm; M8/19

\*Adapters to fit larger diameter tubing sizes.

## Series 364/367/378

Load Capacity 180-220 Lbs.



#378H...



#364A...



#367H...

### Product Features:

- Strong Apparatus Casters with double ball bearing, swivel raceway
- Dust and splash protected by extra plastic ring seal
- Large selection of mounting and wheel options
- Standard Zinc Chromatized Finish & others optional
- Nut and Bolt axle on all diameters
- Easy maneuverability

### Brakes/Locks

367H-378H

Trailing Total Lock Brake - locks wheel and swivel simultaneously with gray release tab on 367 and black on 378

367R-378R

Directional Lock—locks raceway for straight line tracking. Appearance same as 367H, 378H total lock brake except the release tab is green on 378 and gray on 367 with green brake shoe.

364A

Rigid Casters.

CASTERS

### 364/367/378 Wheels

	Diameter	Profile	Bearings	Tread	Durometer	Threadguards
29K/v	3" - 6"	Round	Precision	PU Gray	95	Plastic
29K/r	3" - 6"	Round	Precision	TPR Gray	80	Plastic
29K/a	3" - 6"	Round	Precision	TPR Gray	80	Plastic
29K/y	4" - 6"	Round	Precision	PU Gray	95	Plastic
29G/r	3" - 5"	Round	Plain Bore	TPR Gray	80	None
29G/v	4" - 5"	Round	Plain Bore	PU Gray	95	None
29G/a	5"	Round	Plain Bore	TPR Gray	95	None
32C/a	3" - 8"	Flat	Cup & Cone	Rubber Black	80	Metal
32C/b	3" - 8"	Flat	Cup & Cone	Std Rubber Gray	80	Metal
32C/w	4" - 8"	Flat	Cup & Cone	Extra Soft Gray	55	Metal
00G/x	3" - 5"	Flat	Plain Bore	Black Nylon	100	None
00G/p	3" - 5"	Flat	Plain Bore	White Nylon	100	None



## Series 367/364

Load Capacity 220 Lbs.

Wheel Diameter (In.)	Tread Width (In.)	Wheel Material	Wheel Bearing	Load Rating (Lbs.) (Kg)		Swivel Caster	Rigid Caster	Total Lock Caster	Directional Lock Caster
3 (80 mm)	1 1/4" (32 mm)	Nylon/Black	Plain Bore	220	100	367a 00G080xZPF	364a 00G080xZPF	367h 00G080xZPF	367r 00G080xZPF
		Nylon/White	Plain Bore	220	100	367a 00G080pZPF	364a 00G080pZPF	367h 00G080pZPF	367r 00G080pZPF
		TPR/Nylon	Plain Bore	220	100	367a 29G080rZPF	364a 29G080rZPF	367h 29G080rZPF	367r 29G080rZPF
		TPR/Nylon	Precision	220	100	367a 29K080rZPF	364a 29K080rZPF	367h 29K080rZPF	367r 29K080rZPF
		TPR/Nylon Antistatic	Precision	220	100	367a 29K080vZPF	364a 29K080aZPF	367h 29K080aZPF	367r 29K080aZPF
		PU/Nylon	Precision	220	100	367a 29K080vZPF	364a 29K080vZPF	367h 29K080vZPF	367r 29K080vZPF
		Rubber/Steel	Cup & Cone	220	100	367a 32C080bZPF	364a 32C080bZPF	367h 32C080bZPF	367r 32C080bZPF
Rubber/Steel Antistatic	Cup & Cone	220	100	367a 32C080aZPF	364a 32C080aZPF	367h 32C080aZPF	367r 32C080aZPF		
4 (100 mm)	1 1/4" (32 mm)	Nylon/Black	Plain Bore	220	100	367a 00G100xZPF	364a 00G100xZPF	367h 00G100xZPF	367r 00G100xZPF
		Nylon/White	Plain Bore	220	100	367a 00G100pZPF	364a 00G100pZPF	367h 00G100pZPF	367r 00G100pZPF
		TPR/Nylon	Plain Bore	220	100	367a 29G100rZPF	364a 29G100rZPF	367h 29G100rZPF	367r 29G100rZPF
		TPR/Nylon	Precision	220	100	367a 29K100rZPF	364a 29K100rZPF	367h 29K100rZPF	367r 29K100rZPF
		TPR/Nylon Antistatic	Precision	220	100	367a 29K100aZPF	364a 29K100aZPF	367h 29K100aZPF	367r 29K100aZPF
		PU/Nylon	Plain Bore	220	100	367a 29G100vZPF	364a 29G100vZPF	367h 29G100vZPF	367r 29G100vZPF
		PU/Nylon	Precision	220	100	367a 29K100vZPF	364a 29K100vZPF	367h 29K100vZPF	367r 29K100vZPF
		PU/Nylon Antistatic	Precision	220	100	367a 29K100yZPF	364a 29K100yZPF	367h 29K100yZPF	367r 29K100yZPF
		Rubber/Steel	Cup & Cone	220	100	367a 32C100bZPF	364a 32C100bZPF	367h 32C100bZPF	367r 32C100bZPF
Rubber/Steel Antistatic	Cup & Cone	220	100	367a 32C100aZPF	364a 32C100aZPF	367h 32C100aZPF	367r 32C100aZPF		
Rubber/Steel Soft	Cup & Cone	220	100	367a 32C100wZPF	364a 32C100wZPF	367h 32C100wZPF	367r 32C100wZPF		
5 (125 mm)	1 1/4" (32 mm)	Nylon/Black	Plain Bore	220	100	367a 00G125xZPF	364a 00G125xZPF	367h 00G125xZPF	367r 00G125xZPF
		Nylon/White	Plain Bore	220	100	367a 00G125pZPF	364a 00G125pZPF	367h 00G125pZPF	367r 00G125pZPF
		TPR/Nylon	Plain Bore	220	100	367a 29G125rZPF	364a 29G125rZPF	367h 29G125rZPF	367r 29G125rZPF
		TPR/Nylon	Precision	220	100	367a 29K125rZPF	364a 29K125rZPF	367h 29K125rZPF	367r 29K125rZPF
		TPR/Nylon Antistatic	Plain Bore	220	100	367a 29G125aZPF	364a 29G125aZPF	367h 29G125aZPF	367r 29G125aZPF
		TPR/Nylon Antistatic	Precision	220	100	367a 29K125aZPF	364a 29K125aZPF	367h 29K125aZPF	367r 29K125aZPF
		PU/Nylon	Plain Bore	220	100	367a 29G125vZPF	364a 29G125vZPF	367h 29G125vZPF	367r 29G125vZPF
		PU/Nylon	Precision	220	100	367a 29K125vZPF	364a 29K125vZPF	367h 29K125vZPF	367r 29K125vZPF
		PU/Nylon Antistatic	Precision	220	100	367a 29K125yZPF	364a 29K125yZPF	367h 29K125yZPF	367r 29K125yZPF
Rubber/Steel	Cup & Cone	220	100	367a 32C125bZPF	364a 32C125bZPF	367h 32C125bZPF	367r 32C125bZPF		
Rubber/Steel Antistatic	Cup & Cone	220	100	367a 32C125aZPF	364a 32C125aZPF	367h 32C125aZPF	367r 32C125aZPF		
Rubber/Steel Soft	Cup & Cone	220	100	367a 32C125wZPF	364a 32C125wZPF	367h 32C125wZPF	367r 32C125wZPF		
6 (150 mm)	1 1/4" (32 mm)	TPR/Nylon	Precision	220	100	367a 29K150rZPF	364a 29K150rZPF	367h 29K150rZPF	367r 29K150rZPF
		TPR/Nylon Antistatic	Precision	220	100	367a 29K150aZPF	364a 29K150aZPF	367h 29K150aZPF	367r 29K150aZPF
		PU/Nylon	Precision	220	100	367a 29K150vZPF	364a 29K150vZPF	367h 29K150vZPF	367r 29K150vZPF
		PU/Nylon Antistatic	Precision	220	100	367a 29K150yZPF	364a 29K150yZPF	367h 29K150yZPF	367r 29K150yZPF
		Rubber/Steel	Cup & Cone	220	100	367a 32C150bZPF	364a 32C150bZPF	367h 32C150bZPF	367r 32C150bZPF
		Rubber/Steel Antistatic	Cup & Cone	220	100	367a 32C150aZPF	364a 32C150aZPF	367h 32C150aZPF	367r 32C150aZPF
Rubber/Steel Soft	Cup & Cone	220	100	367a 32C150wZPF	364a 32C150wZPF	367h 32C150wZPF	367r 32C150wZPF		
8 (200 mm)	1 1/4" (32 mm)	Rubber/Steel	Cup & Cone	220	100	367a 32C200bZPF	364a 32C200bZPF	367h 32C200bZPF	367r 32C200bZPF
		Rubber/Steel Antistatic	Cup & Cone	220	100	367a 32C200aZPF	364a 32C200aZPF	367h 32C200aZPF	367r 32C200aZPF
		Rubber/Steel Soft	Cup & Cone	220	100	367a 32C200wZPF	364a 32C200wZPF	367h 32C200wZPF	367r 32C200wZPF





#378H...

**Series 378/364**

**Load Capacity 220 Lbs.**

Wheel Diameter (In.)	Tread Width (In.)	Wheel Material	Wheel Bearing	Load Rating (Lbs.) (Kg)		Swivel Caster	Rigid Caster No.	Total Lock	Directional Lock
4 (100 mm)	1 1/4" (32 mm)	Nylon/Black	Plain Bore	220	100	378a 00G100xZPF	364a 00G100xZPF	378h 00G100xZPF	378r 00G100xZPF
		Nylon/White	Plain Bore	220	100	378a 00G100pZPF	364a 00G100pZPF	378h 00G100pZPF	378r 00G100pZPF
		TPR/Nylon	Plain Bore	220	100	378a 29G100rZPF	364a 29G100rZPF	378h 29G100rZPF	378r 29G100rZPF
		TPR/Nylon	Precision	220	100	378a 29K100rZPF	364a 29K100rZPF	378h 29K100rZPF	378r 29K100rZPF
		TPR/Nylon Antistatic	Precision	220	100	378a 29K100aZPF	364a 29K100aZPF	378h 29K100aZPF	378r 29K100aZPF
		PU/Nylon	Plain Bore	220	100	378a 29G100vZPF	364a 29G100vZPF	378h 29G100vZPF	378r 29G100vZPF
		PU/Nylon	Precision	220	100	378a 29K100vZPF	364a 29K100vZPF	378h 29K100vZPF	378r 29K100vZPF
		PU/Nylon Antistatic	Precision	220	100	378a 29K100yZPF	364a 29K100yZPF	378h 29K100yZPF	378r 29K100yZPF
		Rubber/Steel	Cup & Cone	220	100	378a 32C100bZPF	364a 32C100bZPF	378h 32C100bZPF	378r 32C100bZPF
		Rubber/Steel Antistatic	Cup & Cone	220	100	378a 32C100aZPF	364a 32C100aZPF	378h 32C100aZPF	378r 32C100aZPF
Rubber/Steel Soft	Cup & Cone	220	100	378a 32C100wZPF	364a 32C100wZPF	378h 32C100wZPF	378r 32C100wZPF		
5 (125 mm)	1 1/4" (32 mm)	Nylon/Black	Plain Bore	220	100	378a 00G125xZPF	364a 00G125xZPF	378h 00G125xZPF	378r 00G125xZPF
		Nylon/White	Plain Bore	220	100	378a 00G125pZPF	364a 00G125pZPF	378h 00G125pZPF	378r 00G125pZPF
		TPR/Nylon	Plain Bore	220	100	378a 29G125rZPF	364a 29G125rZPF	378h 29G125rZPF	378r 29G125rZPF
		TPR/Nylon	Precision	220	100	378a 29K125rZPF	364a 29K125rZPF	378h 29K125rZPF	378r 29K125rZPF
		TPR/Nylon Antistatic	Plain Bore	220	100	378a 29G125aZPF	364a 29G125aZPF	378h 29G125aZPF	378r 29G125aZPF
		TPR/Nylon Antistatic	Precision	220	100	378a 29K125aZPF	364a 29K125aZPF	378h 29K125aZPF	378r 29K125aZPF
		PU/Nylon	Plain Bore	220	100	378a 29G125vZPF	364a 29G125vZPF	378h 29G125vZPF	378r 29G125vZPF
		PU/Nylon	Precision	220	100	378a 29K125vZPF	364a 29K125vZPF	378h 29K125vZPF	378r 29K125vZPF
		PU/Nylon Antistatic	Precision	220	100	378a 29K125yZPF	364a 29K125yZPF	378h 29K125yZPF	378r 29K125yZPF
		Rubber/Steel	Cup & Cone	220	100	378a 32C125bZPF	364a 32C125bZPF	378h 32C125bZPF	378r 32C125bZPF
Rubber/Steel Antistatic	Cup & Cone	220	100	378a 32C125aZPF	364a 32C125aZPF	378h 32C125aZPF	378r 32C125aZPF		
Rubber/Steel Soft	Cup & Cone	220	100	378a 32C125wZPF	364a 32C125wZPF	378h 32C125wZPF	378r 32C125wZPF		



## Series 367/364/378

Load Capacity 180-220 Lbs.



#367H...



#378H...



#364A...

## Specification

Diameter	3" 80 mm	4" 100 mm	5" 125 mm	6" 150 mm	8" 200 mm
Load Height	4.60" 117 mm	5.39" 137 mm	6.39" 162.5 mm	7.44" 189 mm	9.48" 241 mm
Offset	1.73" 44 mm	1.65" 42 mm	1.73" 44 mm	2.00" 51 mm	2.40" 61 mm
Caster Weight	1 lb/14 oz. 851 gr.	2 lb/5 oz. 1048 gr.	2 lb/9 oz. 1,162 gr.	3 lb/2 oz. 1,418 gr.	5 lb 2,268 gr.

Axle Diameter: .314" - 8mm

Plate Sizes:

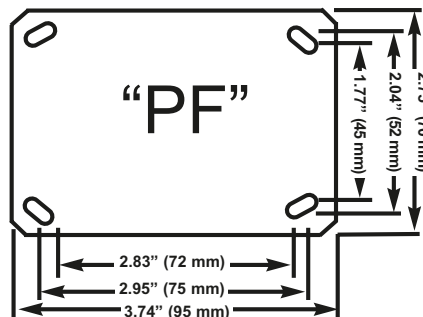
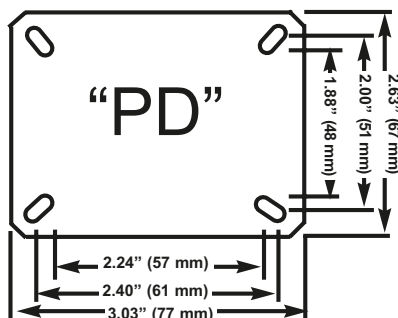


Plate / Thick  
.0937"  
2.37 mm

**Hollow Kingpin/Stem Mount** (alter suffix "PF" with one of the following options)

Part #	Mounting Style	Description
LD	Hollow Kingpin	.480" - fits 7/16" or 12 mm bolts
LU	Hollow Kingpin	.501" - fits 1/2" bolts
GU	Threaded Stem (riveted)	1/2" - 13 x 1 (stem pitch 1.95) 12.7 mm x 25.4 mm
R1	Expansion Stem	See chart on next page for sizes
029	Solid Stem	1" x 1-3/4" - Threaded hole M8/19 mm
422*	Solid Stem/metric	18 mm x 45 mm (.708" x 1.77"); M8/19
522*	Solid Stem/metric	24 mm x 45 mm (.944" x 1.77"); M8/19
116*	Solid Stem/metric	18 mm x 60 mm (.708" x 2.36"); M6/30

\*Reducer bushing to fit 10 mm or 3/8" bolts please order part #09456 (Bushing is compatible with all "LD" - Hollow King Pin mounts.

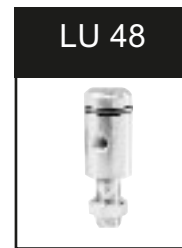
\*10 mm bolt available please order part # 09516

\*12 mm bolt available please order part # 09509

CASTERS

**Series 367/364/378**

Load Capacity 180-220 Lbs.



Other Stems available used with "LU" hollow kingpin casters shown above.

Part #	Mounting Style	Description
LU 37	Grip Ring Pin	7/16" x 1-29/32
LU 40	Grip Ring Pin	7/16" x 1-3/8"
LU 48	Grip Ring Pin	1" x 1-3/4" Solid Stem with Threaded Hole (M8/19 mm)

\*All above stems supplied separately with nut, unassembled (nut part # 09427)

**Expansion Hardware Fittings**



EXPANSION STEM ADAPTERS		
ROUND TUBING		
Catalog #	Range (Inches)	RANGE (Metric)
R66	.700 - .775	17.8 - 19.7
R67	.779 - .854	19.8 - 21.7
R68	.858 - .972	21.8 - 24.7
R69	.976 - 1.12	24.8 - 28.7
R70	1.13 - 1.28	28.8 - 32.7
SQUARE TUBING		
R71	.771 - .822	19.6 - 20.9
R72	.826 - .862	21.0 - 21.9
R73	.866 - .944	22.0 - 24.0
R75	1.01 - 1.12	25.8 - 28.5
R76	1.12 - 1.16	28.6 - 29.5
R77	1.16 - 1.28	29.6 - 32.7
R79	1.36 - 1.45	34.6 - 37.0

All above adapters supplied separately, unassembled.

Note: add stem suffix and one of the following adapter part # options Example: 367A 32C125bZ422-22.2

SOLID STEM ADAPTERS				
Solid Stem M8/19 mm threaded hole				
Stem #	Stem Diameter	Stem Length	Adapters Available	Adapter Part #
422	18 mm (.708")	45 mm (1.77")	22.2 mm (.866")	-22.2
522	24 mm (.944")	45 mm (1.77")	27.8 mm (1.09")	-27.2
522	24 mm (.944")	45 mm (1.77")	28 mm (1.10")	-28.0
Solid Stem M6/18 mm threaded hole				
116	18 mm (.708")	60 mm (2.36")	22.2 mm (.875") Round/Square	-22.2 Round -22.2 Square
For 1" x 1-3/4" solid stem with M8/19mm (see "029" stem on previous page)				

## Central Locking Caster

### Central Locking Brakes

Hospital beds must be reliable and easy to manoeuvre. Modern hospital beds are therefore equipped with central locking brake mechanisms, which enable time and energy-saving operation.

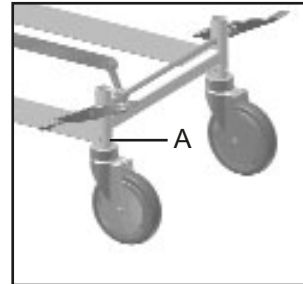
The mechanism allows a central lever to select the following modes of operation:

1. Motion straight ahead  
(only when equipped with directional locking brake mode)
2. Changes of direction: free mobility of all the casters
3. Full locking of all four casters

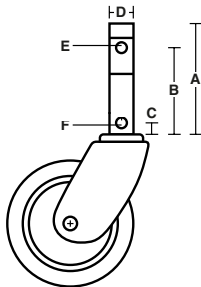
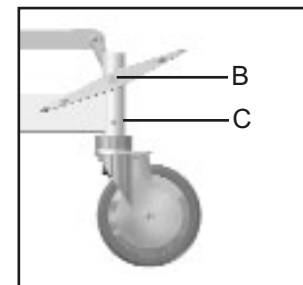
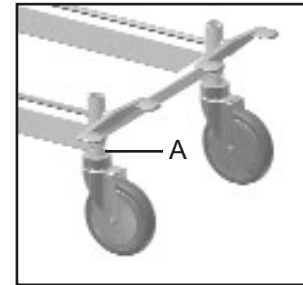
Type I: Locking lever (hex cam) across travel direction

Type II: Locking lever (hex cam) in travel direction

Type I



Type II



CASTERS

### Standard Stem

When ordering, please indicate: options

Stem Type	Metric		
Length of Stem: (A)	99.5 mm	92 mm	50 mm
Hex Cam Height: (B)	78.5 mm	71 mm	34 mm
*Threaded Hole Height: (C)	18 mm or 19 mm	18 mm or 19 mm	7 mm
Diameter of Stem: (D)	27.8 mm*, 27.8 mm*, 32 mm		
**Diameter of Hex Cam: (E)	US standard to fit 7/16" hex rod		
Diameter of Threaded Hole: (F)	M8 or M6, M8 or M6, M6		

\* Stem is supplied with 4 threaded holes

\* Adaptors can be supplied in the following outside diameter:

Round tubing: 28 mm; 28.4 mm; 28.9 mm; 33.65 mm

Square tubing: 33.64 mm

**Series 390**

Load Capacity 220-264 Lbs.



#390Q or R...

**Product Features:**

- Double Ball bearing swivel raceways.
- Standard with gray TPR, non-marking wheel with precision bearing and plastic threadguards
- Large Selection of mounting and wheel options
- Standard Zinc Chromatized Finish & others optional
- Nut and Bolt axle on all diameters
- Enclosed construction with operating cam to suit 7/16" hex bars
- Protected from dust & water by plastic sealing ring

**Brakes/Locks**

- 390Q Central Locking system - Locks wheel and swivel simultaneously  
2 functions - Total Lock or Swivel Free
- 390R Directional Lock - Locks raceway for straight line tracking  
3 functions - Total Lock , Swivel Lock or Swivel Free

CASTERS

Wheel Diameter (In.)	Tread Width (In.)	Wheel Material	Wheel Bearing	Load Rating (Lbs.) (Kg)		Total Lock Caster	Total Directional Lock Caster
3 (80 mm)	1 1/4 (32 mm)	Rubber/Steel	Cup & Cone	220	100	390q32C080bZ	390r32C080bZ
		Rubber/Steel/Antistatic	Cup & Cone	220	100	390q32C080aZ	390r32C080aZ
		TPR/Nylon	Precision	220	100	390q29K080rZ	390r29K080rZ
		TPR/Nylon/Antistatic	Precision	220	100	390q29K080aZ	390r29K080aZ
		Polyurethane/Nylon	Precision	220	100	390q29K080vZ	390r29K080vZ
4 (100 mm)	1 1/4 (32 mm)	Rubber/Steel	Cup & Cone	220	100	390q32C100bZ	390r32C100bZ
		Rubber/Steel/Antistatic	Cup & Cone	220	100	390q32C100aZ	390r32C100aZ
		TPR/Nylon	Precision	220	100	390q29K100rZ	390r29K100rZ
		TPR/Nylon/Antistatic	Precision	220	100	390q29K100aZ	390r29K100aZ
		Polyurethane/Nylon	Precision	220	100	390q29K100vZ	390r29K100vZ
5 (125 mm)	1 1/4 (32 mm)	Rubber/Steel	Cup & Cone	220	100	390q32C125bZ	390r32C125bZ
		Rubber/Steel/Antistatic	Cup & Cone	220	100	390q32C125aZ	390r32C125aZ
		TPR/Nylon	Precision	220	100	390q29K125rZ	390r29K125rZ
		TPR/Nylon/Antistatic	Precision	220	100	390q29K125aZ	390r29K125aZ
		Polyurethane/Nylon	Precision	220	100	390q29K125vZ	390r29K125vZ
6 (150 mm)	1 1/4 (32 mm)	Rubber/Steel	Cup & Cone	264	120	390q32C150bZ	390r32C150bZ
		Rubber/Steel/Antistatic	Cup & Cone	264	120	390q32C150aZ	390r32C150aZ
		TPR/Nylon	Precision	264	120	390q29K150rZ	390r29K150rZ
		TPR/Nylon/Antistatic	Precision	264	120	390q29K150aZ	390r29K150aZ
		Polyurethane/Nylon	Precision	264	120	390q29K150vZ	390r29K150vZ
8 (200 mm)	1 1/4 (32 mm)	Rubber/Steel	Cup & Cone	264	120	390q32C200bZ	390r32C200bZ
		Rubber/Steel/Antistatic	Cup & Cone	264	120	390q32C200aZ	390r32C200aZ
		Polyurethane/Steel	Cup & Cone	264	120	390q32C200vZ	390r32C200vZ

Note: Above mentioned casters available with precision ball bearing in raceway. Consult Factory.



**Series 390**

Load Capacity 220 Lbs.



#390Q or R...

**Specification**

<b>Diameter</b>	3" 80 mm	4" 100 mm	5" 125 mm	6" 150 mm	8" 200 mm
<b>Load Height</b>	4.45" 113 mm	5.23" 133 mm	6.22" 158 mm	7.428" 185 mm	9.33" 237 mm
<b>Offset</b>	1.71" 43.5 mm	1.63" 41 mm	1.69" 43 mm	2.00" 51 mm	2.4" 61 mm
<b>Caster Weight</b>	2 lb/1.3 oz. 944 gr.	2 lb/4 oz. 1020 gr.	3 lb/5 oz. 1,503 gr.	3 lb/15 oz. 1,786 gr.	5 lb/9 oz. 2,523.1 gr.

\* All overall height includes raceway support washer.

**CASTERS**

**Central Locking Caster Accessories**

<b>Part Number</b>	<b>9511077C</b>	<b>9511078C</b>	<b>9511065C</b>	<b>9511066C</b>	<b>9511019</b>
<b>Lever Type</b>	<b>Double</b>	<b>Double</b>	<b>Single</b>	<b>Single</b>	<b>Link*</b>
<b>Pedal Style</b>	<b>Flat</b>	<b>Flat</b>	<b>Flat</b>	<b>Flat</b>	-----
<b>Overall Width</b>	<b>2.32"</b>	<b>2.32"</b>	<b>1.87"</b>	<b>1.87"</b>	<b>1.06"</b>
<b>Overall Length</b>	<b>8.98"</b>	<b>8.98"</b>	<b>4.80"</b>	<b>4.80"</b>	<b>3.42"</b>
<b>Pedal Width</b>	<b>.173"</b>	<b>.173"</b>	<b>4.80"</b>	<b>4.80"</b>	-----
<b>Pedal Length</b>	<b>1.96"</b>	<b>1.96"</b>	-----	-----	-----
<b>Finish</b>	<b>Chrome</b>	<b>Chrome</b>	<b>Chrome</b>	<b>Chrome</b>	<b>Die cast</b>
<b>Left/Right/Both</b>	<b>Left</b>	<b>Right</b>	<b>Right</b>	<b>Left</b>	-----

\* Transmission Link - Center to Center 63.75 mm - 2.5" - Options available  
Central Locking Levers to fit 7/16" Hex Cams

**Series 395**

Load Capacity 220-264 Lbs.

Hospital bed caster with plunger style central lock brake



#395Q or R...

**Product Features:**

- Double ball bearing swivel raceways. Standard with gray TPR, non marking wheel with precision bearing and plastic threadguards
- Large Selection of mounting and wheels options
- Standard Zinc Chromatized Finish & others optional
- Nut and Bolt axle on all diameters

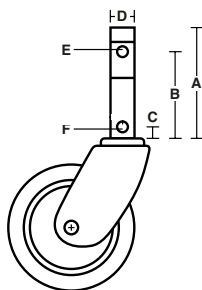
**Brakes/Locks**

- 395Q Central locking system - Locks wheel and swivel simultaneously  
2 functions - Total Lock or Swivel Free
- 395R Directional Lock - Locks raceway for straight line tracking  
3 functions - Total Lock , Swivel Lock or Swivel Free

Wheel Diameter (In.)	Tread Width (In.)	Wheel Material	Wheel Bearing	Load Rating (Lbs.) (Kg)		Total Lock Caster	Total Directional Lock Caster
4 (100 mm)	1 1/4 (32 mm)	Rubber/Steel	Cup & Cone	220	100	395q32C100bZ029	395r32C100bZ029
		Rubber/Steel/Antistatic	Cup & Cone	220	100	395q32C100aZ029	395r32C100aZ029
		TPR/Nylon	Precision	220	100	395q29K100rZ029	395r29K100rZ029
		TPR/Nylon/Antistatic	Precision	220	100	395q29K100aZ029	395r29K100aZ029
		Polyurethane/Nylon	Precision	220	100	395q29K100vZ029	395r29K100vZ029
		Polyurethane/Nylon/Antistatic	Precision	220	100	395q29K100yZ029	395r29K100yZ029
5 (125 mm)	1 1/4 (32 mm)	Rubber/Steel	Cup & Cone	220	100	395q32C125bZ029	395r32C125bZ029
		Rubber/Steel/Antistatic	Cup & Cone	220	100	395q32C125aZ029	395r32C125aZ029
		TPR/Nylon	Precision	220	100	395q29K125rZ029	395r29K125rZ029
		TPR/Nylon/Antistatic	Precision	220	100	395q29K125aZ029	395r29K125aZ029
		Polyurethane/Nylon	Precision	220	100	395q29K125vZ029	395r29K125vZ029
		Polyurethane/Nylon/Antistatic	Precision	220	100	395q29K125yZ029	395r29K125yZ029
6 (150 mm)	1 1/4 (32 mm)	Rubber/Steel	Cup & Cone	264	120	395q32C150bZ029	395r32C150bZ029
		Rubber/Steel/Antistatic	Cup & Cone	264	120	395q32C150aZ029	395r32C150aZ029
		TPR/Nylon	Precision	264	120	395q29K150rZ029	395r29K150rZ029
		TPR/Nylon/Antistatic	Precision	264	120	395q29K150aZ029	395r29K150aZ029
		Polyurethane/Nylon	Precision	264	120	395q29K150vZ029	395r29K150vZ029
		Polyurethane/Nylon/Antistatic	Precision	264	120	395q29K150yZ029	395r29K150yZ029

CASTERS

**Standard Stem**



Stem Type	Metric	Inches
Length of Stem: (A)	73 mm	2.874"
*Threaded Hole Height: (C)	19 mm	.748"
Diameter of Stem: (D)	25.4 mm	1"
Diameter of Threaded Hole: (F)	8 mm	.314"

\*Standard position for threaded hole is in direction of travel. Different stem options available, please consult factory.



## Series 380

### Product Features:

- Hygienic, non corrosive, completely washable in disinfection booth
- Smooth surfaced shape, integrated threadguard
- Weight saving of over 20% against steel casters
- Extremely low starting and rolling resistance
- Easy to maneuver, very silent running to avoid stress to staff and patient
- Interchangeable caster systems
- Composite housing
- Can be supplied in many colors
- Sealed persion ball bearing
- Smooth selection function
- Patent pending



#380...

### Brakes/Locks

380Q Central locking system - locks wheel and swivel simultaneously  
2 functions - Total Lock or Swivel free

380R Directional lock - locks raceway for straight line tracking  
3 functions - Total Lock , Swivel Lock or Swivel free

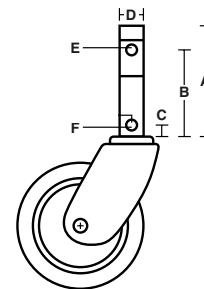
CASTERS

Wheel Diameter (In.)	Tread Width (In.)	Wheel Material	Wheel Bearing	Load Rating (Lbs.)	Load Rating (Kg)	Total Lock Caster	Directional Lock Caster
5 (125 mm)	1 1/4 (32 mm)	Polyurethane/Nylon	Precision	220	120	380q 29K150vK	380r 29K150rK
		Nylon	Precision	264	120	380q 29K150vK	380r 29K150vK
6 (150 mm)	1 1/4 (32 mm)						

For various stem options please review measurements given on page 109

### Specification

Diameter	5" 125 mm	6" 150 mm
Load Height	6.338" 161 mm	7.28" 185 mm
Offset	1.614" 41 mm	1.968" 50 mm
Caster Weight	2 lb/12.4 oz. 1,258.72 gr.	2 lb/12.4 oz. 1,258.72 gr.



Our standard colors are Gray housing (RAL 7038); Gray Wheel (RAL 7011).  
We can provide any RAL color with minimum quantity orders.





**Series 389/385**

Load Capacity 442-528 Lbs.

**Product Features:**

- Heavy duty central locking caster with good smooth running features and high load capacity

Available in powder coated or zinc, with precision ball bearing in the raceway (completely closed)

**Brakes/Locks**

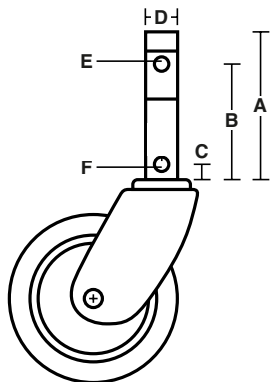
- 389 Has the same brake function as caster 390 (see page 115)
- 385 Is the corresponding swivel caster

Wheel Diameter (In.)	Tread Width (In.)	Wheel Material	Wheel Bearing	Load Rating (Lbs.)	Load Rating (Kg)	Total Lock Caster	Total Directional Caster	Swivel Caster
6 (160 mm)	1 2/3 (42 mm)	Rubber Black/Steel	Precision	442	201	389q 08K160rP016	389r 08K160rP016	385a 08K160cP016
8 (200 mm)	1.77 (45 mm)	Rubber Black/Steel	Precision	528	240	389q 08K200rP016	389r 08K200rP016	385a 08K200cP016

**Standard Stem**

Stem Type	Metric	Inches
Length of Stem: (A)	99.5 mm	3.91"
Hex Cam Height: (B)	78.5 mm	3.09"
*Threaded Hole Height: (C)	19 mm	0.748"
Diameter of Stem: (D)	27.8 mm	1.094"
**Diameter of Hex Cam: (E)	11.11 mm	7/16"
Diameter of Threaded Hole: (F)	8 mm	.314"

\*Standard position for threaded hole is in direction of travel  
 \*\*Standard position for Hex cam is opposite direction of travel



**Standard Stem on Series 385**

Stem Type	Metric	Inches
Length of Stem: (A)	99.5 mm	3.91"
*Threaded Hole Height: (C)	19 mm	.748"
Diameter of Stem: (D)	27.8 mm	1.094"
Diameter of Threaded Hole: (F)	8 mm	.314"

CASTERS



## Series 802

Load Capacity 220 Lbs.

### Product Features:

- Reliable, solid conveyor belt caster with double ball bearing in raceway.
- Easy maneuverability



## Brakes/Locks

802 With brake ring. When a supermarket trolley is taken onto the conveyor, the wheel rims sink into the grooves of the belt. The brake ring is pushed upwards against the brake segment housed in the yoke. This gives an even braking effect.

## Wheels

	Diameter	Profile	Bearings	Tread	Durometer	Threadguards
62C	5" 125 mm	Flat	Cup & Cone	Polyurethane	95	Metal

*Polyamide differential wheel with polyurethane rims and black hard rubber brake ring.*

Wheel Diameter (In.)	Tread Width (In.)	Rim Width (In.)	Wheel Material	Wheel Bearing	Load Rating (Lbs.)	Load Rating (Kg)	Swivel Caster
5 (125 mm)	1.18 (29.6 mm)	.16	Polyamide/Polyurethane	Cup & Cone	220	100	802a 62C125vZld

## Hollow Kingpin/Stem Mount

(alter suffix "PF" with one of the following options)

Part #	Mounting Style	Description
LD	Hollow Kingpin	.480" - fits 7/16" or 12 mm bolts

\*Reducer bushing to fit 10 mm or 3/8" bolts please order part #09456  
(Bushing is compatible with all "LD" - Hollow King Pin mounts.)

**176**

Wheel Diameter (In.)	Tread Width (In.)	Wheel Material	Wheel Bearing	Load Rating (Lbs.) (Kg)		Swivel Caster	Rigid Caster
<b>2</b> (50 mm)	<b>3/4</b> (18 mm)	Rubber/Grey	Nylon	88	40	177a 33C050bZPS	176a 33C050bZPS



<b>Overall Height</b>	<b>150 mm/5.91"</b>
<b>Plate Dimensions</b>	<b>59.5 x 48 mm/2.34" x 1.89</b>
<b>Bolt Hole Centers Vertical</b>	<b>22.5 mm/0.89"</b>
<b>Bolt Hole Centers Horizontal</b>	<b>38 mm/1.50"</b>
<b>Bolt Hole Diameter</b>	<b>5.3 mm/.21"</b>

#176: Plate can be removed and turned 90 degrees.

**119**



Wheel Diameter (In.)	Tread Width (In.)	Wheel Material	Shore Hardness	Load Rating (Lbs.) (Kg)		Caster
<b>2</b> (50 mm)	<b>3/4</b> (18 mm)	Black/Rubber	60°	110	50	119-050

#119: Steel wire construction with black rubber spherical wheel, threaded stem M14 x 1.5 x 44 mm with 2 hex nuts and rubber sealing for glass cutting tables.

**Wheels**



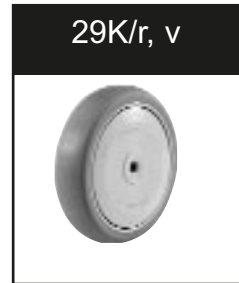
For use in series #: 340, 367, 378, 364



For use in series #: 340, 341, 360, 361, 367, 378, 390, 364



For use in series #: 340, 341, 360, 361



For use in series #: 367, 378, 390, 421, 600, 364



For use in series #: 340, 341, 360, 361



For use in series #: 341, 360, 361



For use in series #: 360, 361

**NOTE:** To order wheels only, please specify wheel code # above, diameter needed, and which caster 3 digit housing series # you will use wheel in. For example: 35C/v, 3 inch (or 75mm), #361.

# CONVERSION CHART



RHOMBUS



## Metric to Imperial — Note: 25.4mm = 1"

mm	ins.	mm	ins.	mm	ins.	mm	ins.	mm	ins.	mm	ins.	mm	ins.
1	0.0394	21	0.827	41	1.614	61	2.402	81	3.189	105	4.134	250	9.843
2	0.0787	22	0.866	42	1.654	62	2.441	82	3.228	110	4.331	300	11.811
3	0.1181	23	0.906	43	1.693	63	2.480	83	3.288	115	4.528	350	13.780
4	0.1575	24	0.945	44	1.732	64	2.520	84	3.307	120	4.724	400	15.748
5	0.1969	25	0.984	45	1.772	65	2.559	85	3.346	125	4.921	500	19.685
6	0.2362	26	1.024	46	1.811	66	2.598	86	3.386	130	5.118	550	21.653
7	0.2756	27	1.063	47	1.850	67	2.638	87	3.425	135	5.315	600	23.622
8	0.3150	28	1.102	48	1.890	68	2.677	88	3.465	140	5.512	650	25.590
9	0.3543	29	1.142	49	1.929	69	2.717	89	3.504	145	5.709	700	27.559
10	0.3937	30	1.181	50	1.969	70	2.756	90	3.543	150	5.906	750	29.527
11	0.433	31	1.220	51	2.008	71	2.795	91	3.563	155	6.102	800	31.496
12	0.472	32	1.260	52	2.047	72	2.835	92	3.622	160	6.299	850	33.464
13	0.512	33	1.299	53	2.087	73	2.874	93	3.661	165	6.496	900	35.433
14	0.551	34	1.339	54	2.126	74	2.913	94	3.701	170	6.693	950	37.401
15	0.591	35	1.378	55	2.165	75	2.953	95	3.740	175	6.890	1000	39.370
16	0.630	36	1.417	56	2.205	76	2.992	96	3.780	180	7.087	1050	41.338
17	0.669	37	1.457	57	2.244	77	3.031	97	3.819	185	7.283	1100	43.307
18	0.709	38	1.498	58	2.283	78	3.071	98	3.858	190	7.480	1150	45.275
19	0.748	39	1.535	59	2.323	79	3.110	99	3.898	195	7.677	1200	47.244
20	0.787	40	1.575	60	2.362	80	3.150	100	3.937	200	7.874	1250	49.212

## Kilogram to Pound — Note: 2.2046Lbs. = 1Kg. (Below is an approximation)

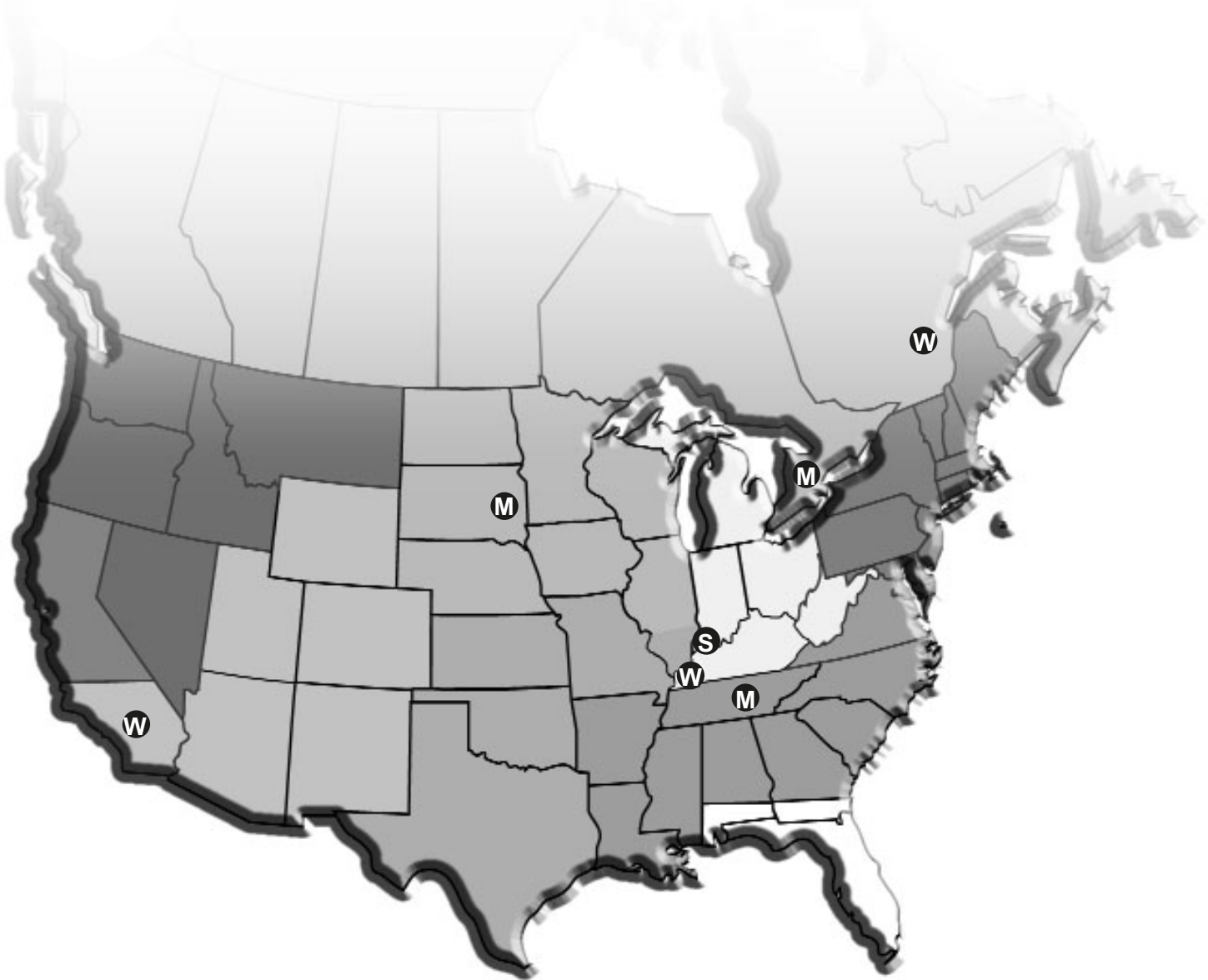
Kg.	Lbs.	Kg.	Lbs.	Kg.	Lbs.	Kg.	Lbs.	Kg.	Lbs.	Kg.	Lbs.	Kg.	Lbs.
1	2	16	35	31	68	46	101	105	231	180	397	255	562
2	4	17	37	32	71	47	104	110	243	185	408	260	573
3	7	18	40	33	73	48	106	115	254	190	419	265	584
4	9	19	42	34	75	49	108	120	265	195	430	270	595
5	11	20	44	35	77	50	110	125	276	200	441	275	606
6	13	21	46	36	79	55	121	130	287	205	452	280	617
7	15	22	49	37	82	60	132	135	298	210	463	290	639
8	18	23	51	38	84	65	143	140	309	215	474	300	661
9	20	24	53	39	86	70	154	145	320	220	485	400	881
10	22	25	55	40	88	75	165	150	331	225	496	500	1.101
11	24	26	57	41	90	80	176	155	342	230	507	600	1.322
12	26	27	60	42	93	85	187	160	353	235	518	700	1.542
13	29	28	62	43	95	90	198	165	364	240	529	800	1.762
14	31	29	64	44	97	95	209	170	375	245	540	900	1.983
15	33	30	66	45	99	100	220	175	386	250	551	1.000	2.203

## Celsius to Fahrenheit — Note: °C = (°F-32°) 5/9 °F = (9/5 °C) + 32°

°C	°F	°C	°F	°C	°F	°C	°F	°C	°F	°C	°F	°C	°F
-40	-40	6	43	16	61	26	79	36	97	50	122	110	230
-30	-22	7	45	17	63	27	81	37	99	55	131	120	245
-20	-4	8	46	18	64	28	82	38	100	60	140	130	266
-10	+14	9	48	19	66	29	84	39	102	65	149	140	284
0	32	10	50	20	68	30	86	40	104	70	158	150	302
1	34	11	52	21	70	31	88	41	106	75	167	160	320
2	36	12	54	22	72	32	90	42	108	80	178	170	338
3	37	13	55	23	73	33	91	43	109	85	185	180	356
4	39	14	57	24	75	34	93	44	111	90	194	190	374
5	41	15	59	25	77	35	95	45	113	100	212	200	392



# Manufacturing & Warehouses



M - Manufacturing  
S - Sales & Customer Service  
W - Warehouse

- Sales & Customer Service - Evansville, Indiana
- Manufacturing, Assembly Plant and Distribution Center - Portland, Tennessee  
Waterloo, Ontario; Canada
- Assembly Plant and Warehouse Facility - Quebec City Province Canada
- Faultless-Nutting Manufacturing Facility - Watertown, South Dakota
- Warehouse Facilities - City of Industry, California; Hopkinsville, Kentucky

## **DISTRIBUTION WORLDWIDE**

*\*Shaded Areas designate Factory Qualified Sales Representatives*



# CASTERFAX WORKSHEET

Please fax to  
1-800-FC-BY-FAX (1-800-322-9329)

I. Please describe your application or problem:

\_\_\_\_\_  
\_\_\_\_\_  
\_\_\_\_\_

Note: Fax drawings or blueprints if available

II. Floor Surface or Conditions

A. Floor Surface:

- Asphalt    Brick    Concrete    Steel    Hardwood    Carpet    Gravel  
Other (Describe): \_\_\_\_\_

B. Floor Surface Irregularities:

- Metal Scraps    Water    Threads    Fiberglass    Oil

C. Adverse Conditions:

Excessive heat \_\_\_\_\_ How long? \_\_\_\_\_ minutes  
Excessive cold \_\_\_\_\_ How long? \_\_\_\_\_ minutes

III. Load Capacity and Equipment Evaluation

- A. Maximum load on unit: \_\_\_\_\_ (lbs.)   Number of casters per unit: \_\_\_\_\_  
B. Total Weight of unit: \_\_\_\_\_ (lbs.)   Number of units: \_\_\_\_\_  
C. Total Load Capacity: \_\_\_\_\_ (Sum of A (lbs.) + B (lbs.))  
D. Overall Size of unit: \_\_\_\_\_ (length) x \_\_\_\_\_ (width) x \_\_\_\_\_ (height)  
E. Will unit transport or carry people? \_\_\_\_\_ (y/n)  
F. Will unit be subject to shock loading? \_\_\_\_\_ (y/n)  
G. Will unit be power towed? \_\_\_\_\_ (y/n)   If so, what speed? \_\_\_\_\_ MPH

IV. Special Requirements

- A. Caster height limitations: \_\_\_\_\_ (inches)  
B. Top plate size: \_\_\_\_\_ (length) x \_\_\_\_\_ (width)   Mounting hole spacing \_\_\_\_\_ x \_\_\_\_\_  
C. Wheel brake required? \_\_\_\_\_ (y/n)   Swivel lock? \_\_\_\_\_ (y/n)  
D. Sanitary (NSF) application? \_\_\_\_\_ (y/n)  
E. Stem mounting required? \_\_\_\_\_ (y/n)  
    If so, please specify:  
    Threaded Stem: Size \_\_\_\_\_ (threads per inch) \_\_\_\_\_ (length)  
    Tubular Mount: Gauge of tubing \_\_\_\_\_ (ga.) \_\_\_\_\_ (inside diameter)

### REQUIRED INFORMATION BELOW:

Fax Reply To: \_\_\_\_\_ Title: \_\_\_\_\_ Date: \_\_\_\_\_  
Company: \_\_\_\_\_ Fax: \_\_\_\_\_  
Address: \_\_\_\_\_ Phone: \_\_\_\_\_  
City: \_\_\_\_\_ State: \_\_\_\_\_ Zip: \_\_\_\_\_

Have Salesperson call



Faultless Caster Division  
Evansville, IN 47711  
Phone: **800-322-7359**  
**812-425-1011**

Fax: **800-322-9329**

Faultless Caster Canada  
Waterloo, Ontario; Canada N2L 4C7  
Phone: **800-567-5747**  
**519-725-2940**

Fax: **888-510-0944**  
**519-725-4797**